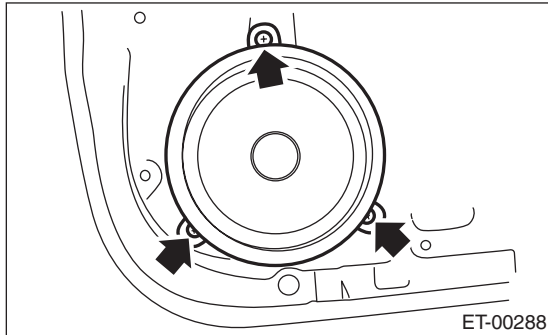


6. Rear Door

A: REMOVAL

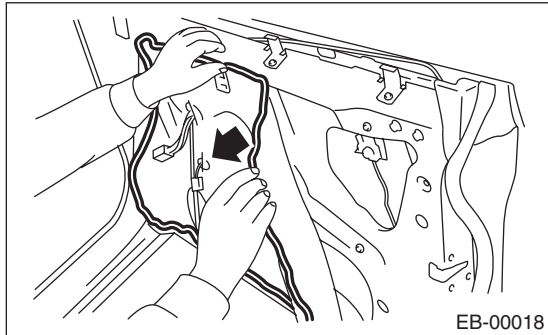
- 1) Disconnect the ground cable from battery.
- 2) Remove the rear door trim. <Ref. to EI-60, REAR DOOR, REMOVAL, Door Trim.>
- 3) Remove the rear door speaker assembly.
 - (1) Remove the screws.
 - (2) Disconnect the harness connector and remove the rear speaker assembly.



- 4) Remove the rear sealing cover.

CAUTION:

- **Carefully remove the butyl tape. Excessive force will easily break the cover.**
- **If the sealing cover gets broken, replace it with a new part.**
 - (1) Remove the screw to remove the door trim bracket.
 - (2) Carefully remove the butyl tape to remove the sealing cover.

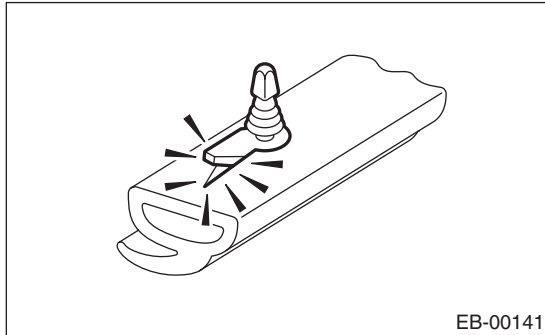


- 5) Remove the door sash and rear door glass. <Ref. to GW-30, REMOVAL, Rear Door Glass.>
- 6) Remove the rear door regulator and motor assembly. <Ref. to GW-32, REMOVAL, Rear Regulator and Motor Assembly.>
- 7) Remove the rear door latch. <Ref. to SL-49, REMOVAL, Rear Door Latch and Door Lock Actuator Assembly.>
- 8) Remove the rear outer handle. <Ref. to SL-46, REMOVAL, Rear Outer Handle.>

9) Remove the rear door weather strip.

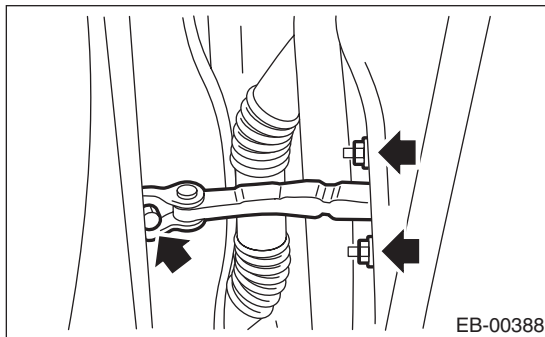
CAUTION:

If the weather strip clip is removed with excessive force, the weather strip may be damaged. Be sure to use clip remover to remove.



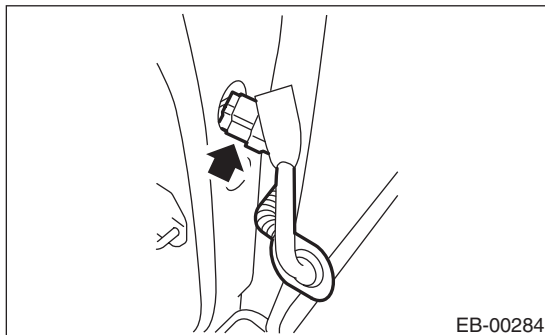
EB-00141

10) Remove the bolts and nuts to remove the door checker.



EB-00388

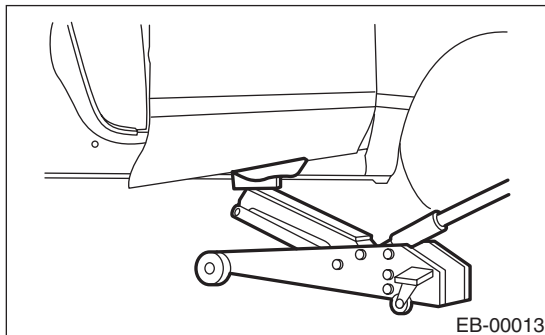
11) Disconnect the rear door harness connectors.



EB-00284

- (1) Remove the grommet and pull out the rear door harness connector from inside the center pillar.
- (2) Disconnect the rear door harness connectors.

12) Before removing the door panel, make the following preparations.



EB-00013

- (1) Put a wooden block on a floor jack and place the jack under the rear door.

Rear Door

EXTERIOR BODY PANELS

(2) Support the rear door with the jack to protect it from damage.

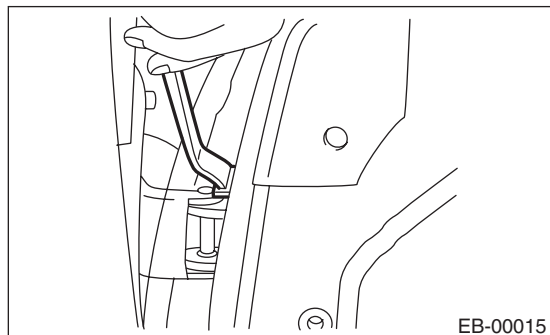
CAUTION:

Do not lift the door panel with a floor jack excessively. The door hinges may be damaged.

13) Remove the door-side bolts for upper and lower hinges to remove the rear door panel.

CAUTION:

Door panels are heavy. When removing and installing them, always work in a team of two or more persons.

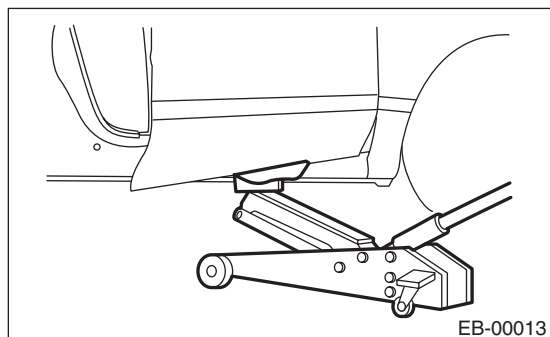


14) Remove the door hinge from vehicle.

B: INSTALLATION

1) Apply grease to the moving part of door hinges.

2) Put a wooden block on jack and place the rear door on that.



3) Temporarily install the rear door to upper hinge and lower hinge after adjusting the height by jack.

NOTE:

When installing, make sure that a uniform clearance is created around the rear door panel.

4) Adjust the clearance around the rear door panel. <Ref. to EB-35, ADJUSTMENT, Rear Door.>

5) Tighten the bolts and nuts of door hinges and door checker.

Tightening torque:

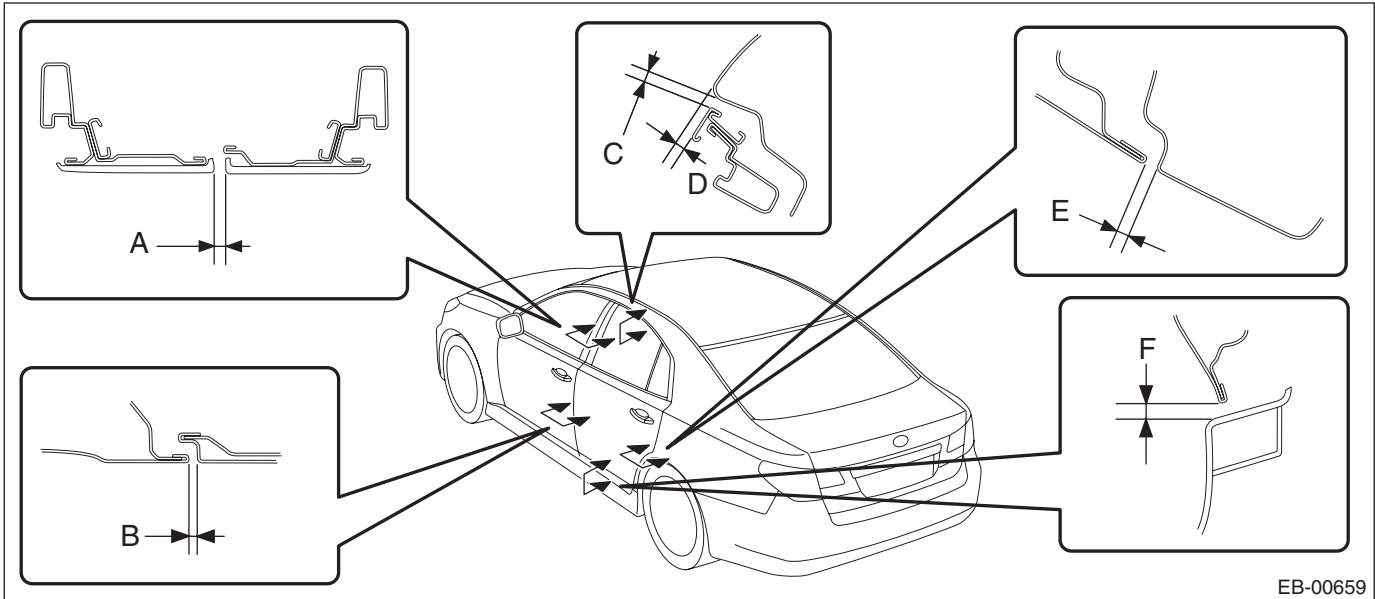
Refer to “COMPONENT” of “General Description”. <Ref. to EB-5, REAR DOOR, COMPONENT, General Description.>

6) Install door internal parts in the reverse order of removal.

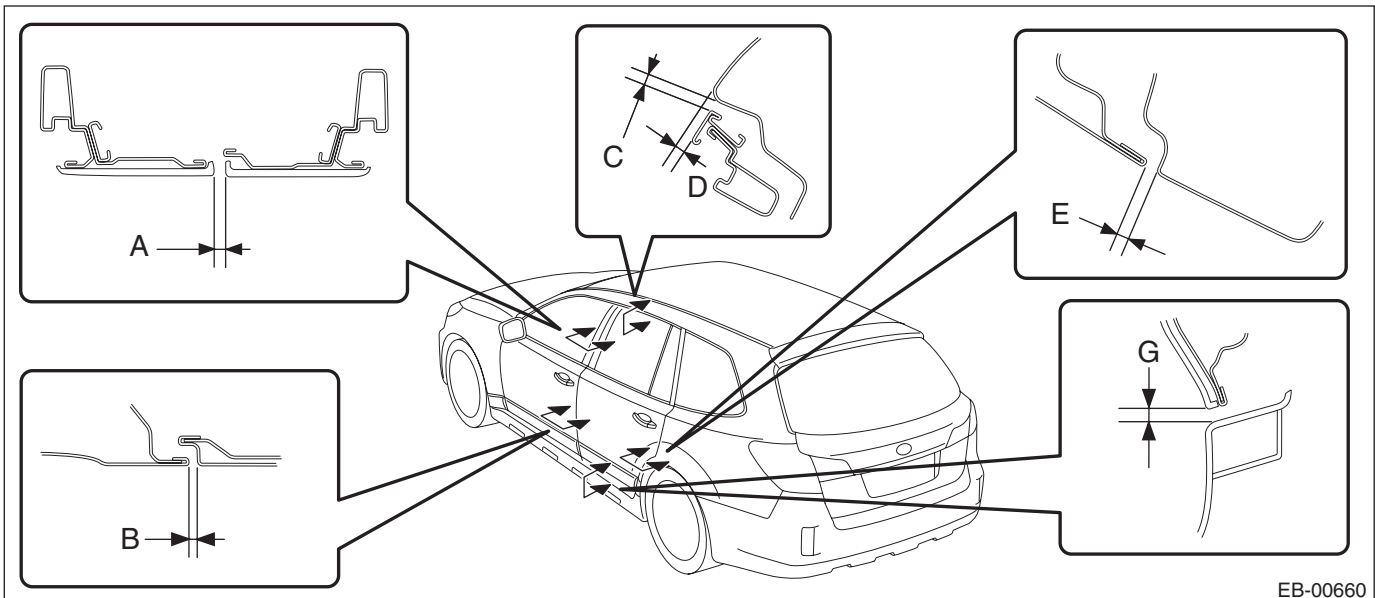
7) Connect the door harness connector, and install the center pillar lower trim.

C: ADJUSTMENT

Adjust the clearance around the rear door panel as follows.



EB-00659



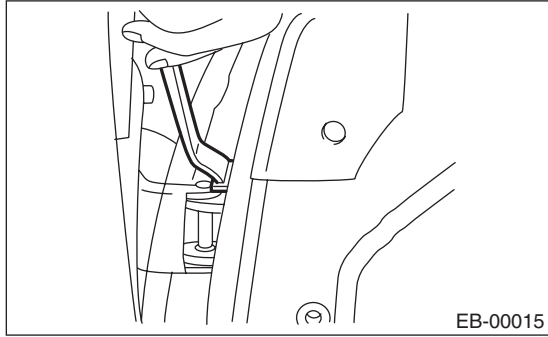
EB-00660

Part		Standard
A	Front door sash to Rear door sash	5.5±1.0 mm (0.22±0.04 in)
B	Front door panel to Rear door panel	4.6±1.0 mm (0.18±0.04 in)
C	Outer side panel to Rear door sash	5.0±1.0 mm (0.20±0.04 in)
D	Surface level gap between outer side panel and rear door sash	3.5±1.0 mm (0.14±0.04 in)
E	Rear door panel to Outer side panel	4.0±1.0 mm (0.16±0.04 in)
F	Rear door panel to Side sill garnish (sedan model)	6.0±1.0 mm (0.24±0.04 in)
G	Rear door garnish to Side sill garnish (OUTBACK model)	8.0±1.0 mm (0.31±0.04 in)

Rear Door

EXTERIOR BODY PANELS

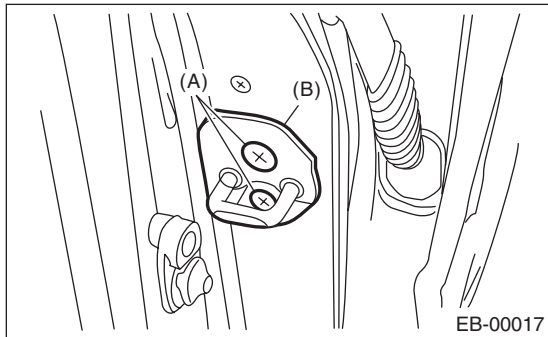
- 1) Adjust the vertical and horizontal positions of rear door panel.



- (1) Loosen the body side bolts of upper and lower hinges.
(2) Adjust the vertical and horizontal clearance of rear door panel.
- 2) Adjust the surface level gap between rear door panel and body.

CAUTION:

Do not use an impact wrench. Welding area on the striker nut plate is easily broken.



- (1) Loosen the screws (A).
- (2) Tap the striker (B) using a plastic hammer to adjust the surface level gap between rear end of rear door panel and rear quarter.