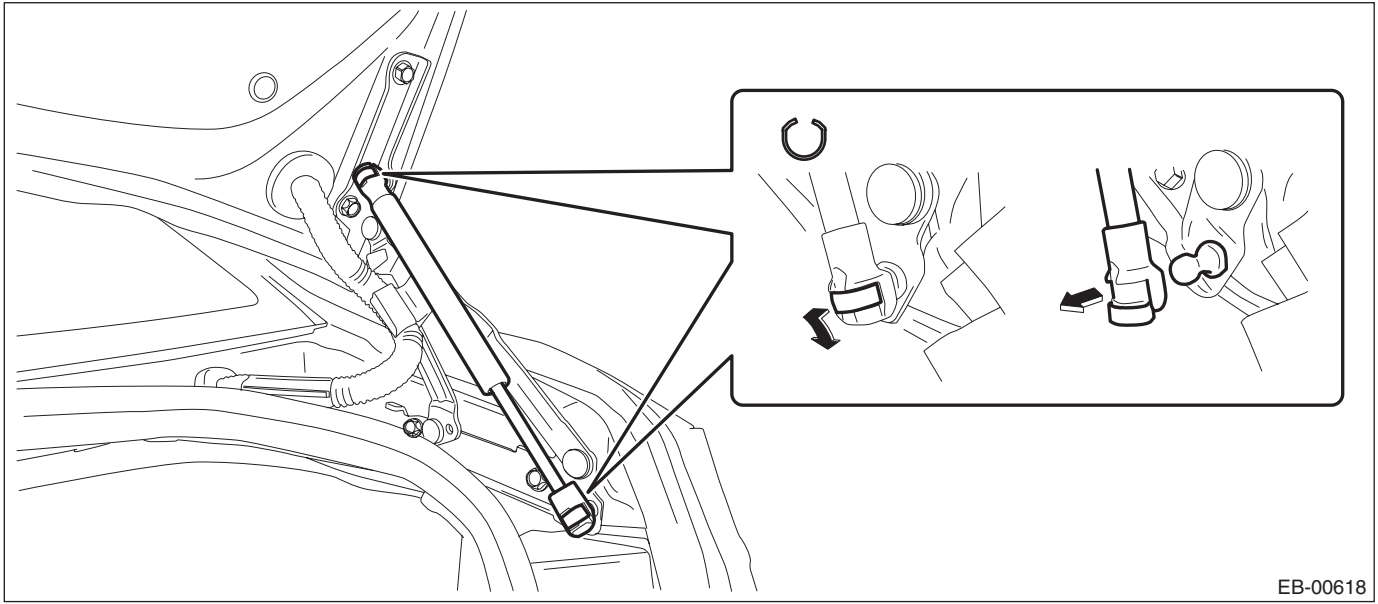


9. Trunk Lid

A: REMOVAL

1. TRUNK LID DAMPER STAY

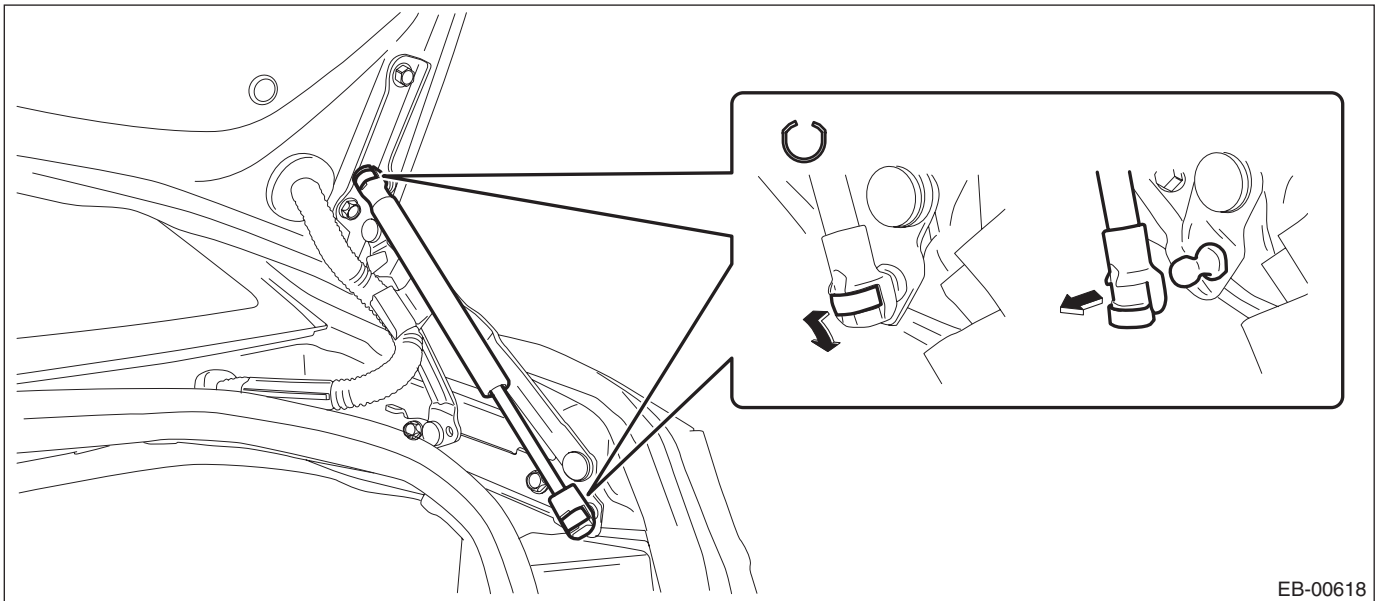
- 1) Open the trunk lid.
- 2) Remove the trunk lid damper stay.
 - (1) Float the lock pin using a flat tip screwdriver, etc. and slide it.
 - (2) Remove the trunk lid damper stay by pulling the damper stay mounting point.



EB-00618

2. TRUNK LID HINGE

- 1) Open the trunk lid.
- 2) Remove the trunk lid damper stay.
 - (1) Float the lock pin using a flat tip screwdriver, etc. and slide it.
 - (2) Remove the trunk lid damper stay by pulling the damper stay mounting point.

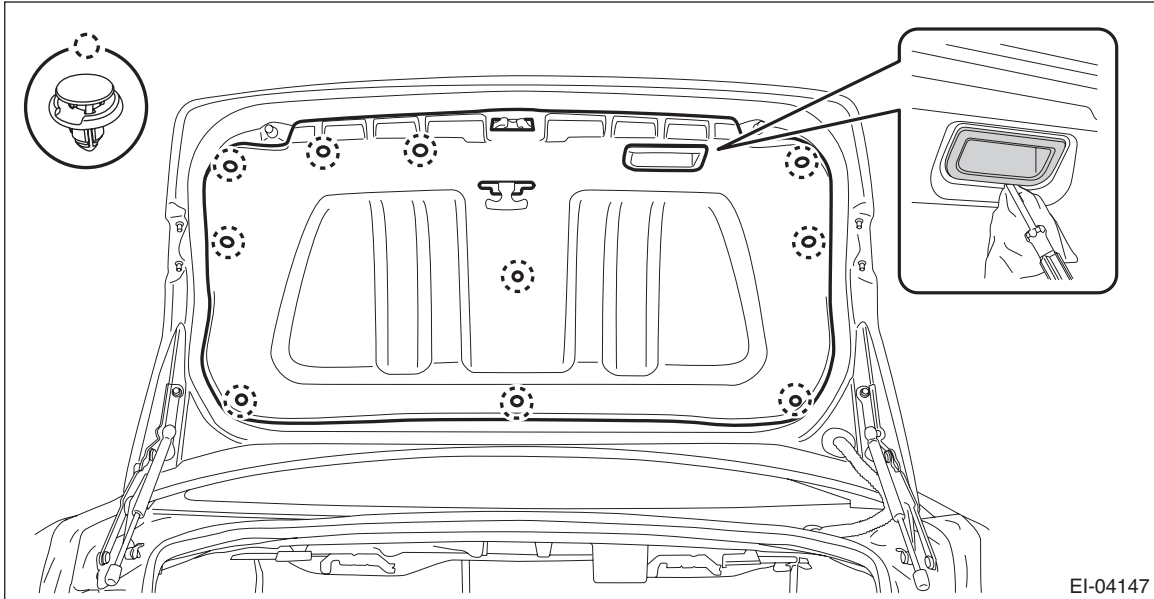


EB-00618

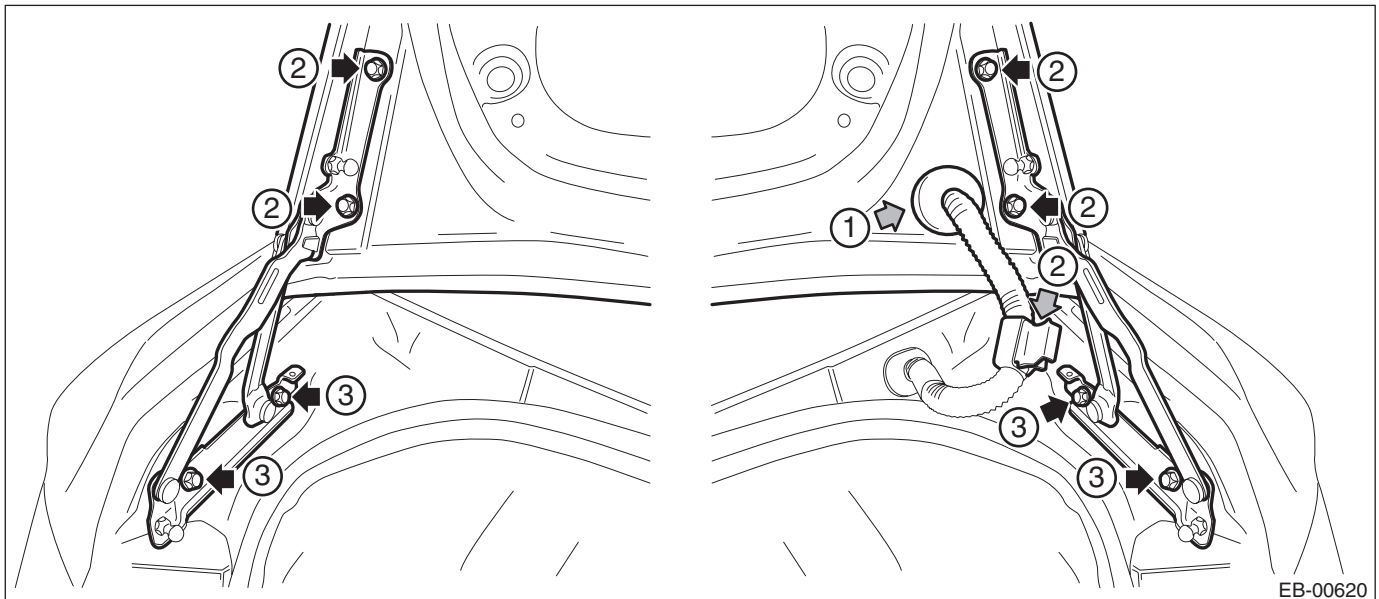
Trunk Lid

EXTERIOR BODY PANELS

- 3) Remove the trunk lid trim.
 - (1) Remove the trunk handle.
 - (2) Remove the clips and the trunk lid trim.

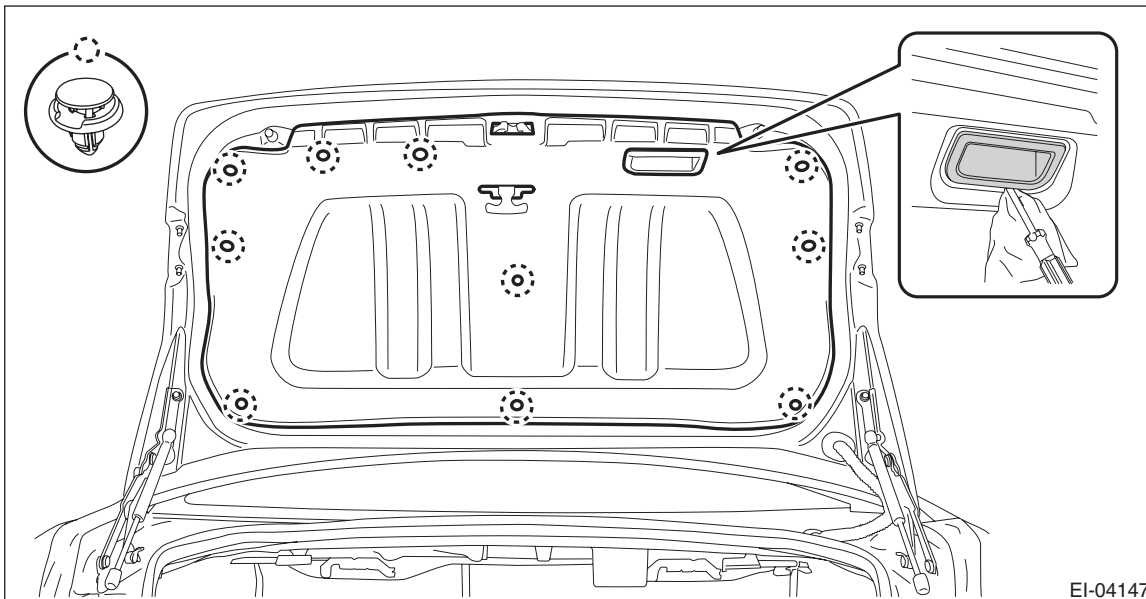


- 4) Remove the trunk lid hinges.
 - (1) Disconnect the trunk lid harness connector and remove the grommet, and pull out the trunk lid harness.
 - (2) Remove the harness clamps and bolts, and remove the trunk lid panel.
 - (3) Remove the bolts, then remove the trunk lid hinge.

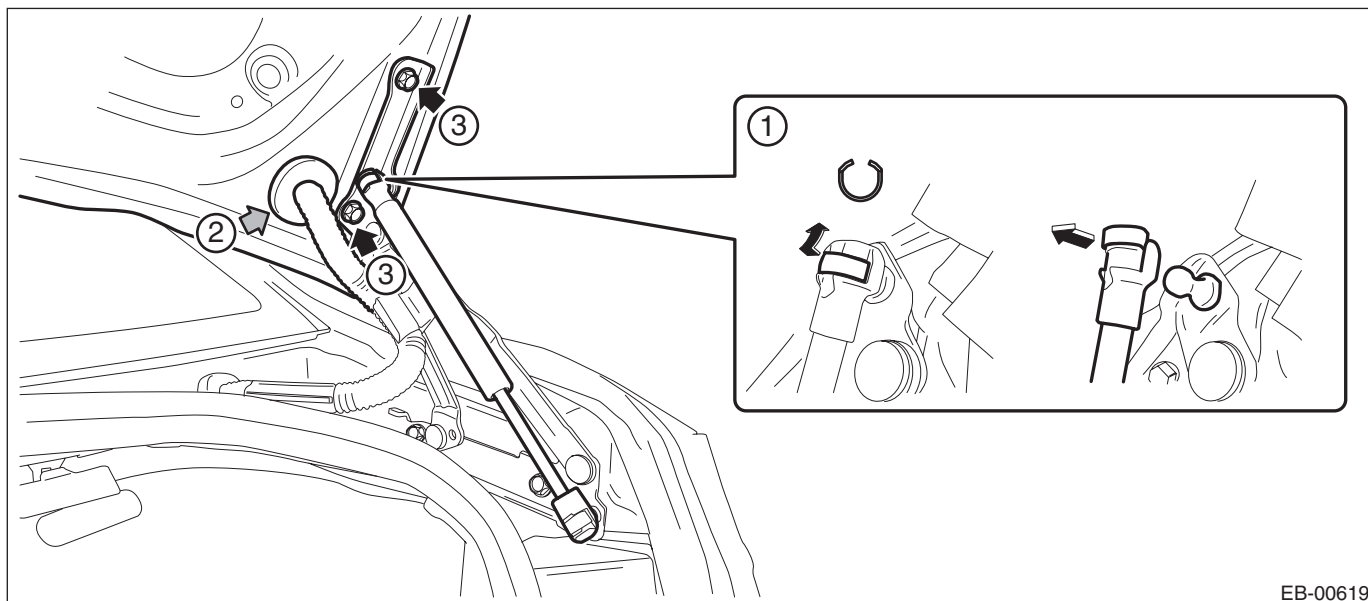


3. TRUNK LID PANEL

- 1) Disconnect the ground cable from battery.
- 2) Remove the trunk lid trim.
 - (1) Remove the trunk handle.
 - (2) Remove the clips and the trunk lid trim.



- 3) Disconnect the connector to remove the trunk lid harness.
- 4) Remove the trunk lid latch and actuator assembly. <Ref. to SL-58, REMOVAL, Trunk Lid Latch and Actuator Assembly.>
- 5) Remove the trunk lid garnish. <Ref. to EI-170, REMOVAL, Trunk Lid Garnish.>
- 6) Remove the trunk lid panel.
 - (1) Remove the left and right damper stay upper.
 - (2) Remove the grommet and pull out the trunk lid harness. (RH side only)
 - (3) Remove the left and right bolts, and remove the trunk lid panel.



Trunk Lid

EXTERIOR BODY PANELS

B: INSTALLATION

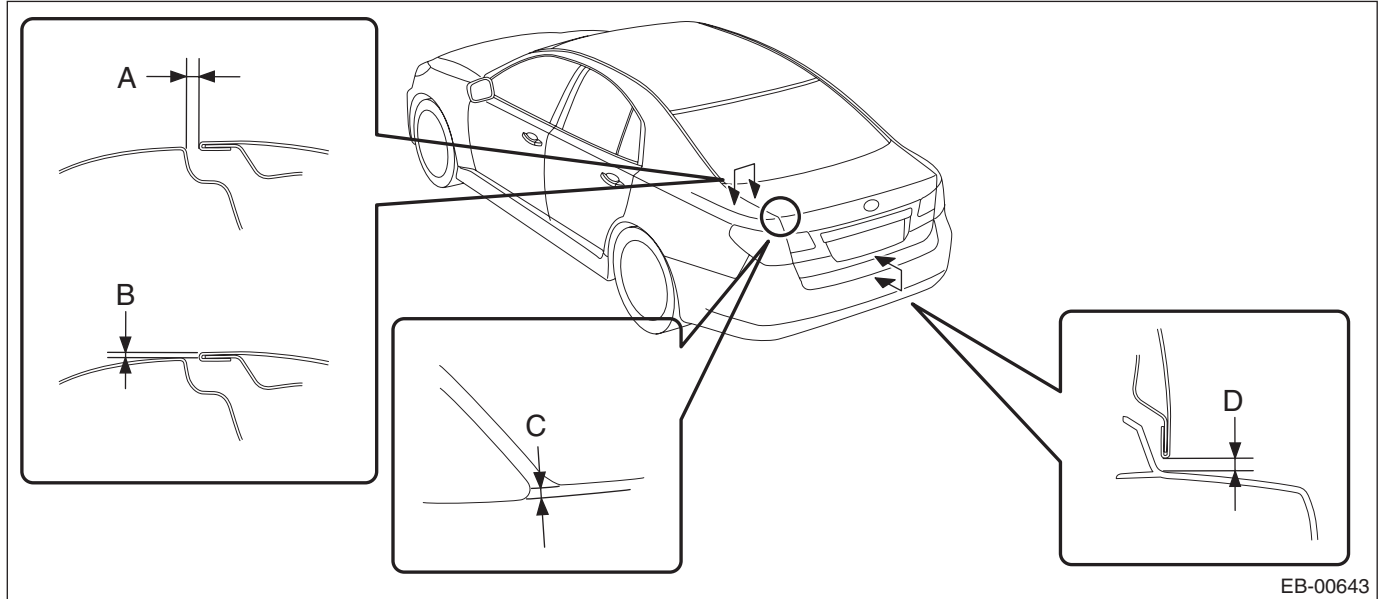
- 1) Install each part in the reverse order of removal.
- 2) Apply grease to the rotating area of hinges and damper stay.
- 3) Install while paying attention to make a uniform clearance around the trunk lid panel. <Ref. to EB-46, ADJUSTMENT, Trunk Lid.>

Tightening torque:

Refer to “COMPONENT” of “General Description”. <Ref. to EB-6, TRUNK LID PANEL, COMPONENT, General Description.>

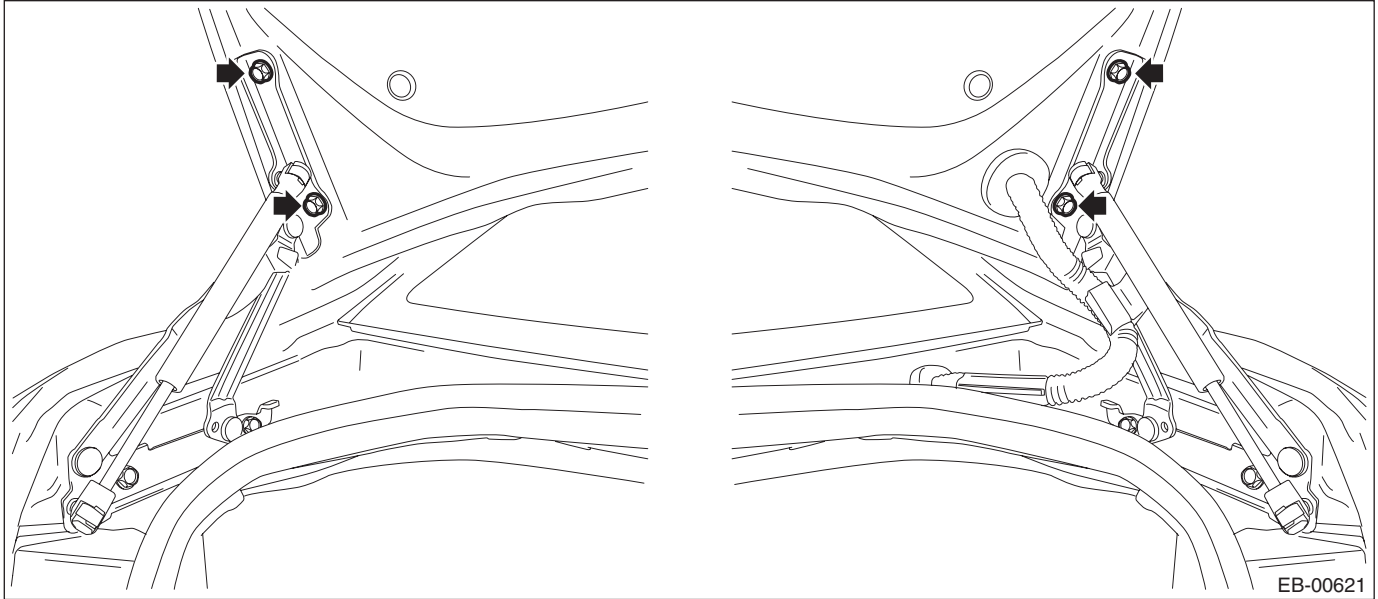
C: ADJUSTMENT

Adjust the clearance around the trunk lid panel as follows.



Part		Standard
A	Trunk lid panel to Outer side panel	3.5±1.0 mm (0.14±0.04 in)
B	Surface level gap between trunk lid panel and outer side panel	-0.5+1.0, -0.5 mm (-0.02+0.04, -0.02 in)
C	Offset value between trunk lid panel and outer side panel rear end	-0.5±0.7 mm (-0.02±0.03 in)
D	Trunk lid panel to Rear bumper	7.0±1.5 mm (0.28±0.06 in)

- 1) Adjust the trunk lid panel lateral position.
 - (1) Loosen the mounting bolt.
 - (2) Align the trunk lid panel lateral panel dimension.



- 2) Adjust the gap between trunk lid panel and body surface.
 - (1) Loosen the bolt.
 - (2) Tap striker using plastic hammer to adjust the gap between trunk lid panel and body surface.

