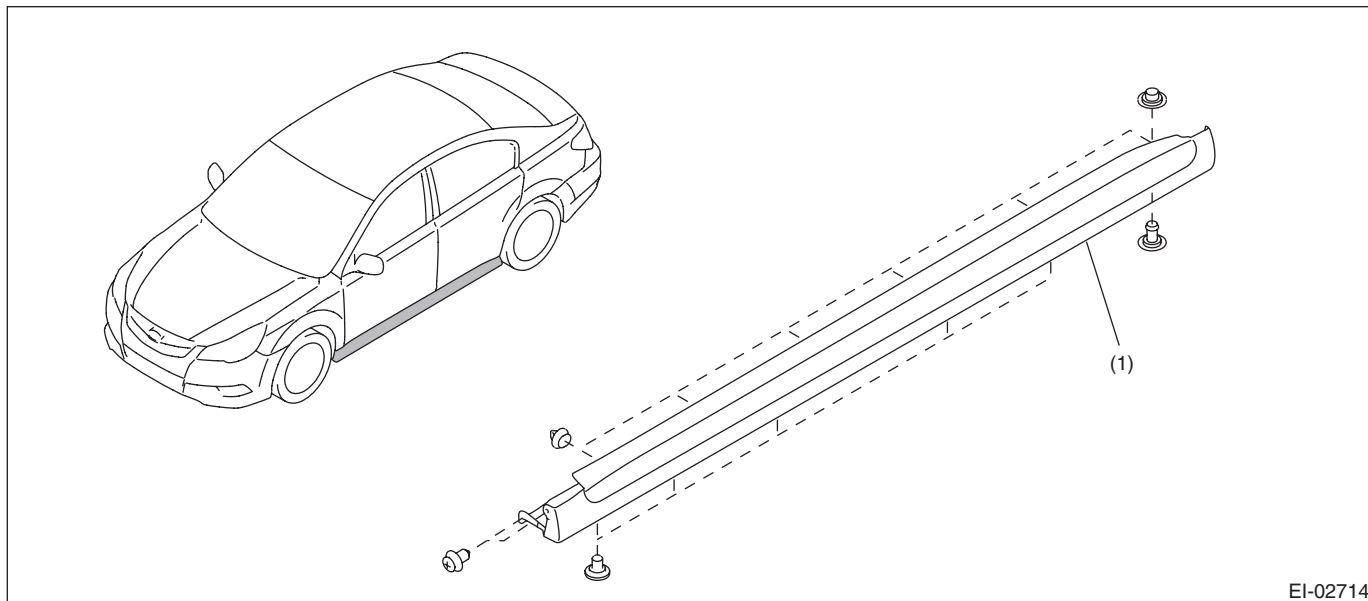


10.Side Garnish

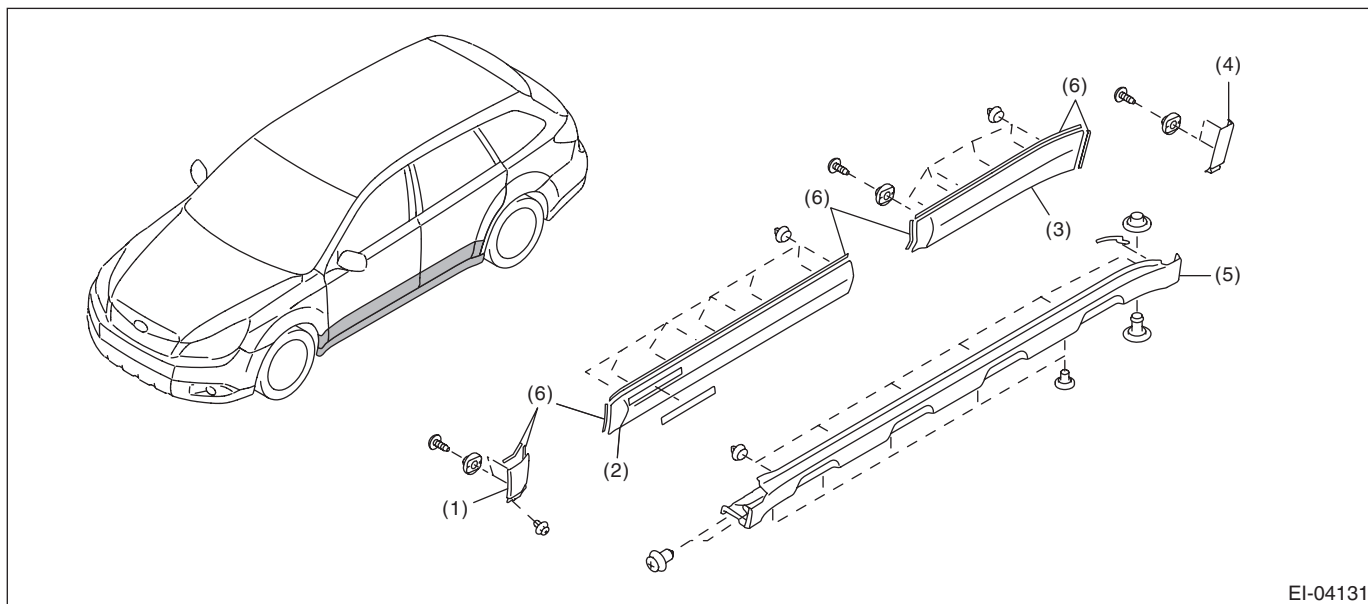
A: REMOVAL

1) Remove the clips and detach the side sill garnish assembly.



EI-02714

- (1) Side sill garnish ASSY (sedan model)



EI-04131

- | | | |
|---|---|--|
| (1) Garnish ASSY front fender (OUTBACK model) | (3) Garnish ASSY rear door (OUTBACK model) | (5) Side sill garnish ASSY (OUTBACK model) |
| (2) Garnish ASSY front door (OUTBACK model) | (4) Garnish ASSY rear quarter (OUTBACK model) | (6) Double-sided tape |

Side Garnish

EXTERIOR/INTERIOR TRIM

2) For OUTBACK model, remove garnish assembly on the door panel and on the fender panel.

CAUTION:

If you find deformation of the garnish assembly removed from the vehicle, do not reuse it because it may lead to improper adhesion.

- (1) Attach the protective tape to the periphery of the garnish.
- (2) Heat the garnish section for 3 — 5 minutes at 40 — 60°C using a heat light or a drier.

CAUTION:

Be careful not to burn yourself.

- (3) Separate the bonded part of double sided tape with a nylon cord or equivalent.
- (4) Release the clips, and remove the garnish assembly.

B: INSTALLATION

- 1) Install each part in the reverse order of removal.
- 2) For OUTBACK model, install garnish assembly on the door panel and on the fender panel.

CAUTION:

If you find deformation of the garnish assembly removed from the vehicle, do not reuse it because it may lead to improper adhesion.

- (1) Remove the double-sided tape remaining on the vehicle body side and on the garnish assembly side (when reusing the garnish assembly), then clean the adhesive surface.

CAUTION:

If even a slight amount of double-sided tape remains on the adhesive surface, it may lead to improper adhesion.

- (2) Heat the vehicle body and the garnish for 1 — 3 minutes using a heat light or a drier.

CAUTION:

Be careful not to burn yourself.

- (3) Apply primer to the garnish installation surface, wait till the primer dries, then adhere new double-sided tape to the garnish. (When reusing the garnish assembly)
- (4) Apply primer to the installation surfaces of the garnish on the body side, and wait till the primer dries.
- (5) Peel off the backing papers, engage the clips, and install the garnish assembly to the vehicle body.

CAUTION:

Press-fit the garnish assembly to adhere securely.