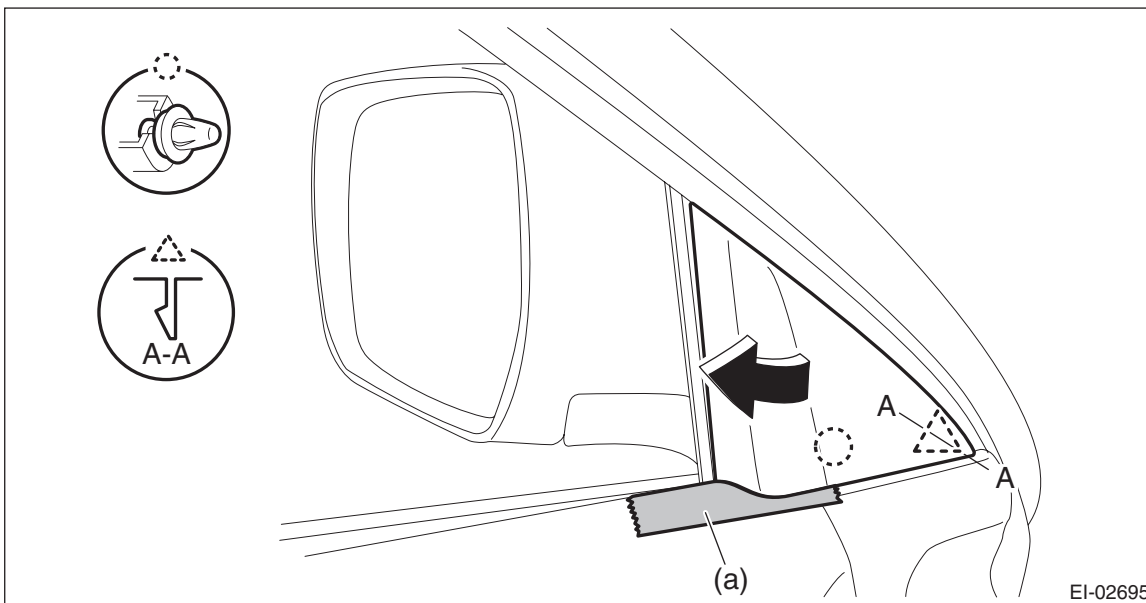


13. Door Trim

A: REMOVAL

1. FRONT DOOR

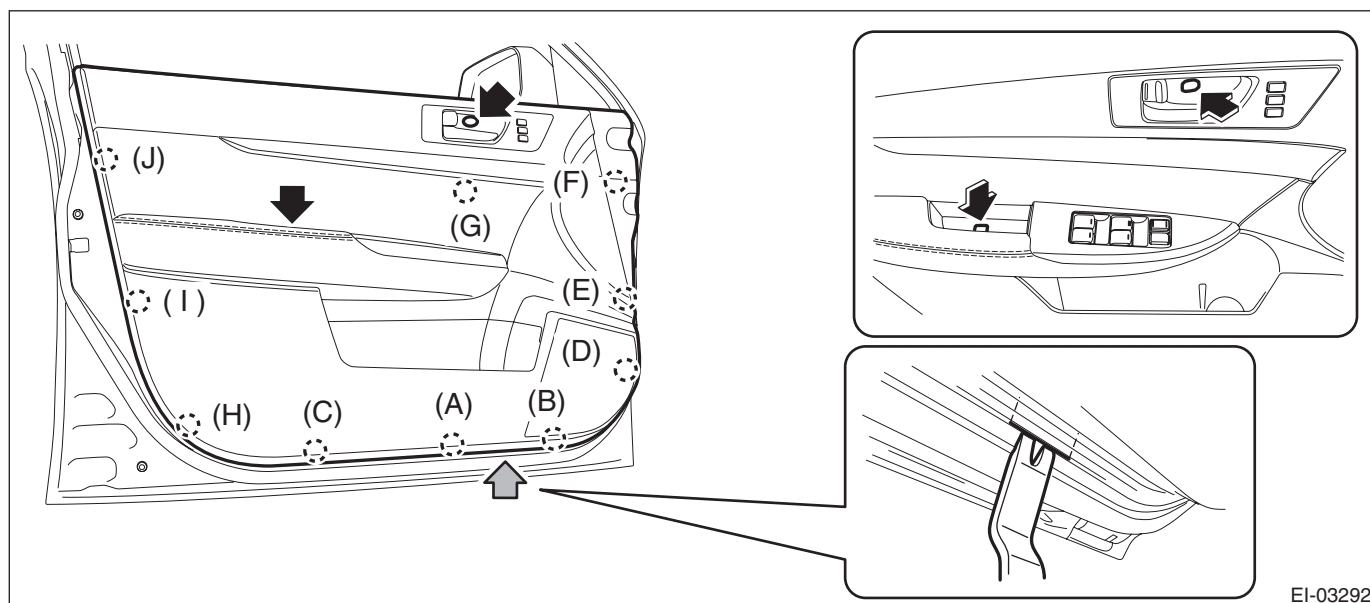
- 1) Disconnect the ground cable from battery.
- 2) Remove the gusset cover.
 - (1) Attach the protective tape (a) to the door trim.
 - (2) Release the clips and claws, then detach the gusset cover.



- 3) Remove the front door trim assembly.
 - (1) Open the cover and remove the screw.
 - (2) Remove the clips in the order of (A) to (J) and remove the front door trim assembly from the door panel.

CAUTION:

When removing the door trim, be sure to remove the clips in the correct order. Forcibly removing clips may damage the door panel assembly.



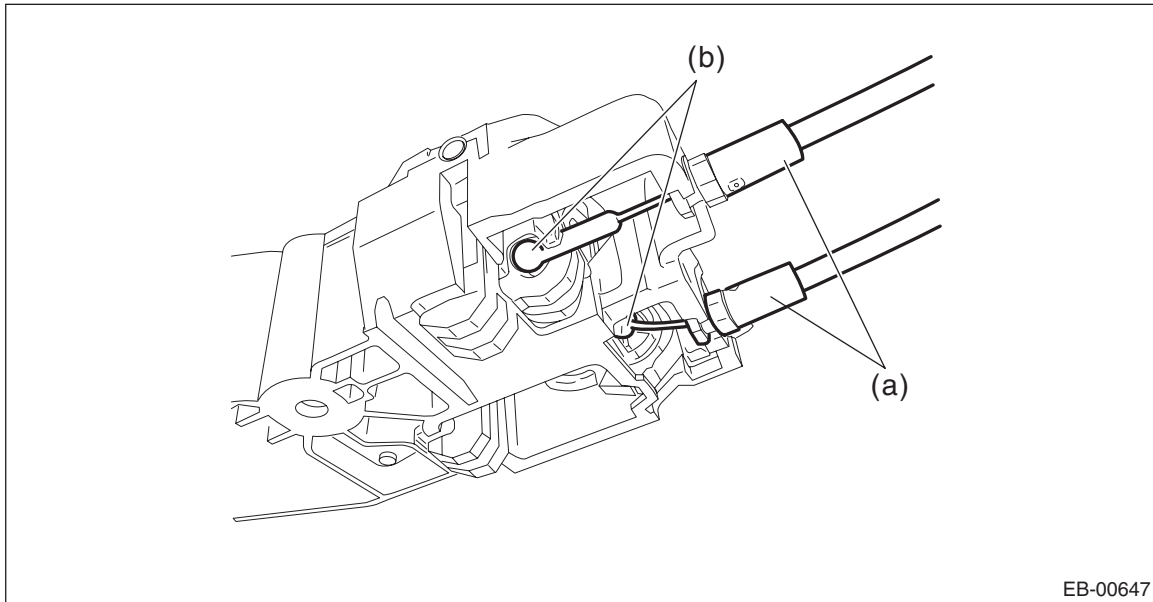
NOTE:

Insert a plastic clip remover into the slit at the bottom of the door trim, to lift the door trim.

Door Trim

EXTERIOR/INTERIOR TRIM

(3) Remove the cables (a) and (b) from the cable holder of inner remote.



(4) Disconnect the harness connector and remove the door trim assembly.

4) Remove each part as required.

- Inner remote handle: <Ref. to SL-36, REMOVAL, Front Inner Remote.>
- Power window control switch: <Ref. to GW-12, MAIN SWITCH, REMOVAL, Power Window Control Switch.>
- Weather strip inner: <Ref. to EI-61, DISASSEMBLY, Door Trim.>

2. REAR DOOR

1) Disconnect the ground cable from battery.

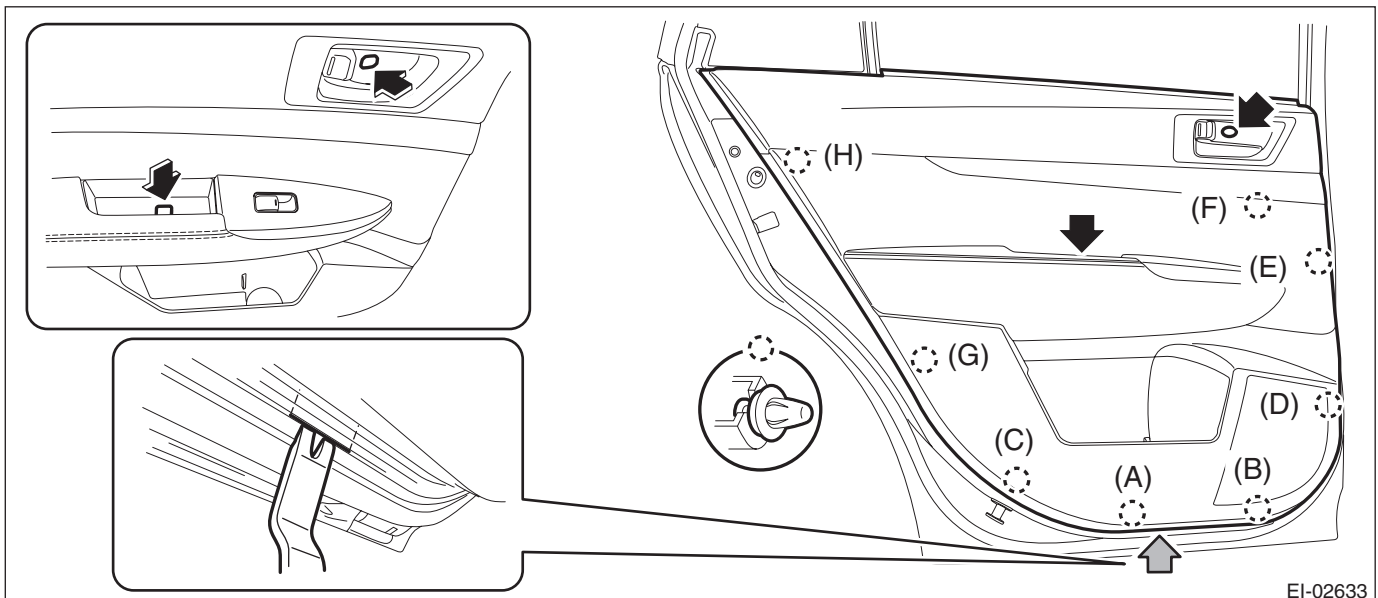
2) Remove the rear door trim assembly.

(1) Open the cover and remove the screw.

(2) Remove the clips in the order of (A) to (H) and remove the rear door trim assembly from the door panel.

CAUTION:

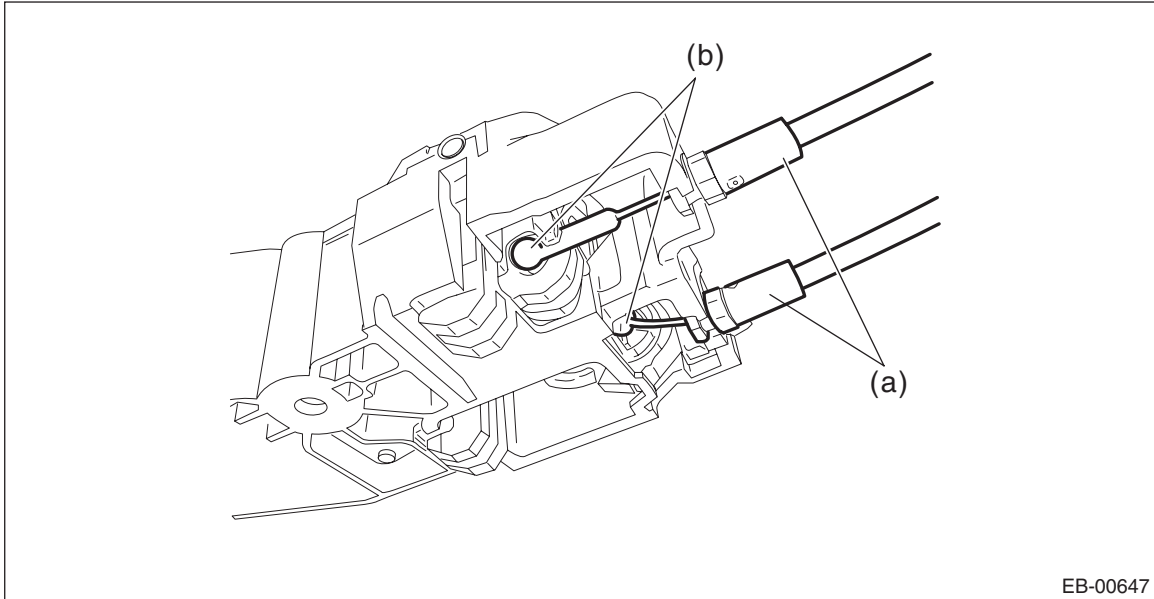
When removing the door trim, be sure to remove the clips in the correct order. Forcibly removing clips may damage the door panel assembly.



NOTE:

Insert a plastic clip remover into the slit at the bottom of the door trim, to lift the door trim.

(3) Remove the cables (a) and (b) from the cable holder of inner remote.



EB-00647

(4) Disconnect the harness connector and remove the door trim.

3) Remove each part as required.

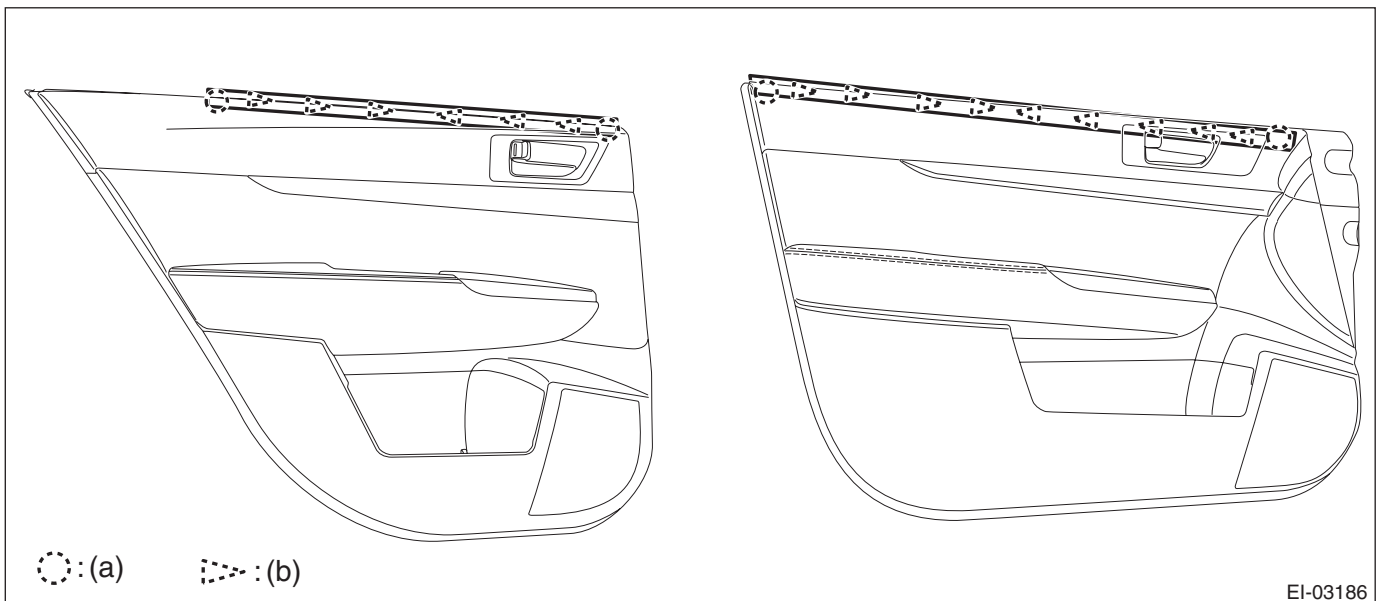
- Inner remote handle: <Ref. to SL-45, REMOVAL, Rear Inner Remote.>
- Power window control switch: <Ref. to GW-12, SUB-SWITCH, REMOVAL, Power Window Control Switch.>
- Weather strip inner: <Ref. to EI-61, DISASSEMBLY, Door Trim.>

B: INSTALLATION

Install each part in the reverse order of removal.

C: DISASSEMBLY

- 1) Remove the door trim.
- 2) Remove the rivets and detach the claws, then remove the weather strip inner from the door trim.



EI-03186

(a) Rivet

(b) Claw

Door Trim

EXTERIOR/INTERIOR TRIM

NOTE:

Remove the rivets with a rivet cutter or nipper, etc.

D: ASSEMBLY

1) Fold the claws while pressing the weather strip inner to the door trim.

CAUTION:

Beware of the direction of folding the claws.

2) Install the rivets and apply unwoven cloth.

CAUTION:

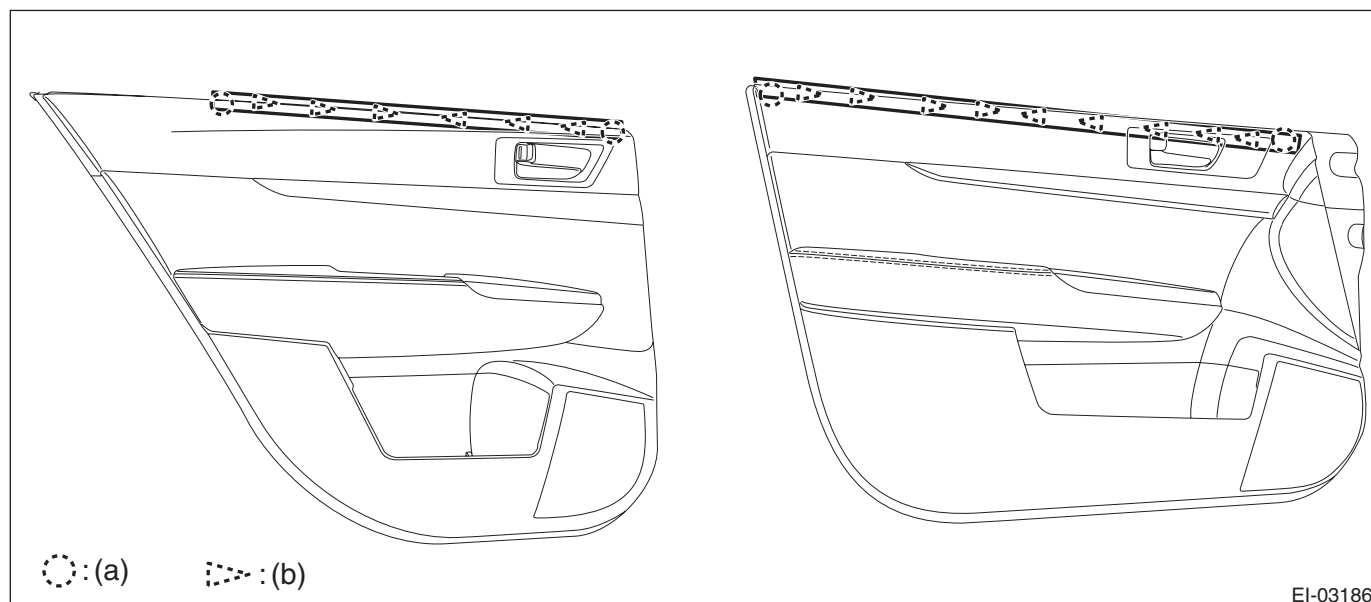
Set the height of rivet crimped section as 3 mm (0.12 in). If the crimp is not sufficient, press them with pliers, etc. in order not to interfere the door trim.

Preparation tool and item:

Hand riveter (corresponding to $\phi 3.2$ mm (0.13 in))

Rivet

Unwoven cloth (cut into 15 x 15 mm (0.59 x 0.59 in))



(a) Rivet

(b) Direction of folding claws

3) After installing the weather strip inner, perform the following inspections.

- There is no clearance between the weather strip inner and the door trim.
- No loose fit is found when pulling the weather strip inner lightly.