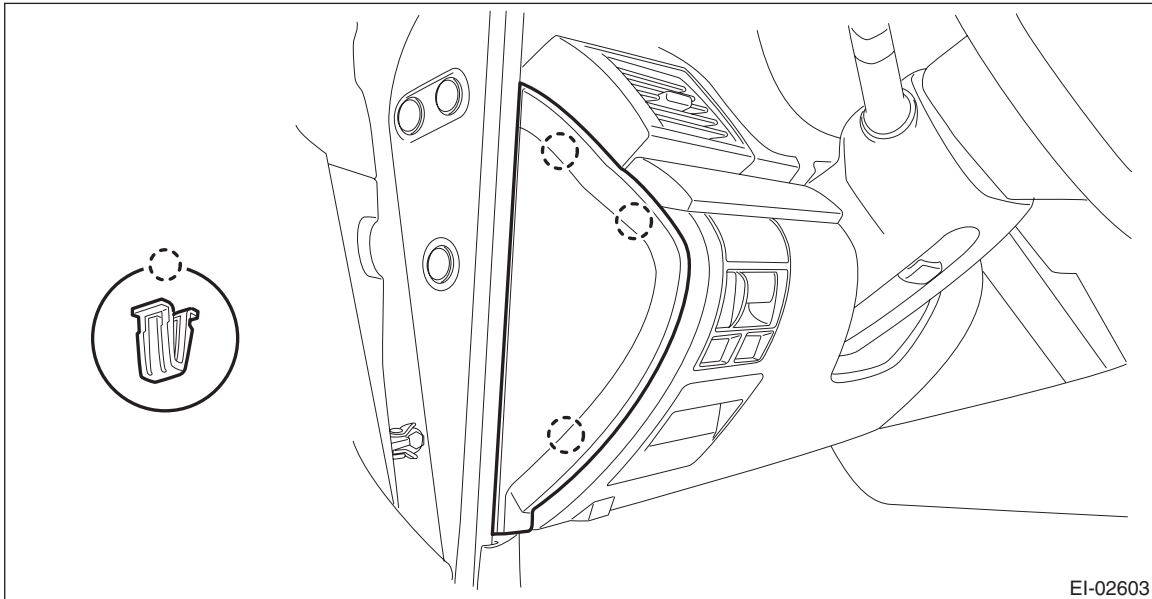


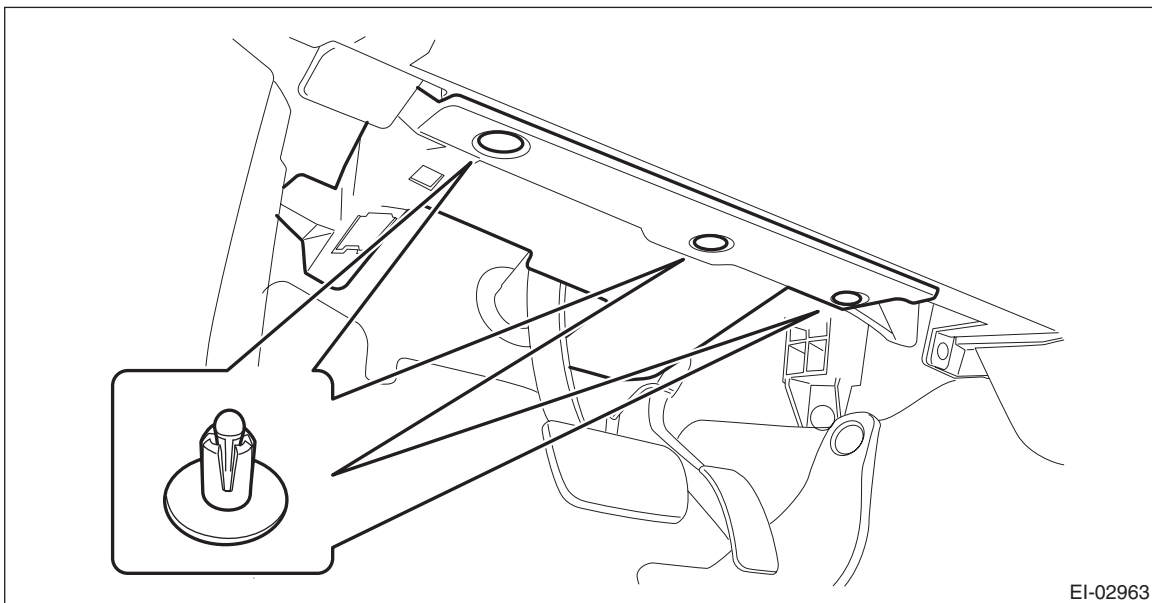
14. Instrument Panel Lower Cover

A: REMOVAL

- 1) Disconnect the ground cable from battery.
- 2) Remove the clips, and remove the instrument panel side cover LH.



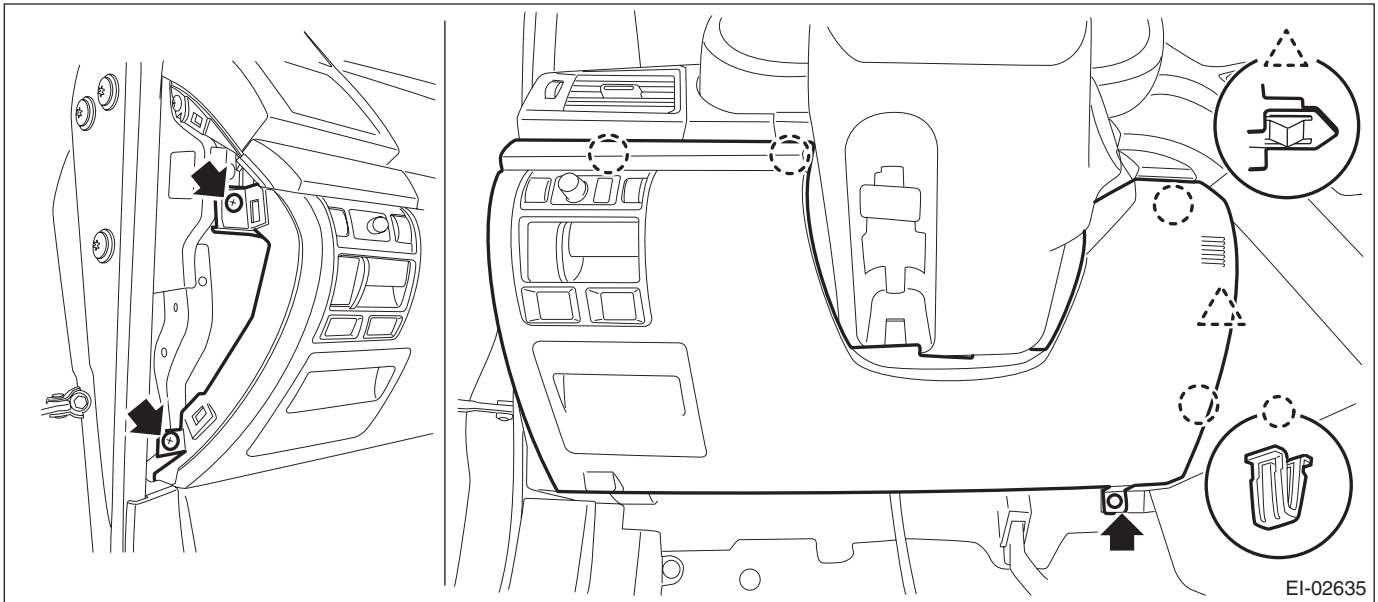
- 3) Remove the instrument panel lower cover.
 - (1) Remove the clips and data link connector, and remove the instrument panel lower cover under.



Instrument Panel Lower Cover

EXTERIOR/INTERIOR TRIM

(2) Remove the screws and clips and release the claws, and remove the instrument panel lower cover while disconnecting the harness connectors.



B: INSTALLATION

Install each part in the reverse order of removal.