

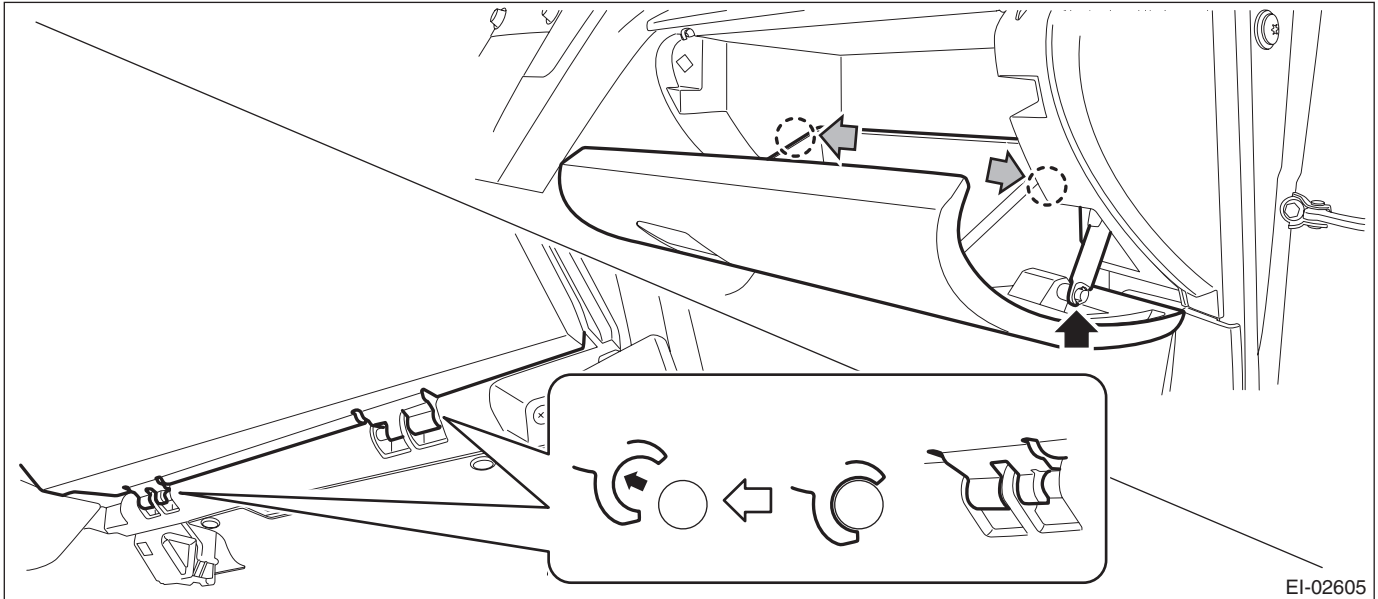
## 15. Glove Box

### A: REMOVAL

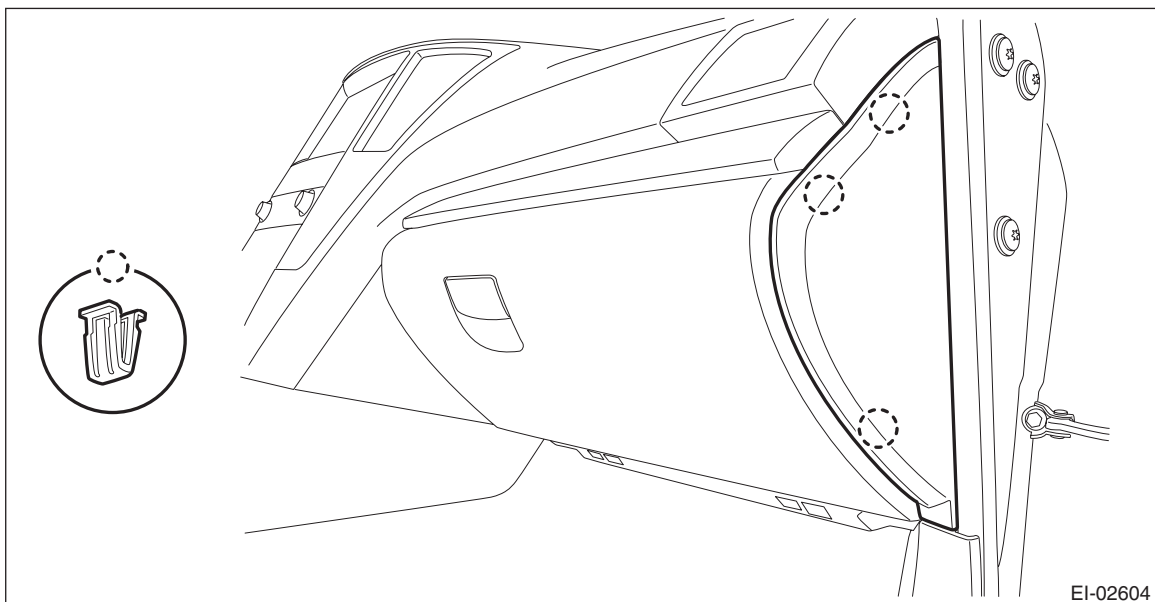
**NOTE:**

Refer to "Security and Locks" section for key cylinder replacement. <Ref. to SL-72, GLOVE BOX LID, REPLACEMENT, Key Lock Cylinders.>

- 1) Remove the glove box lid assembly.
  - (1) Remove the glove box damper.
  - (2) Release the stoppers and remove the glove box lid assembly by pulling it toward you.



- 2) Release the clips, and remove the instrument panel side cover RH.

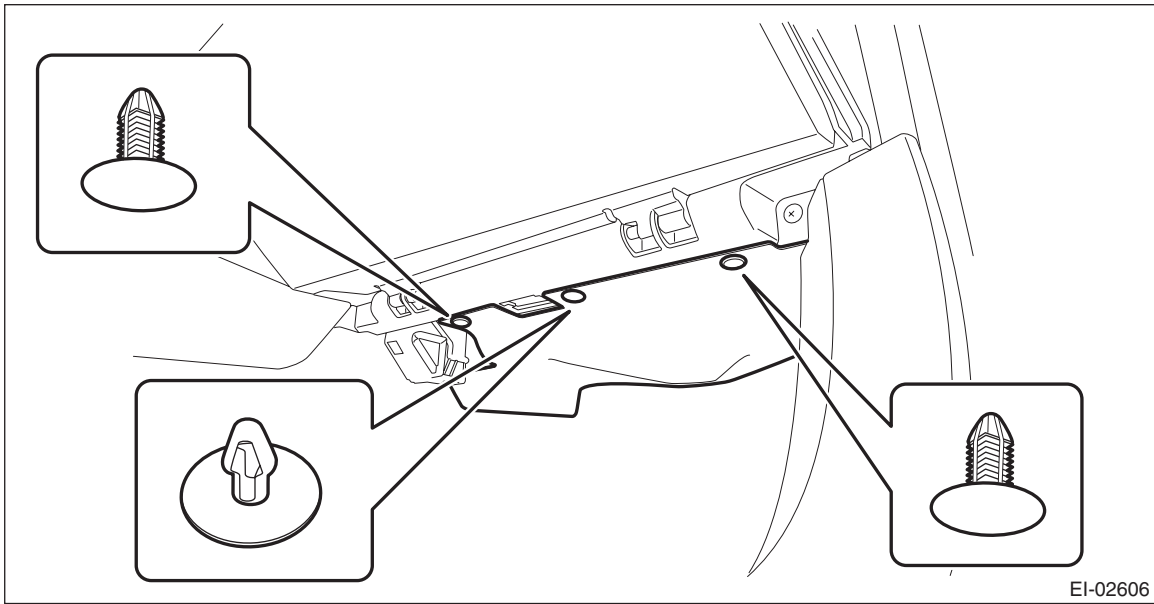


# Glove Box

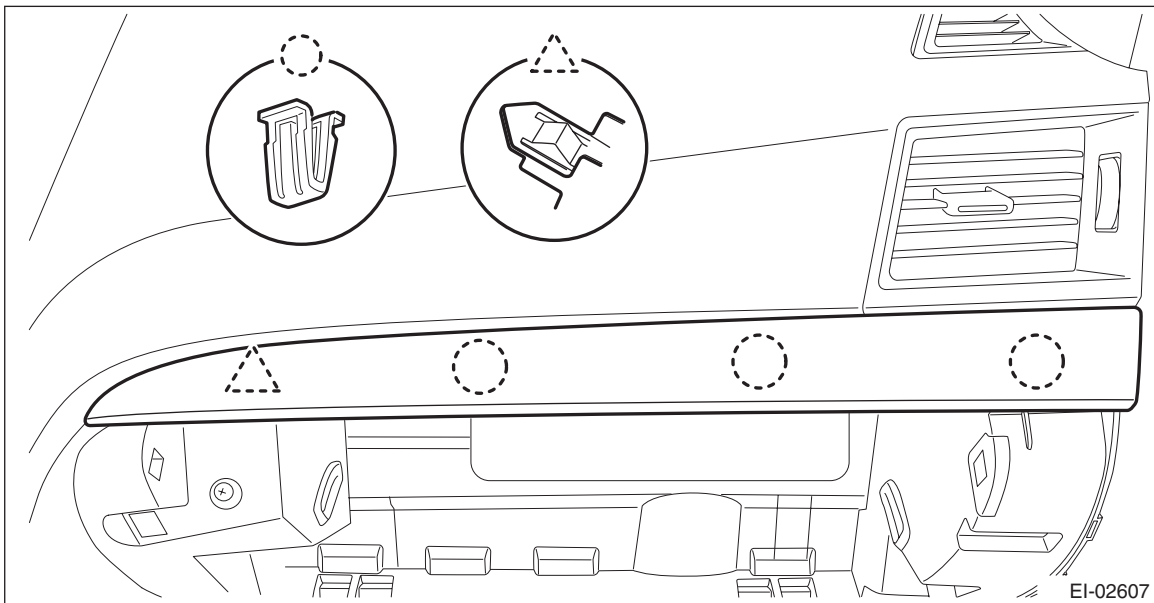
## EXTERIOR/INTERIOR TRIM

3) Remove the glove box back panel.

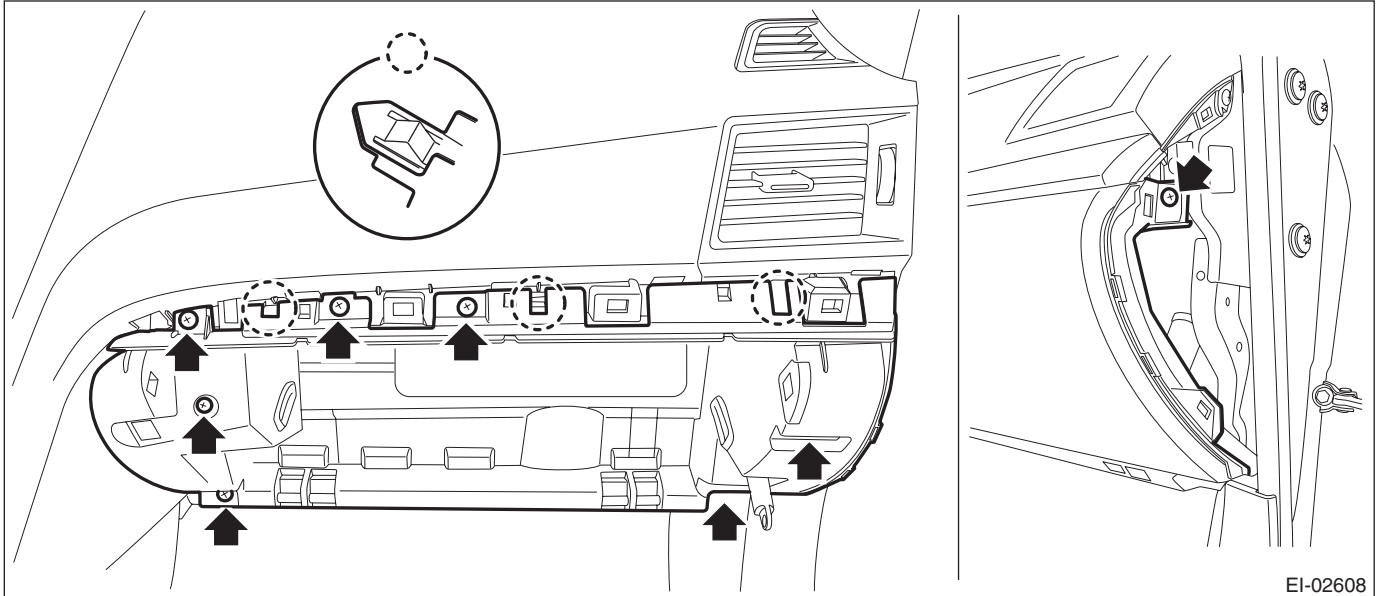
(1) Release the clips, and remove the glove box under cover.



(2) Release the clips and claws, and remove the ornament panel assembly P.



(3) Remove the screws and release the claws, then detach the glove box back panel.



(4) Disconnect the glove box light LED connector.

## **B: INSTALLATION**

Install each part in the reverse order of removal.