

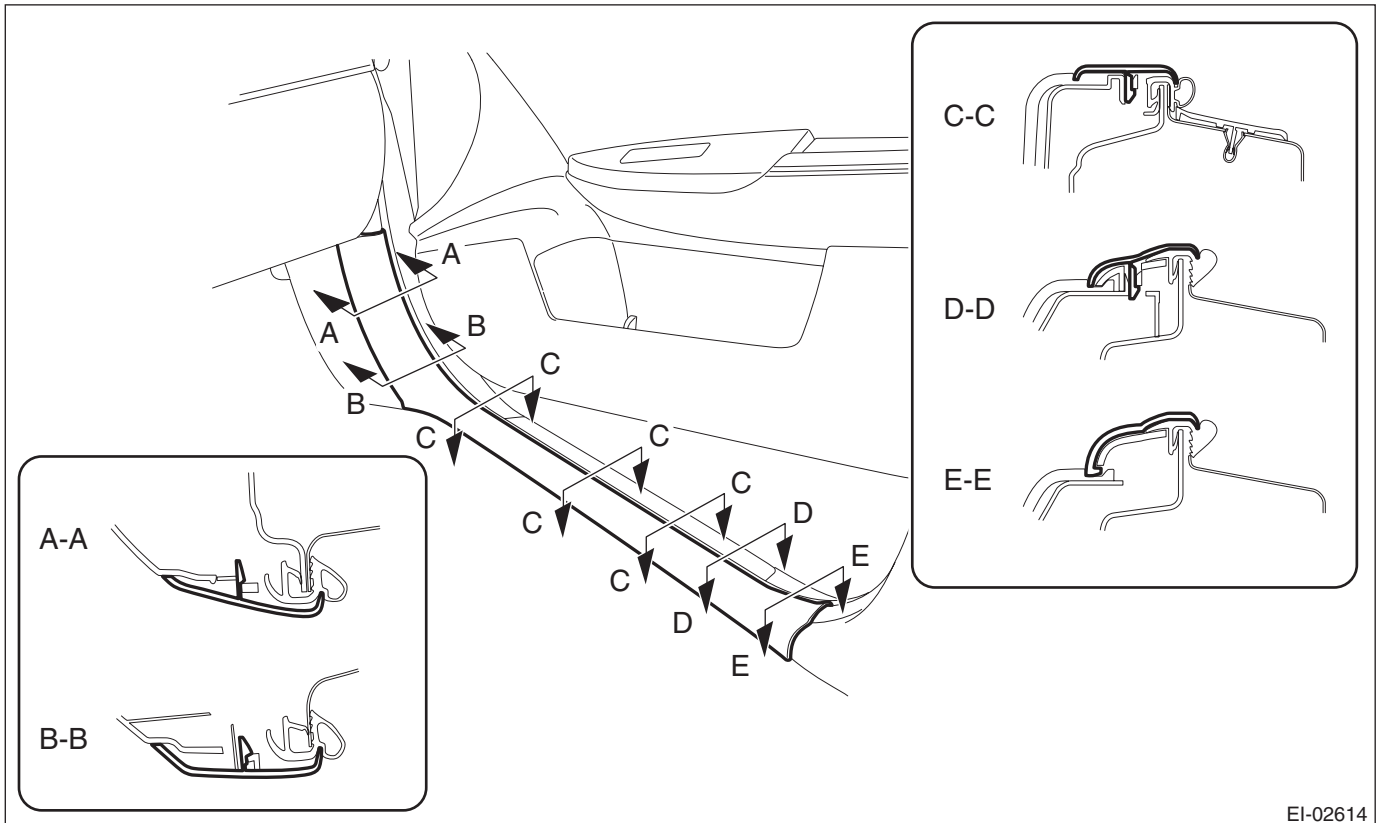
19.Lower Inner Trim

A: REMOVAL

1) Release the claws, and then remove the side sill cover-front INN.

CAUTION:

Do not pull with excessive force. Doing so may damage the claws of the side sill cover INN.

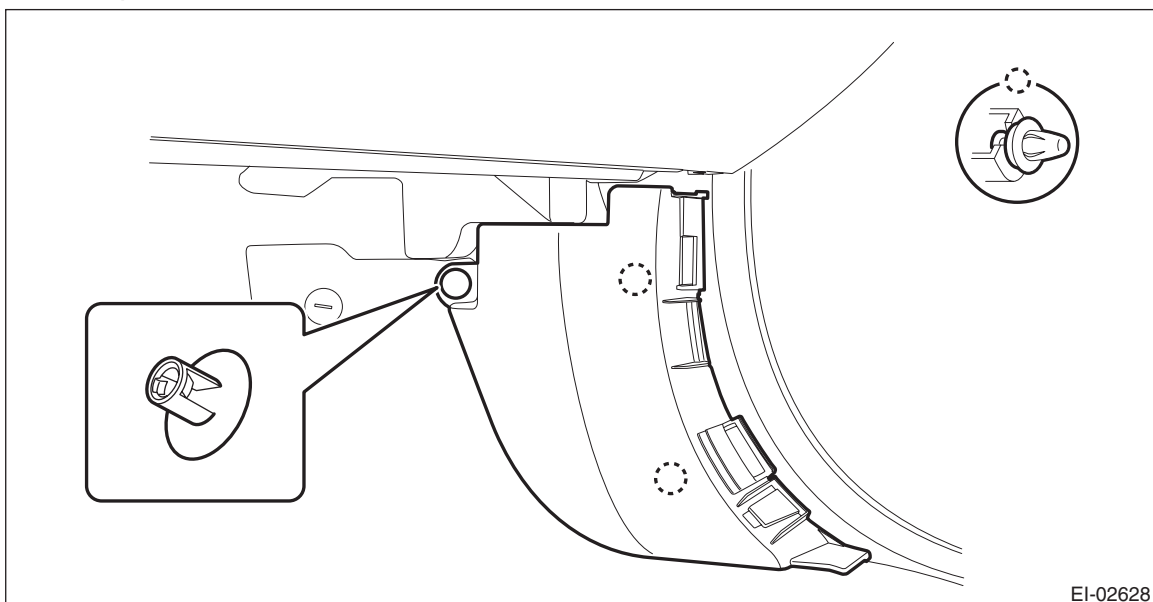


EI-02614

NOTE:

To release the claws of the side sill cover INN, the following steps are recommended.

1. Take out the weather strip from under the side sill cover INN.
2. Turn over the floor mat and release the claw (C-C) by accessing from behind the side sill cover INN.
- 2) Remove the clip, and remove the side sill cover front.



EI-02628

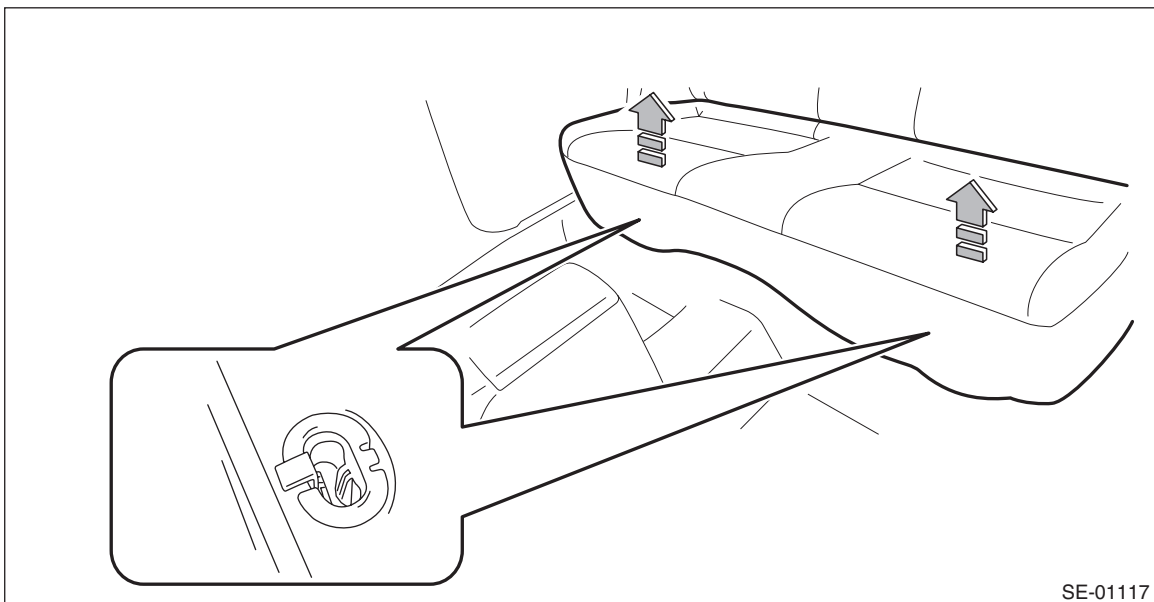
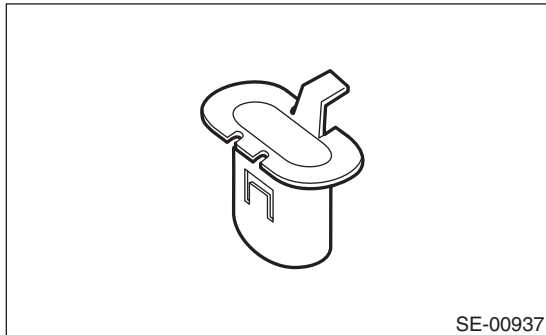
Lower Inner Trim

EXTERIOR/INTERIOR TRIM

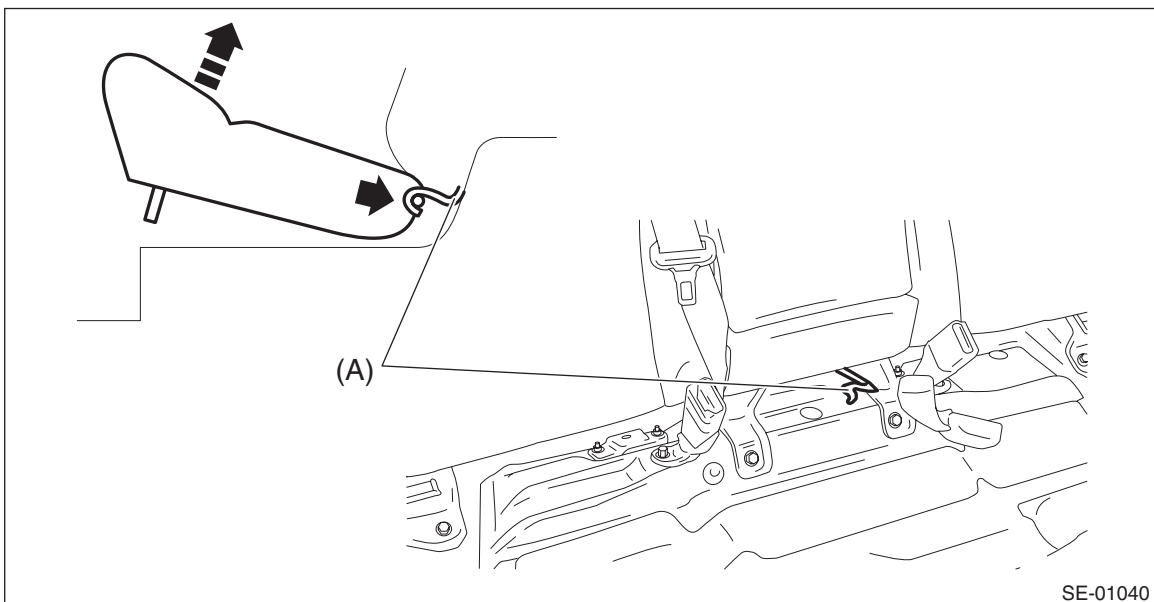
- 3) Remove the rear seat cushion assembly.
 - (1) Pull up the seat cushion and release the hook.

CAUTION:

If the hook is disconnected from the vehicle body, replace the hook with the new part to prevent the decline of the fixed force of the seat.



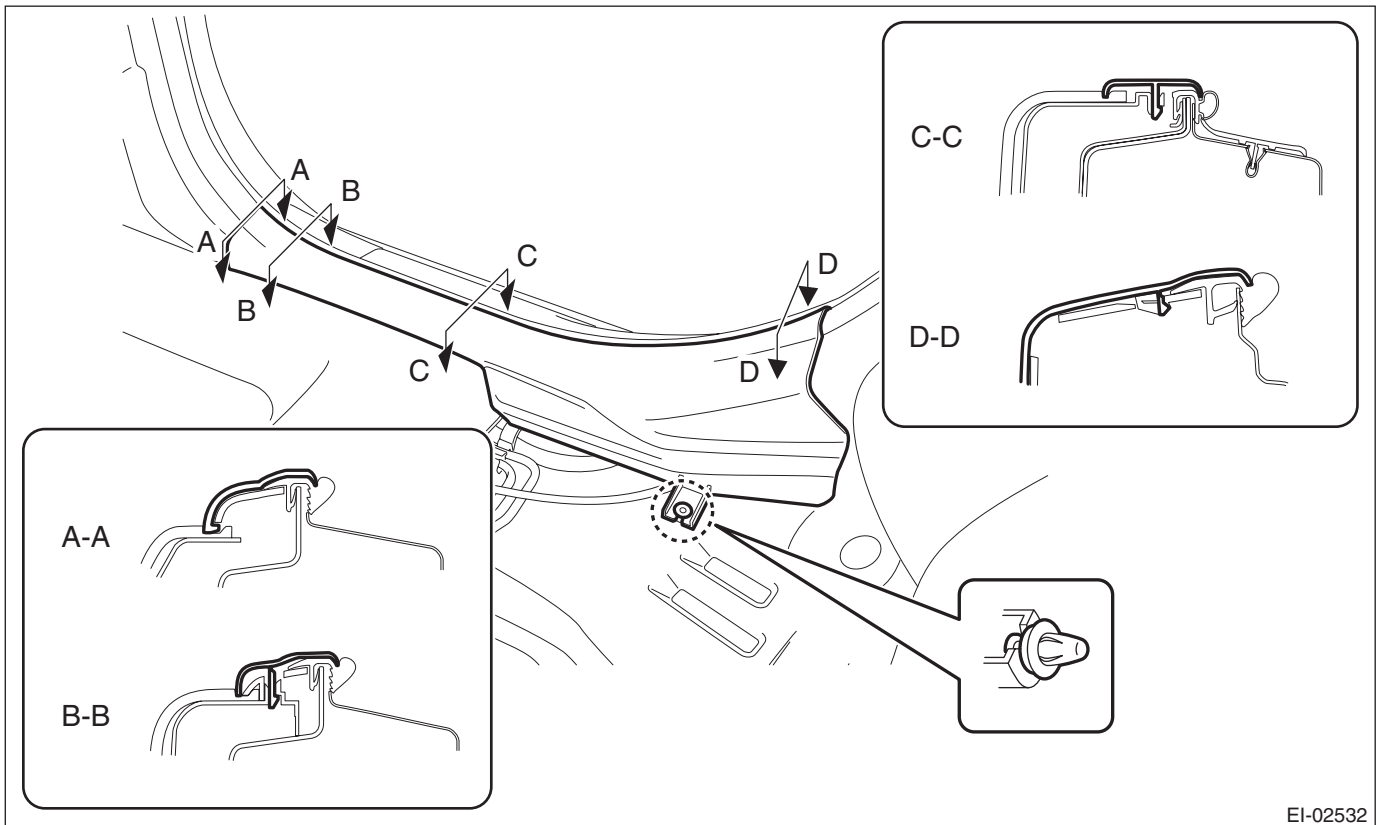
- (2) Remove the hook (A) by pushing it back while lifting the front side of the seat cushion, and remove the seat cushion.



4) Release the clips and claws, and then remove the side sill cover - rear INN.

CAUTION:

Do not pull with excessive force. Doing so may damage the claws of the side sill cover INN.



NOTE:

To release the claws of the side sill cover INN, the following steps are recommended.

1. Take out the weather strip from under the side sill cover INN.
2. Turn over the floor mat and release the claw (C-C and D-D) by accessing from behind the side sill cover INN.

Lower Inner Trim

EXTERIOR/INTERIOR TRIM

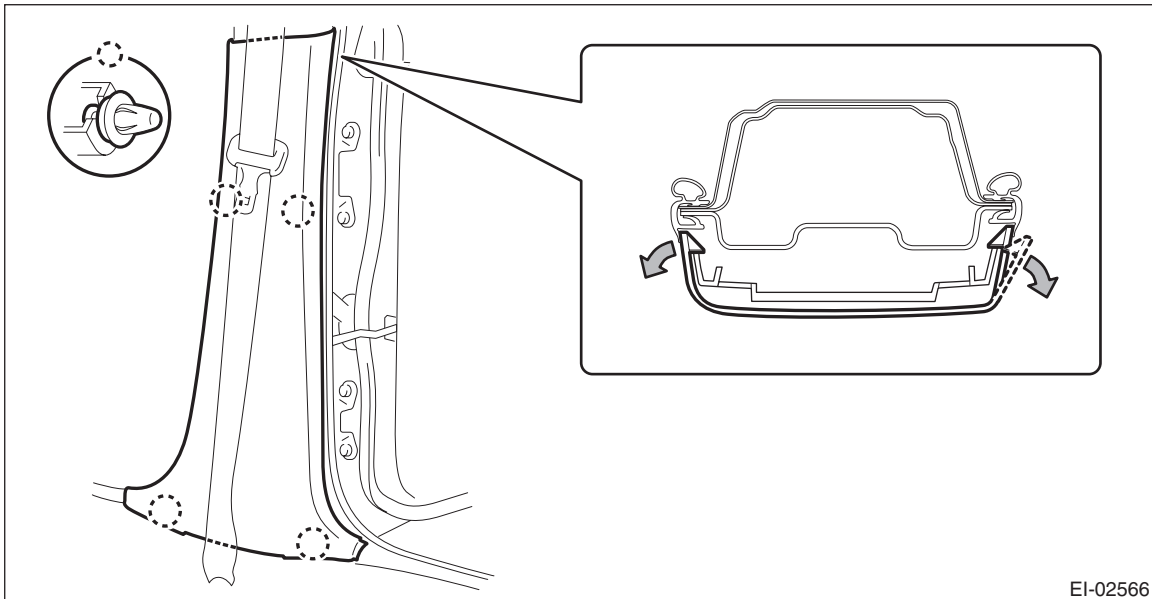
5) Remove the center pillar trim LWR.

(1) Release the clip by pulling the center pillar trim LWR toward you.

(2) Expand the claws of center pillar trim LWR outward and remove it from the center pillar trim UPR.

CAUTION:

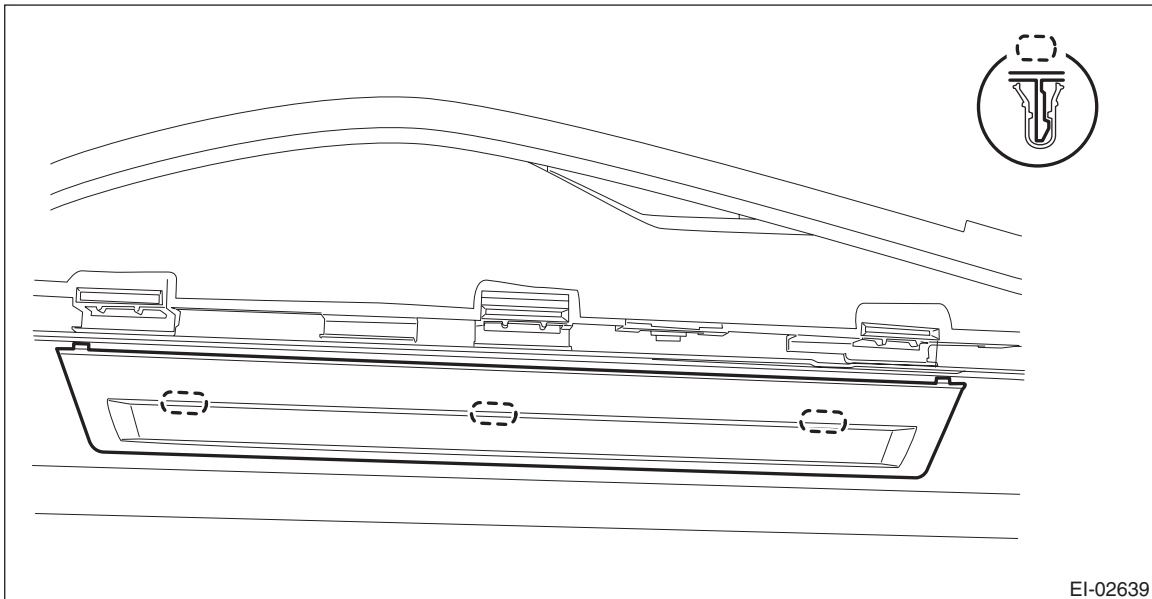
Do not expand the center pillar trim LWR excessively. Doing so may damage the trim.



NOTE:

First release the claw located to the rear of the vehicle.

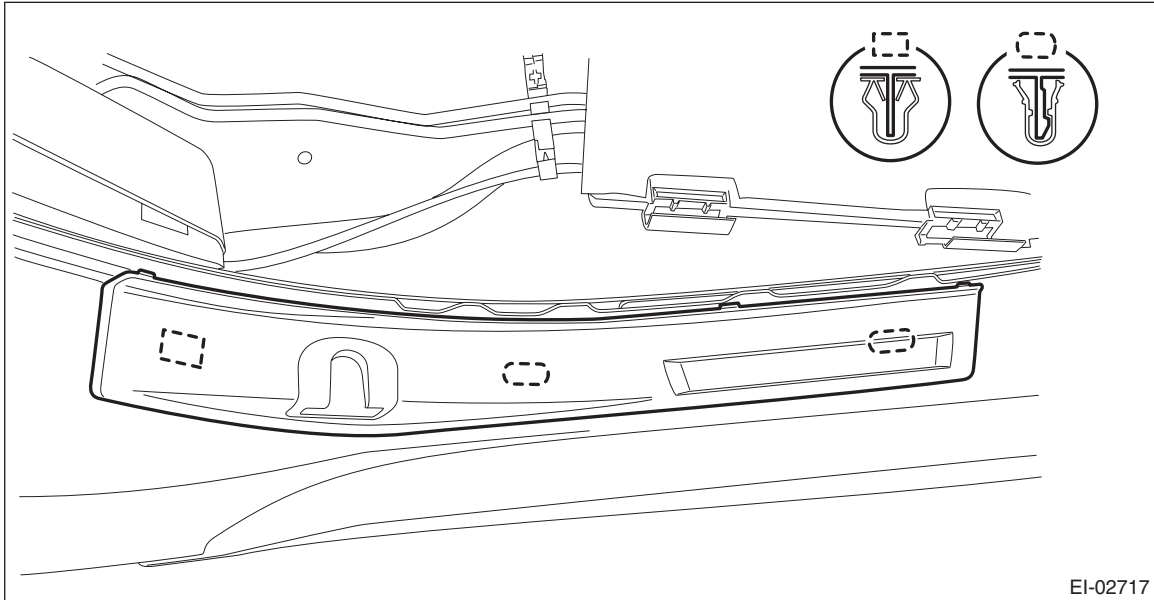
6) Release the claws, and then remove the side sill cover-front OUT.



Lower Inner Trim

EXTERIOR/INTERIOR TRIM

7) Release the claws and metal clips, and then remove the side sill cover-rear OUT.



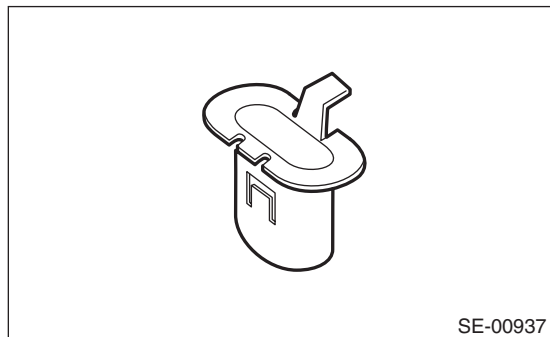
Lower Inner Trim

EXTERIOR/INTERIOR TRIM

B: INSTALLATION

CAUTION:

If the hook is disconnected from the vehicle body, replace the hook with the new part to prevent the decline of the fixed force of the seat.



Install each part in the reverse order of removal.

NOTE:

Assemble the center pillar trim LWR to the center pillar trim UPR securely.

