

20.Upper Inner Trim

A: REMOVAL

1) Remove the front pillar trim.

(1) Pull the upper part of the front pillar trim towards the center of the vehicle.

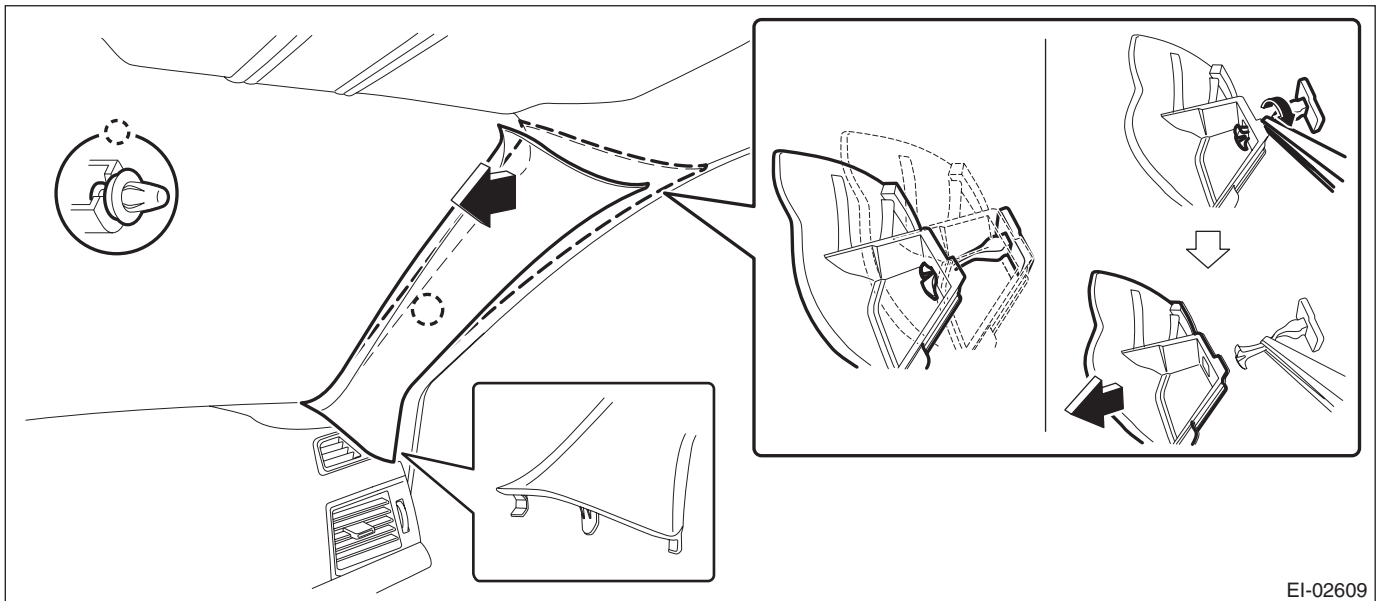
(2) Insert long-nose pliers into the top part of the trim, grip the tether clip with the pliers and twist 90° in that position.

CAUTION:

Be careful not to damage the pillar trim surface and curtain airbag module when inserting the pliers.

(3) While holding the tether clip twisted as in the previous step, remove the front pillar trim from the tether clip.

(4) Remove the clip and the front pillar trim.



EI-02609

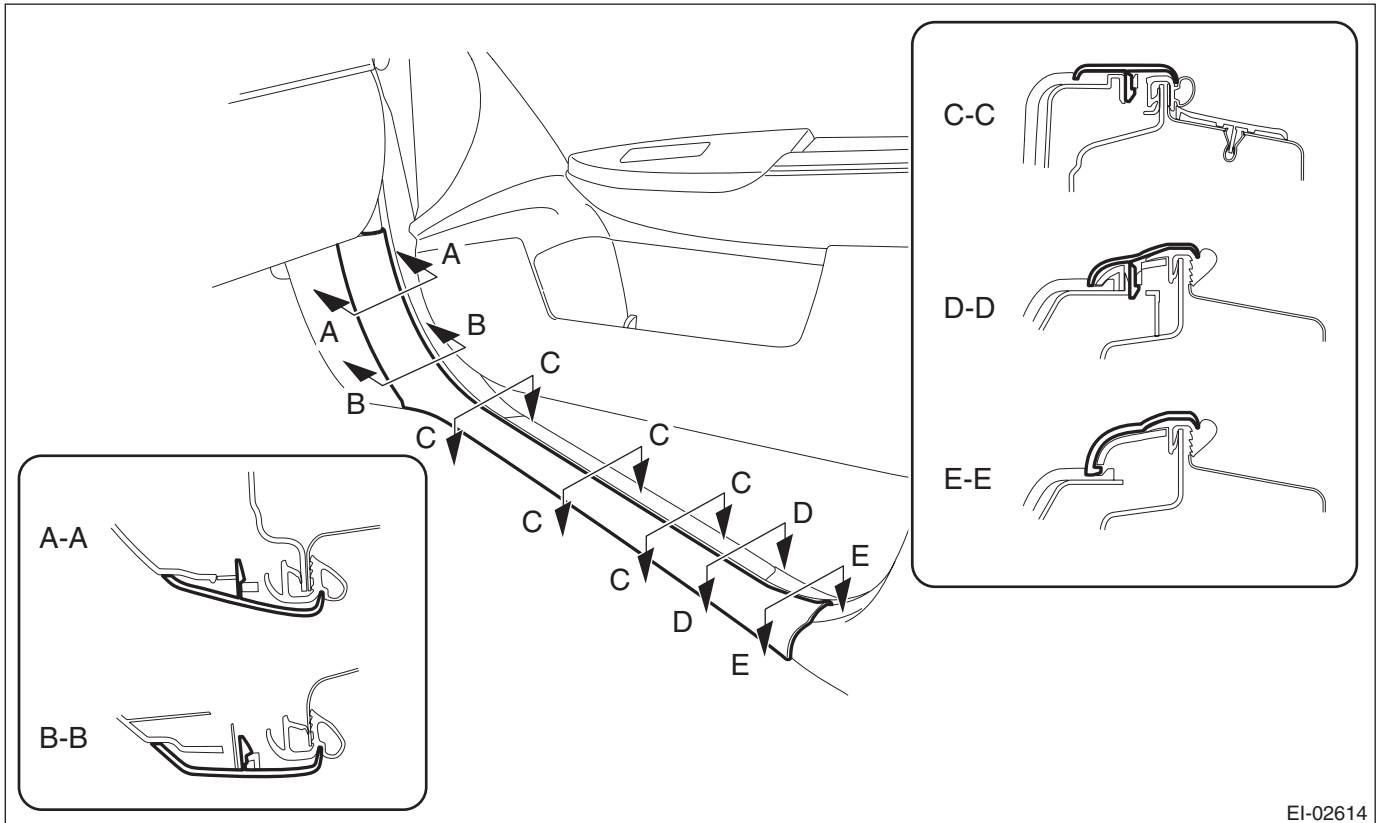
Upper Inner Trim

EXTERIOR/INTERIOR TRIM

2) Release the claws, and then remove the side sill cover - front INN.

CAUTION:

Do not pull with excessive force. Doing so may damage the claws of the side sill cover INN.



NOTE:

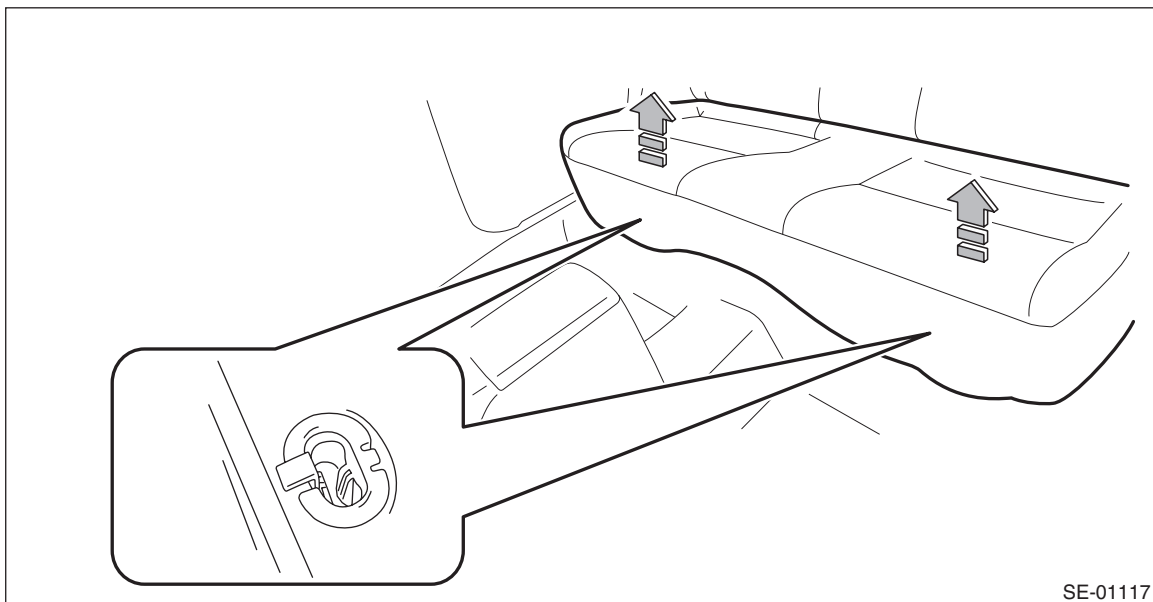
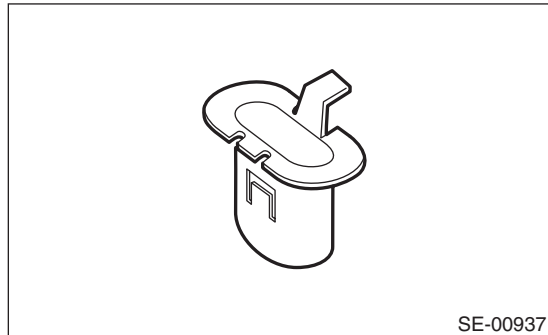
To release the claws of the side sill cover INN, the following steps are recommended.

1. Take out the weather strip from under the side sill cover INN.
2. Turn over the floor mat and release the claw (C-C) by accessing from behind the side sill cover INN.

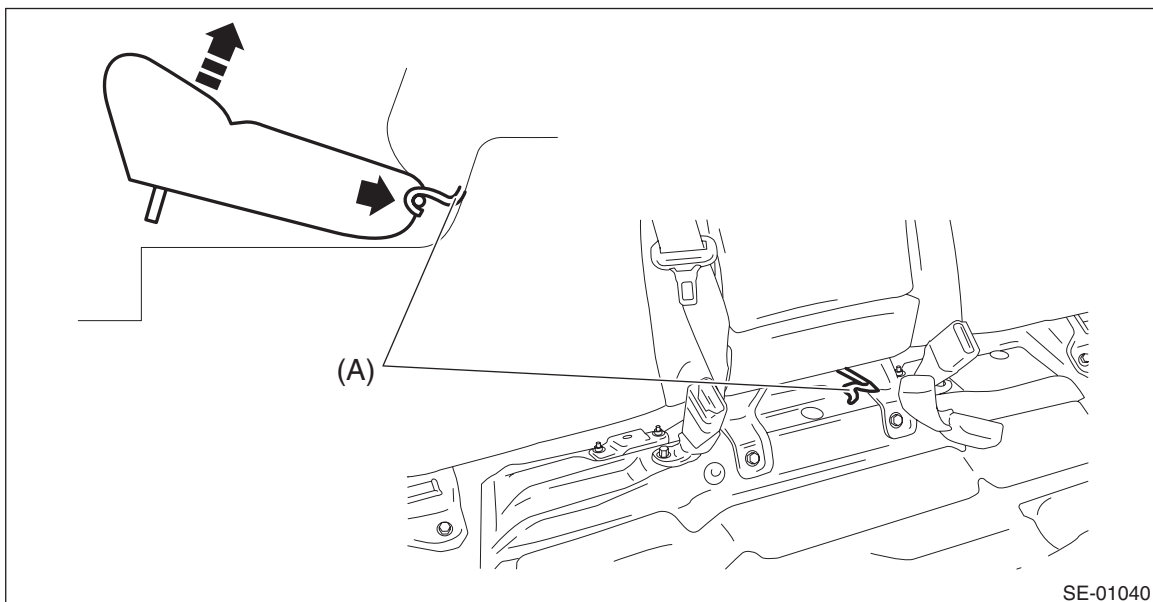
- 3) Remove the rear seat cushion assembly.
(1) Pull up the seat cushion and release the hook.

CAUTION:

If the hook is disconnected from the vehicle body, replace the hook with the new part to prevent the decline of the fixed force of the seat.



- (2) Remove the hook (A) by pushing it back while lifting the front side of the seat cushion, and remove the seat cushion.



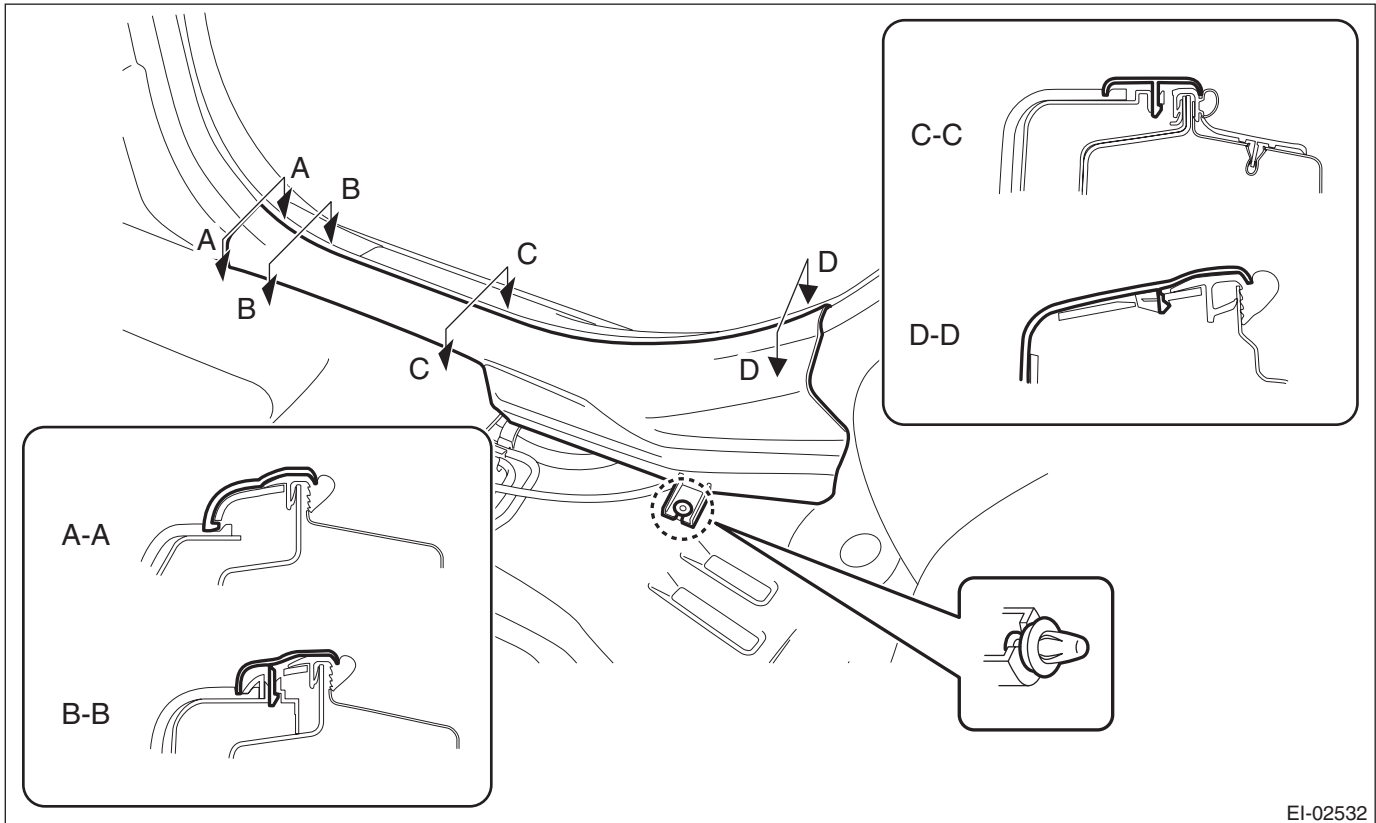
Upper Inner Trim

EXTERIOR/INTERIOR TRIM

4) Release the clips and claws, and then remove the side sill cover - rear INN.

CAUTION:

Do not pull with excessive force. Doing so may damage the claws of the side sill cover INN.



EI-02532

NOTE:

To release the claws of the side sill cover INN, the following steps are recommended.

1. Take out the weather strip from under the side sill cover INN.
2. Turn over the floor mat and release the claw (C-C and D-D) by accessing from behind the side sill cover INN.

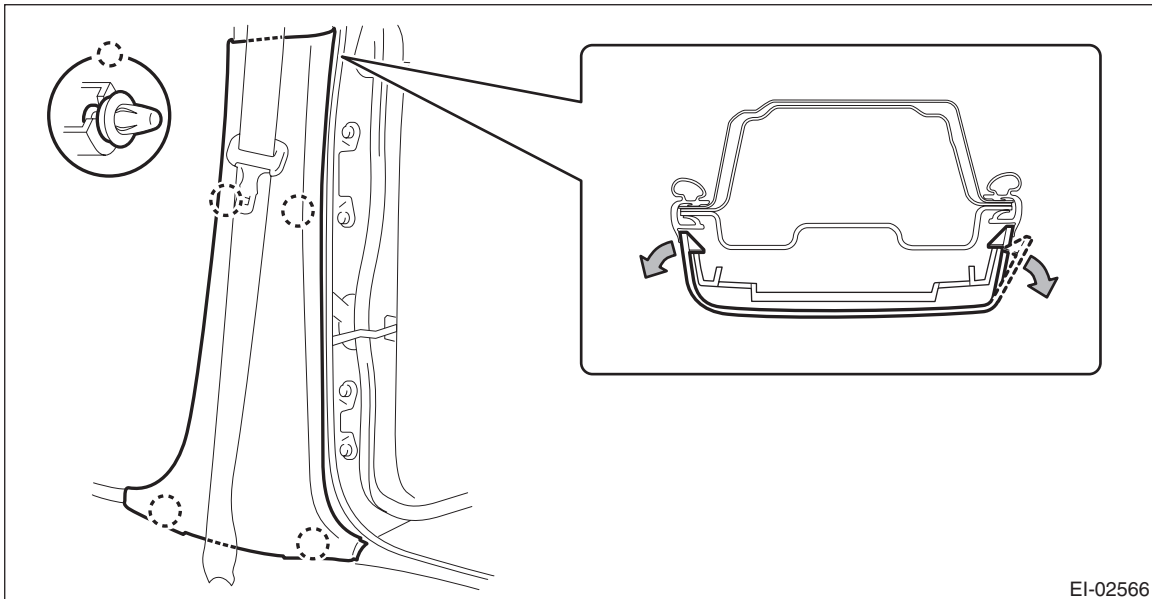
5) Remove the center pillar trim LWR.

(1) Release the clip by pulling the center pillar trim LWR toward you.

(2) Expand the claws of center pillar trim LWR outward and remove it from the center pillar trim UPR.

CAUTION:

Do not expand the center pillar trim LWR excessively. Doing so may damage the trim.

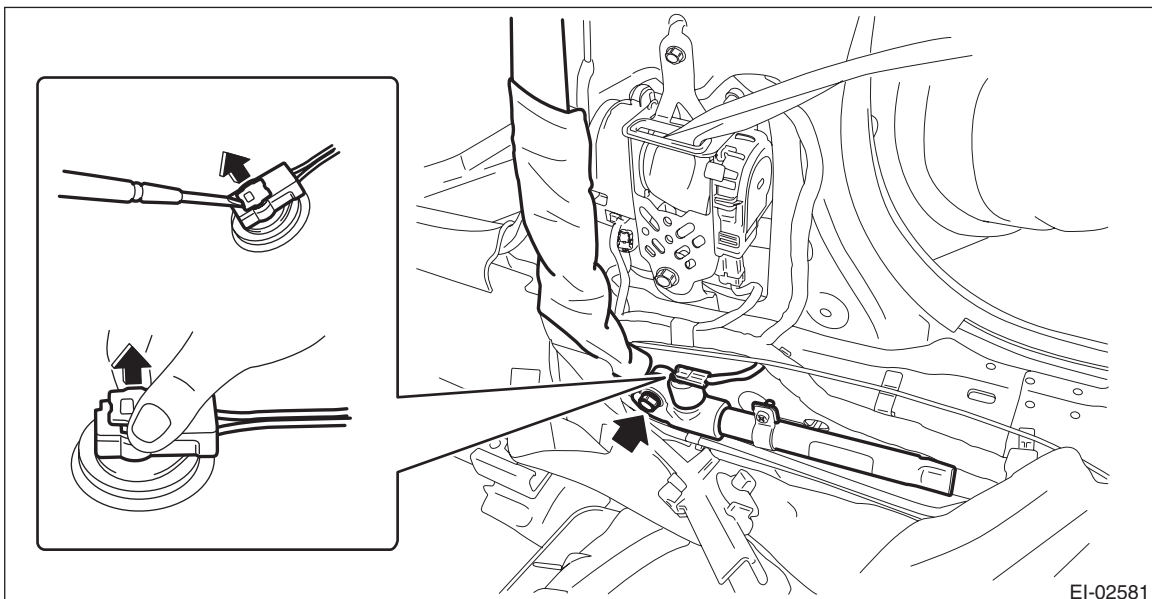


NOTE:

First release the claw located to the rear of the vehicle.

6) Remove the center pillar trim UPR.

(1) Also disconnect the connector of lap seat belt pretensioner, and remove the seat belt lower anchor bolt.



(2) Release the clip by pulling the lower part of the trim toward you.

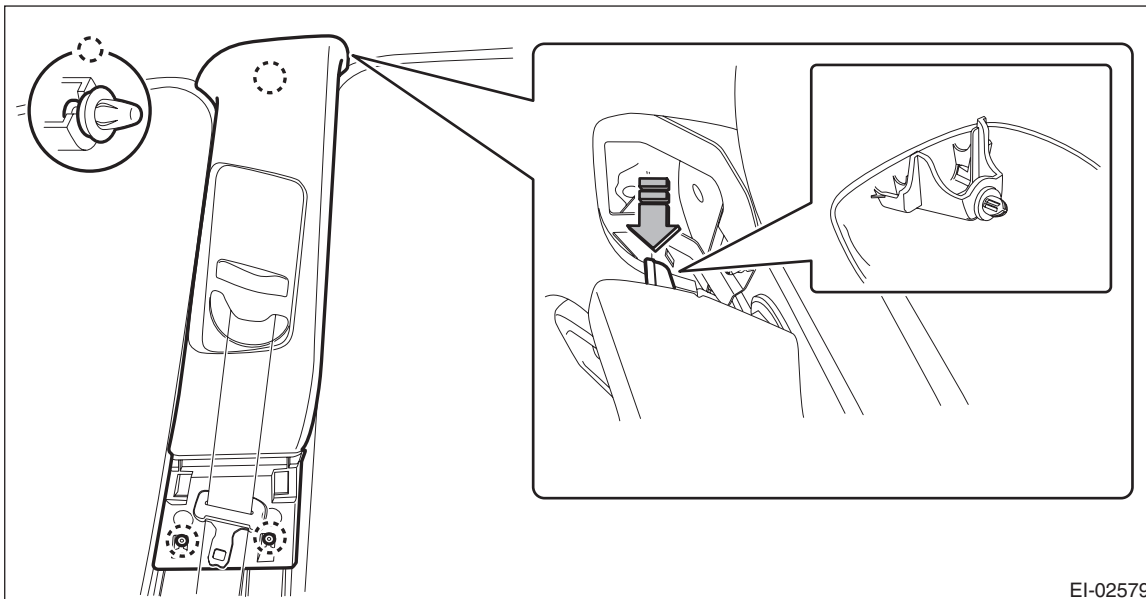
Upper Inner Trim

EXTERIOR/INTERIOR TRIM

(3) Remove the clip by pulling the upper part of the trim toward you, and while lowering the entire trim, remove the center pillar trim UPR.

CAUTION:

Do not reuse the upper clips of the center pillar trim UPR. Once the clip is removed, its holding force is reduced. Be sure to replace it with a new clip.



(4) Pull out the seat belt and remove the center pillar trim UPR.

B: INSTALLATION

CAUTION:

- Do not reuse the tether clips on the upper part of the front pillar trim. Always replace with a new part.

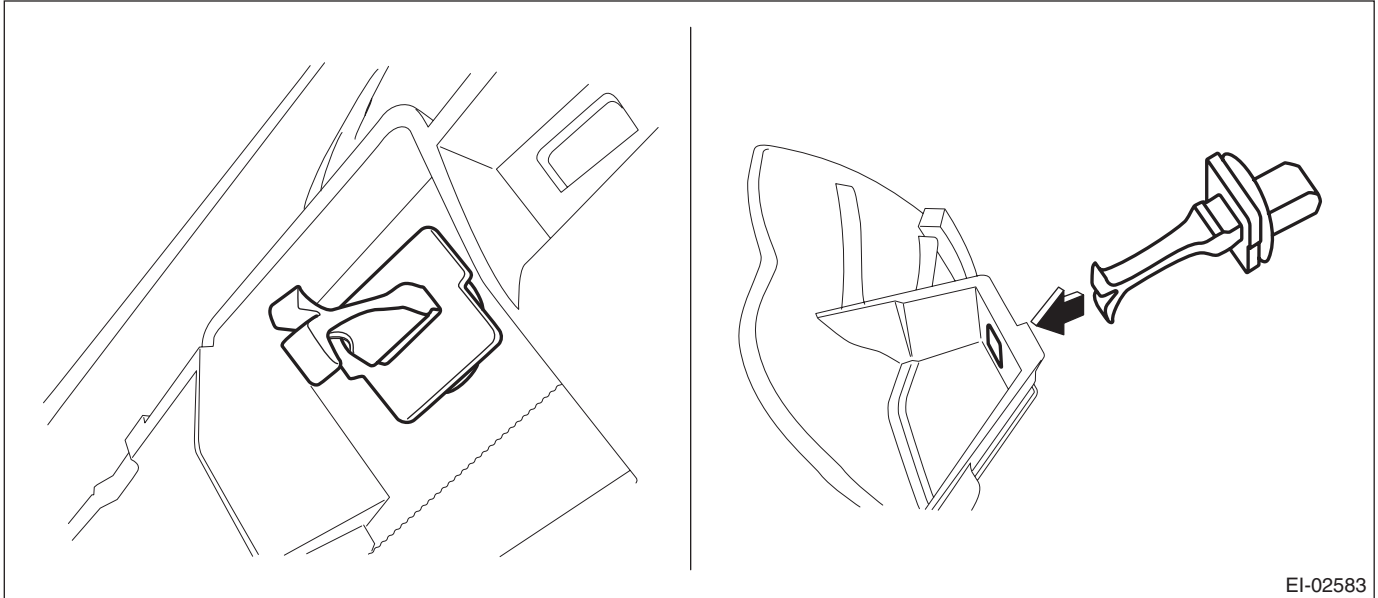
Once the tether clip is removed from the pillar trim, the retention power deteriorates and the front pillar trim may come off.

- Do not reuse the clips in the upper section of the center pillar trim. Once the clip is removed, its holding force is reduced. Be sure to replace it with a new clip.

- Before installing the front pillar trim, check the condition of (white) protective unwoven cloth of curtain airbag. If it is damaged (airbag module cloth is exposed), replace the curtain airbag module assembly with a new part.

- 1) Remove the remaining tether clips from the vehicle body.
- 2) Prepare new tether clip and install it to the front pillar trim.

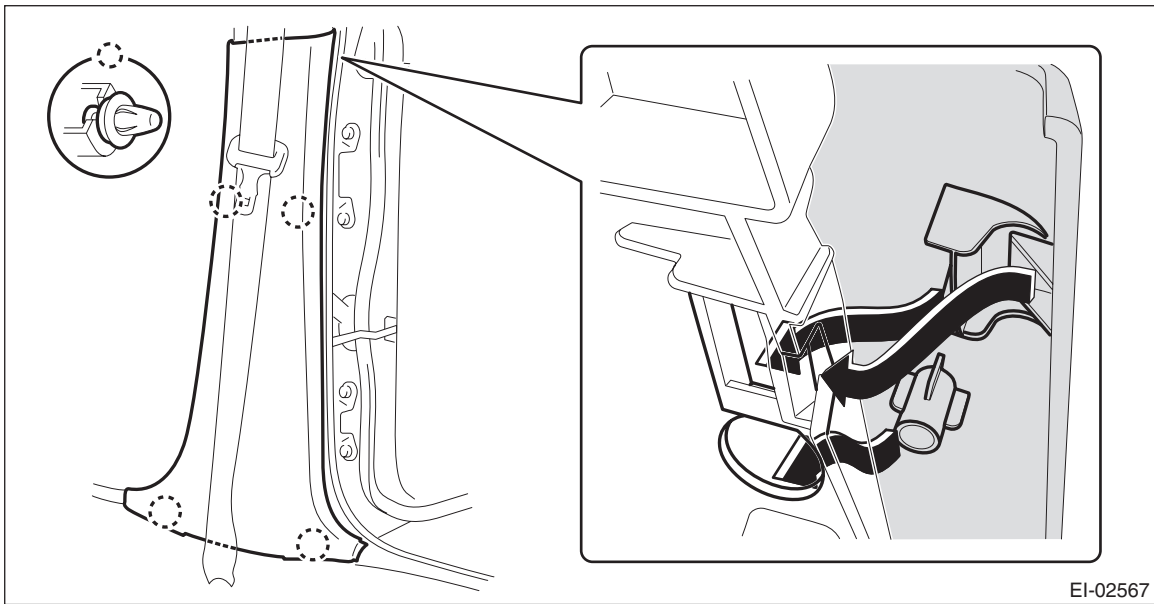
3) Install the front pillar trim.



4) Assemble the center pillar trim LWR to the center pillar trim UPR securely.

CAUTION:

Do not forget to install the seat belt.



Upper Inner Trim

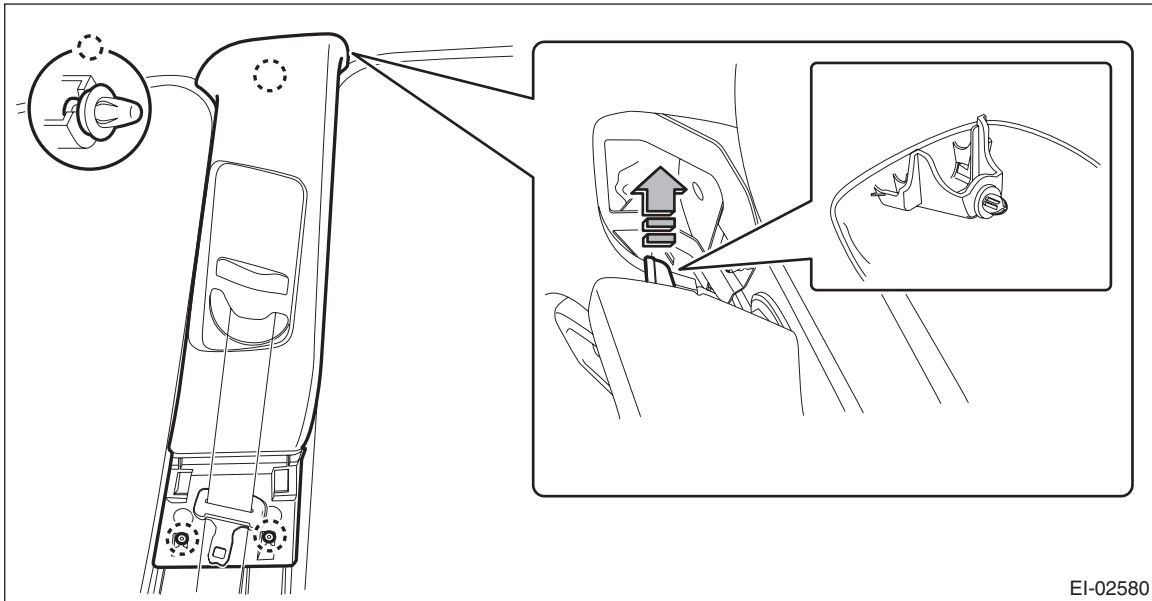
EXTERIOR/INTERIOR TRIM

5) Assemble the center pillar trim LWR and center pillar trim UPR to the body.

CAUTION:

Do not reuse the clips in the upper section of the pillar trim. Once the clip is removed, its holding force is reduced. Be sure to replace it with a new clip.

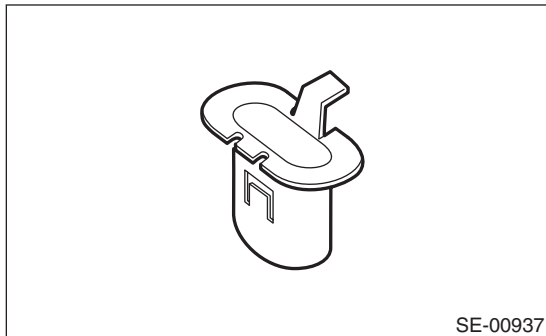
- (1) Guide the seat belt through the center pillar trim UPR.
- (2) Insert the upper claws of the pillar trim.
- (3) Attach the pillar trim by fitting the lower clips to the body.



6) Install each part in the reverse order of removal.

CAUTION:

If the hook is disconnected from the vehicle body, replace the hook with the new part to prevent the decline of the fixed force of the seat.



Tightening torque

Front seat belt: <Ref. to SB-2, FRONT SEAT BELT, COMPONENT, General Description.>