

21. Rear Quarter Trim

A: REMOVAL

1. SEDAN MODEL

1) Disconnect the ground cable from battery and wait for at least 60 seconds before starting work.

CAUTION:

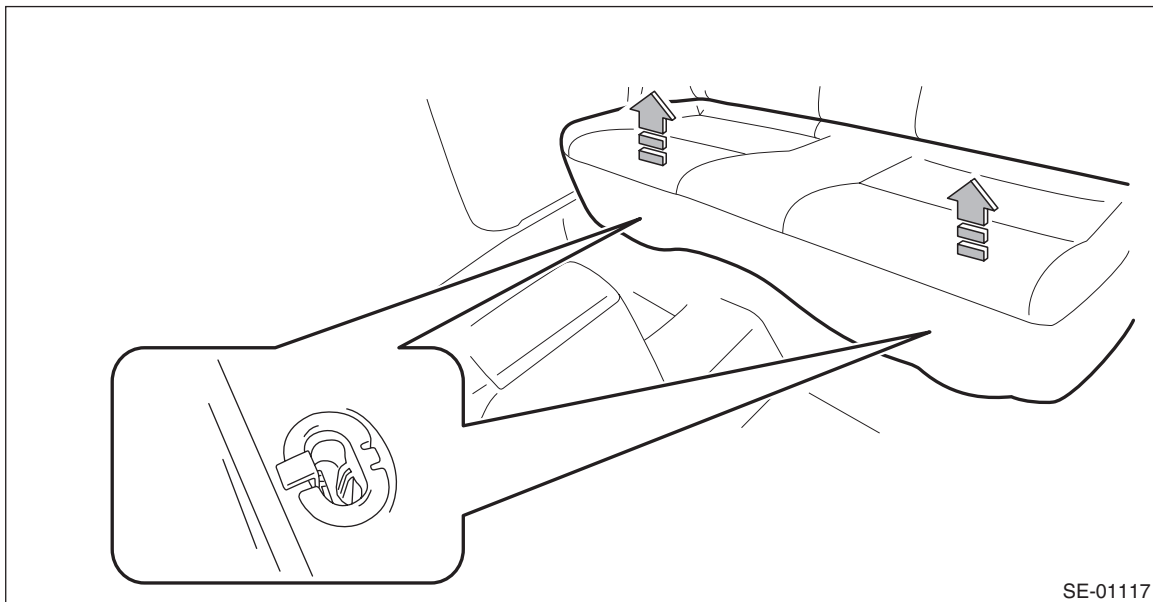
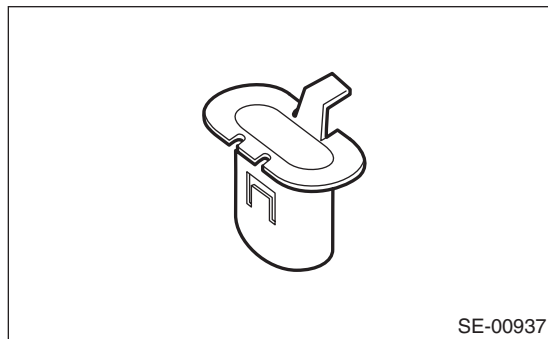
The airbag system is fitted with a backup power supply. After disconnecting the battery ground cable, the airbag may operate if you do not wait for 60 seconds before starting the service of airbag system.

2) Remove the rear seat cushion assembly.

(1) Pull up the seat cushion and release the hook.

CAUTION:

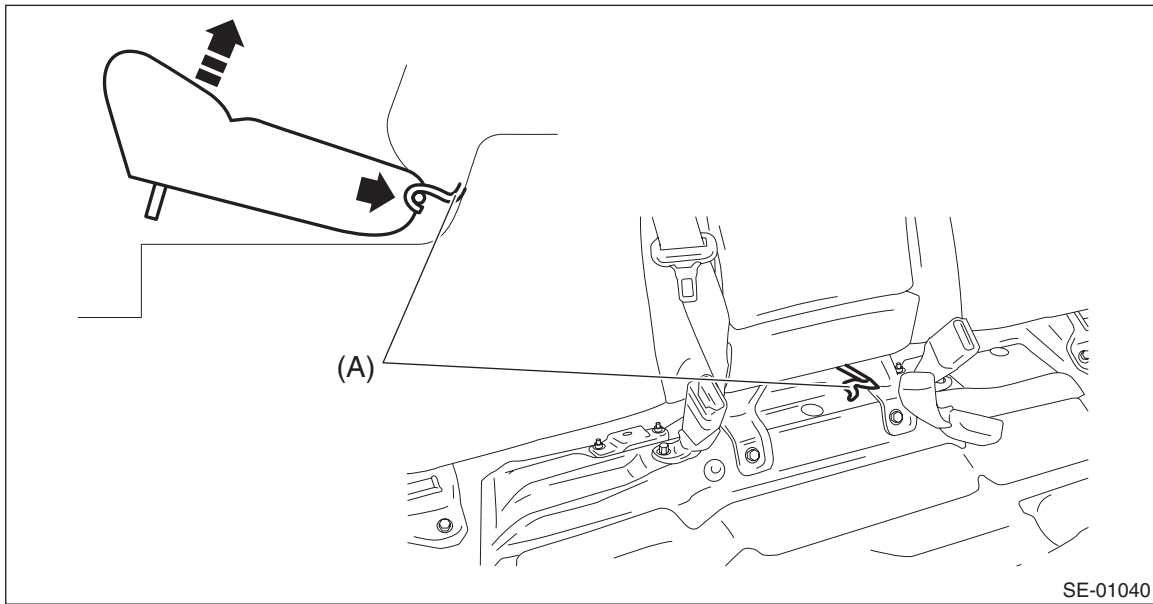
If the hook is disconnected from the vehicle body, replace the hook with the new part to prevent the decline of the fixed force of the seat.



Rear Quarter Trim

EXTERIOR/INTERIOR TRIM

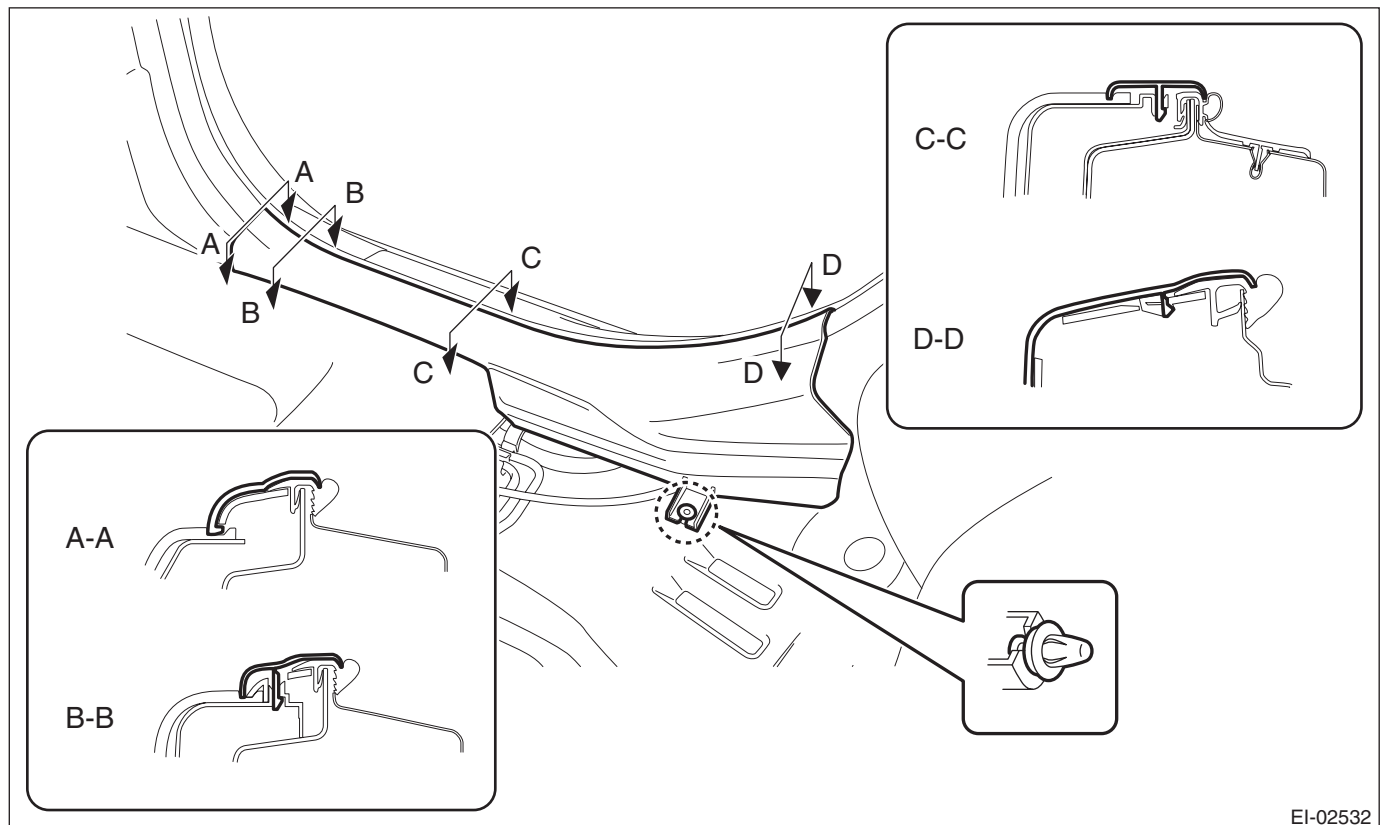
(2) Remove the hook (A) by pushing it back while lifting the front side of the seat cushion, and remove the seat cushion.



3) Release the clips and claws, and then remove the side sill cover - rear INN.

CAUTION:

Do not pull with excessive force. Doing so may damage the claws of the side sill cover INN.



NOTE:

To release the claws of the side sill cover INN, the following steps are recommended.

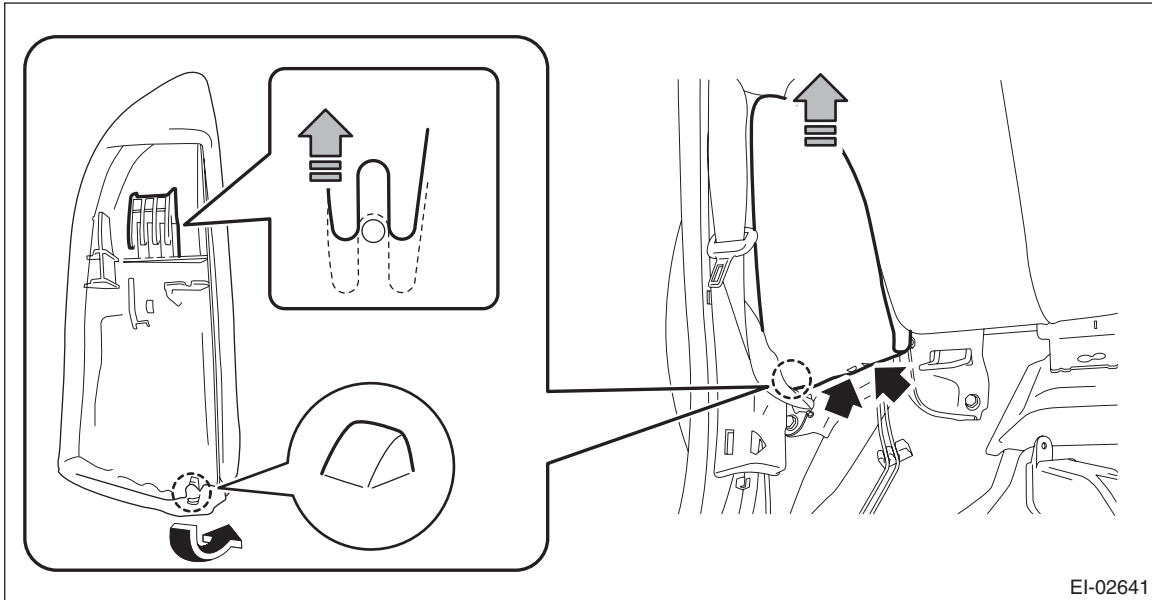
1. Take out the weather strip from under the side sill cover INN.
2. Turn over the floor mat and release the claw (C-C and D-D) by accessing from behind the side sill cover INN.

- 4) Remove the rear quarter trim LWR.
 - (1) Remove the backrest side pad.
 - a) Remove the screws.

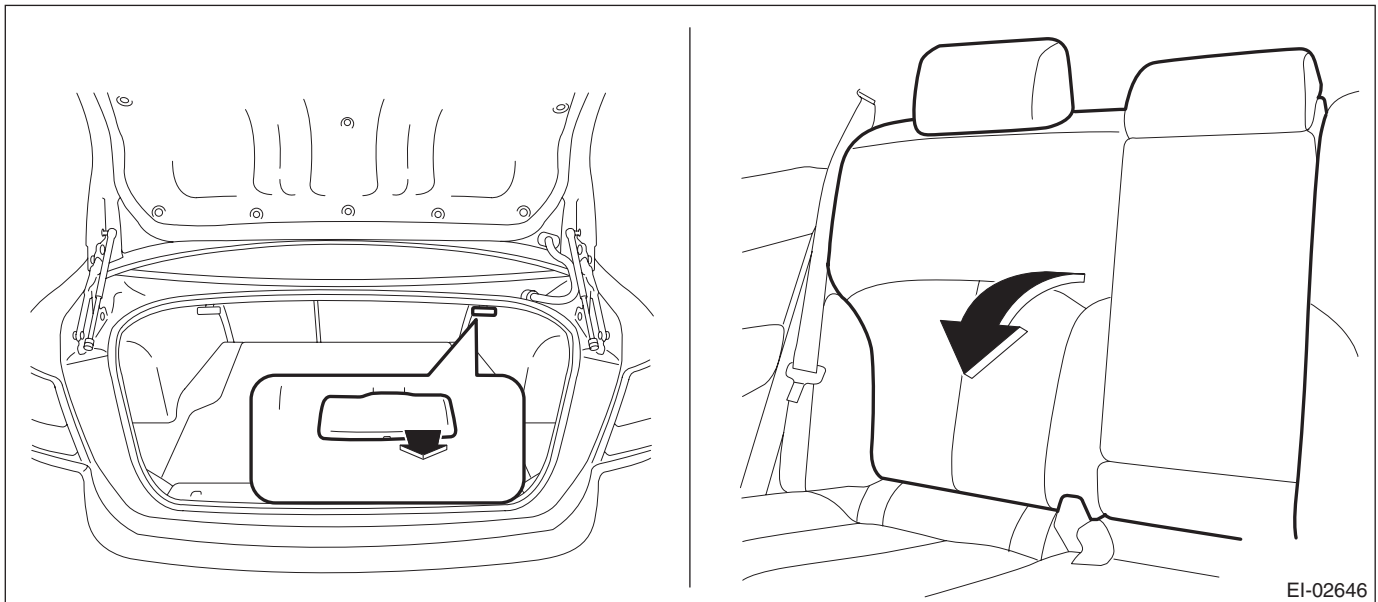
Preparation tool:

Stubby screwdriver

- b) Turn over the bottom end of the backrest side pad in the forward direction so that the claws are released.
- c) Remove the backrest side pad by pulling it up.



- (2) Pull the release lever in the trunk room, and then tilt the backrest forward.

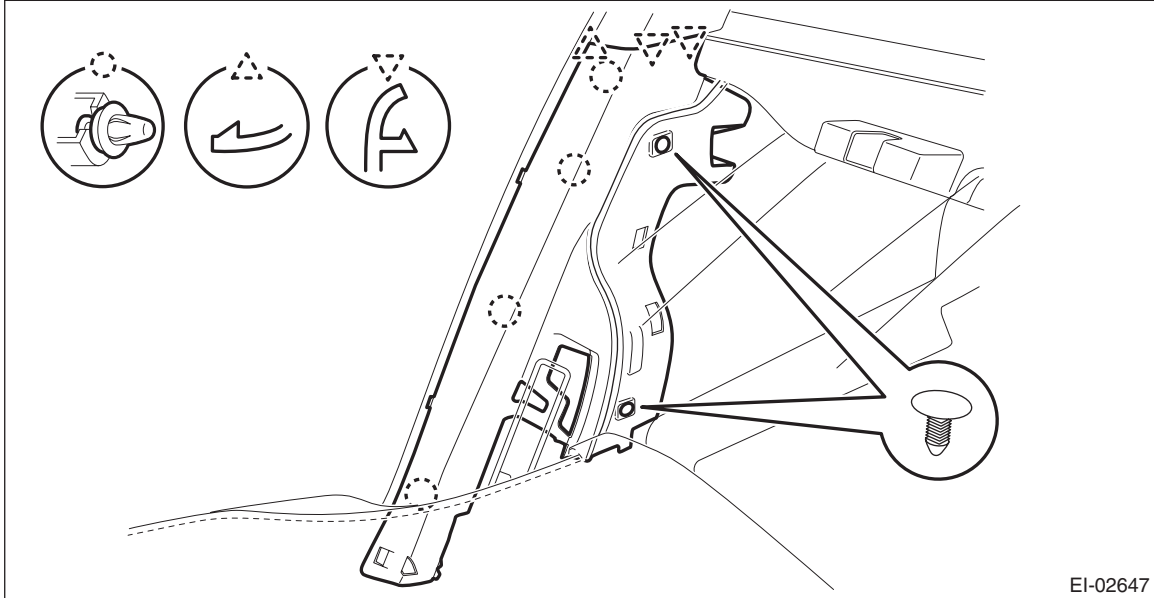


- (3) Release the clips of the trunk trim panel assembly - side.

Rear Quarter Trim

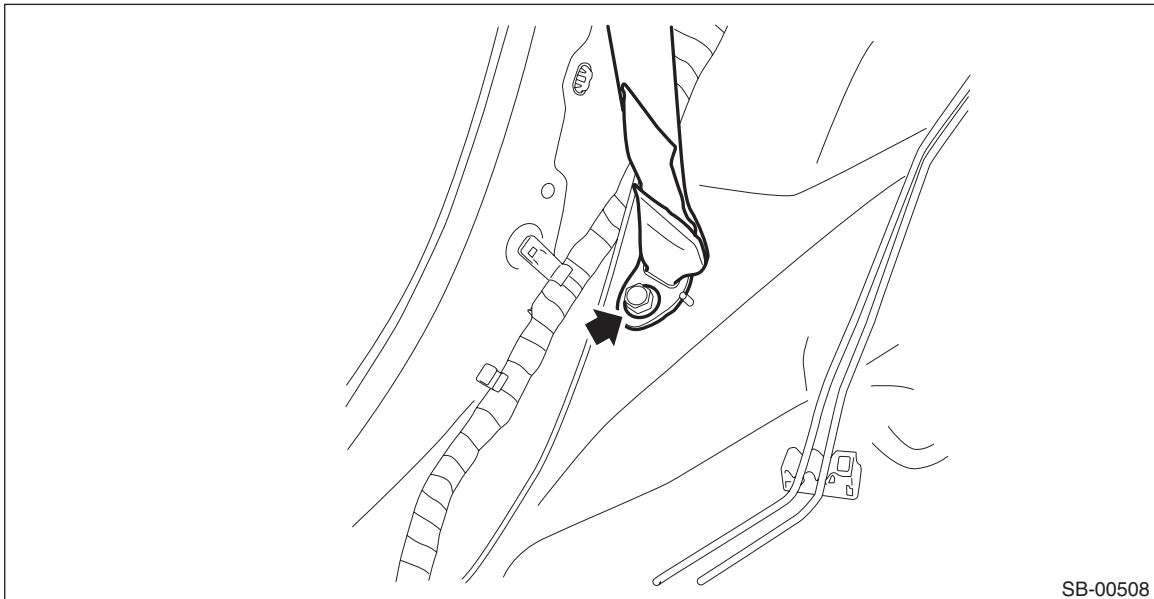
EXTERIOR/INTERIOR TRIM

- (4) Remove the clips, and remove the rear quarter trim LWR.

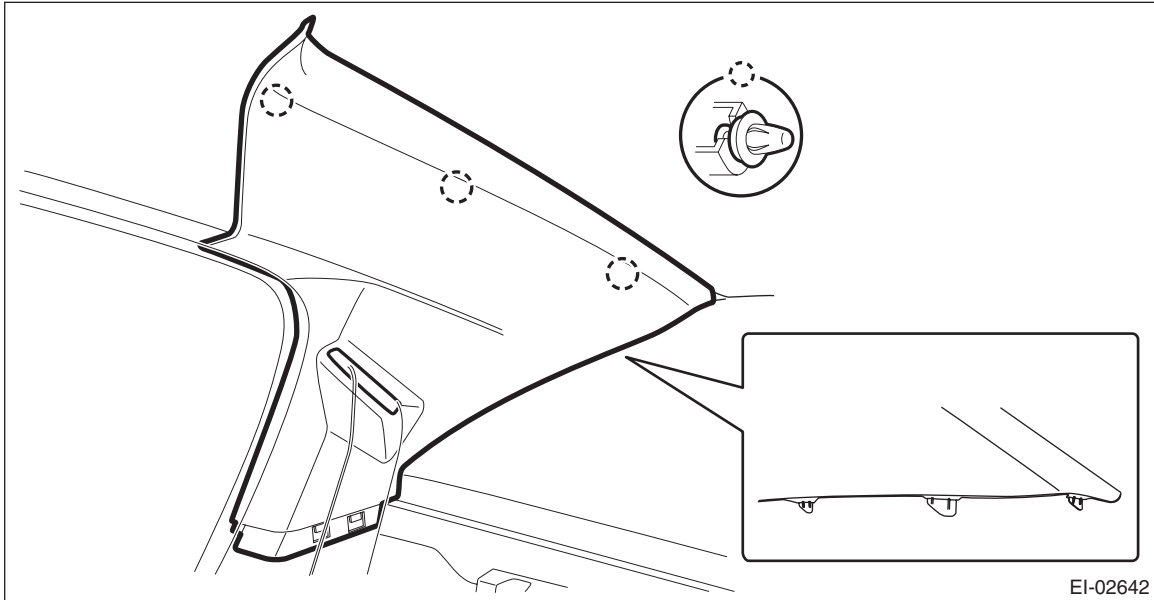


- 5) Remove the rear quarter trim UPR.

- (1) Remove the lower anchor bolt of the outer belt assembly.



- (2) Release the clips, and remove the rear quarter trim UPR.



- (3) Pull out the seat belt and remove the rear quarter trim UPR.

2. OUTBACK MODEL

- 1) Disconnect the ground cable from battery and wait for at least 60 seconds before starting work.

CAUTION:

The airbag system is fitted with a backup power supply. After disconnecting the battery ground cable, the airbag may operate if you do not wait for 60 seconds before starting the service of airbag system.

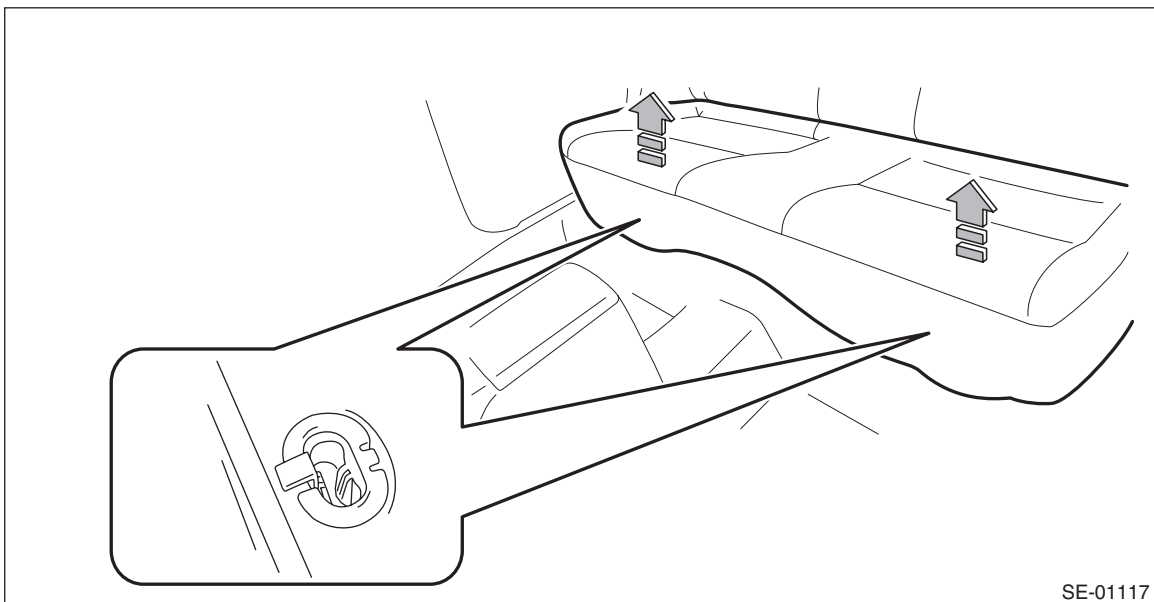
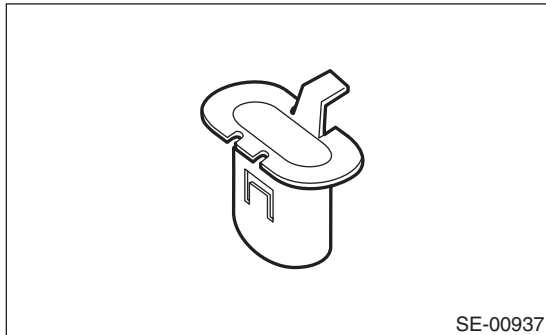
Rear Quarter Trim

EXTERIOR/INTERIOR TRIM

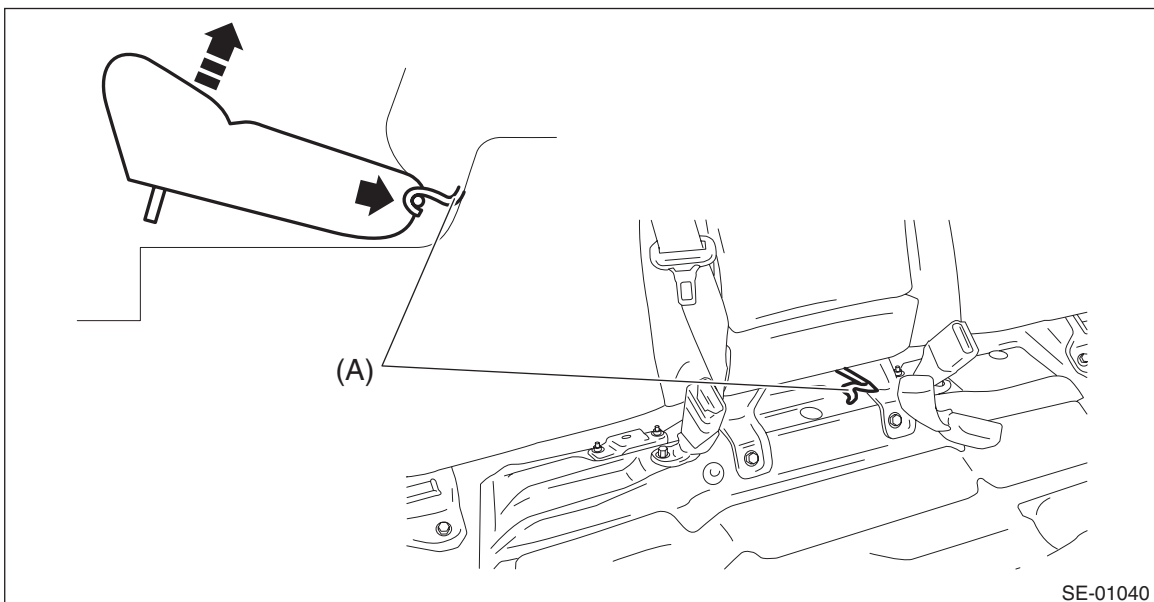
- 2) Remove the rear seat cushion assembly.
 - (1) Pull up the seat cushion and release the hook.

CAUTION:

If the hook is disconnected from the vehicle body, replace the hook with the new part to prevent the decline of the fixed force of the seat.



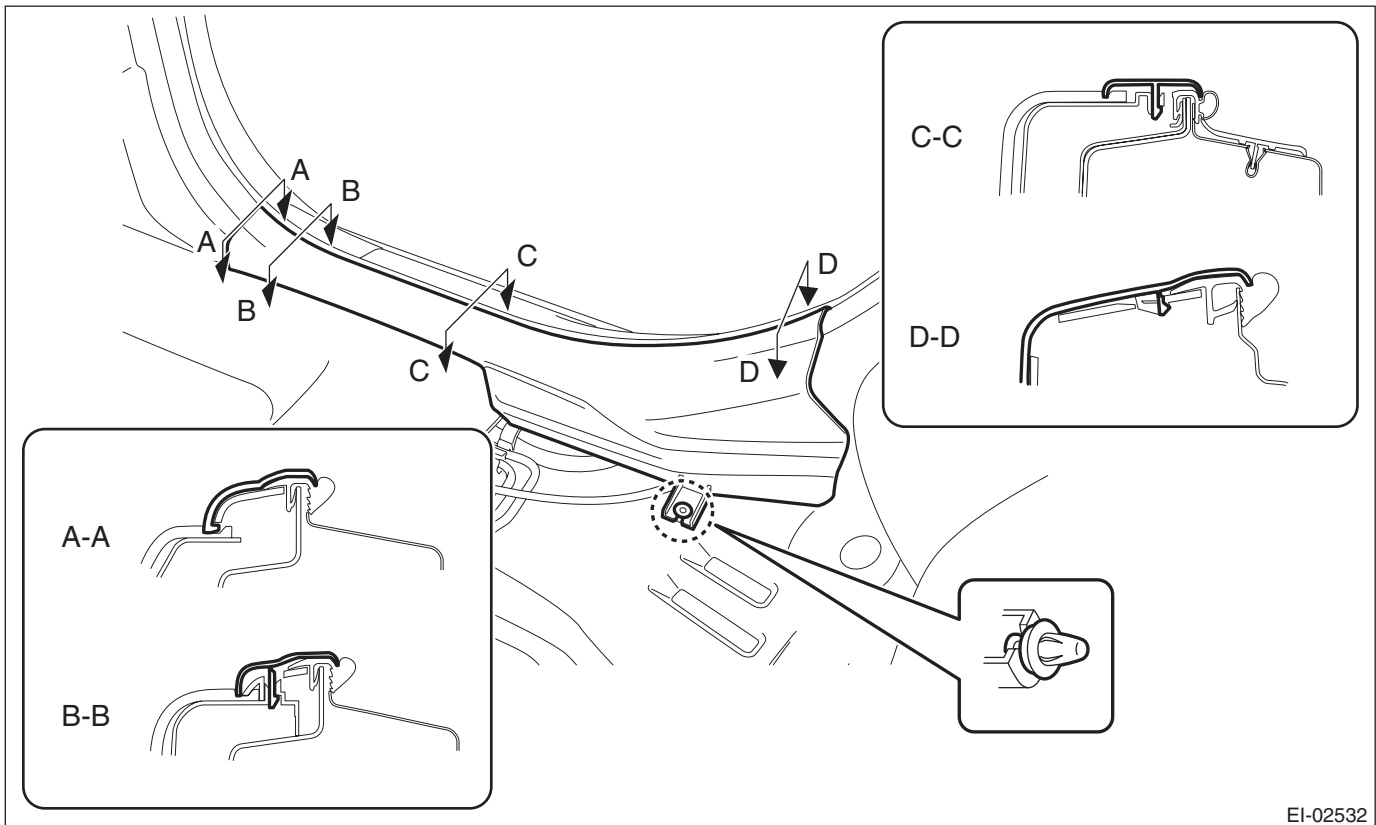
- (2) Remove the hook (A) by pushing it back while lifting the front side of the seat cushion, and remove the seat cushion.



3) Release the clips and claws, and then remove the side sill cover - rear INN.

CAUTION:

Do not pull with excessive force. Doing so may damage the claws of the side sill cover INN.

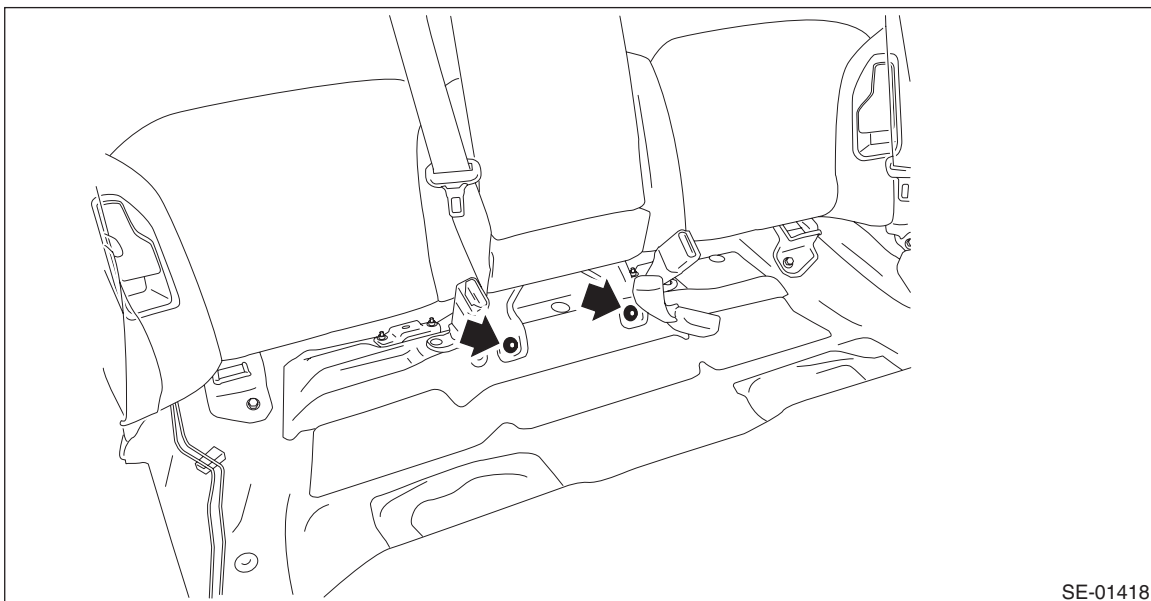


EI-02532

NOTE:

To release the claws of the side sill cover INN, the following steps are recommended.

1. Take out the weather strip from under the side sill cover INN.
2. Turn over the floor mat and release the claw (C-C and D-D) by accessing from behind the side sill cover INN.
- 4) Remove the headrest.
- 5) Remove the backrest assembly RH.
 - (1) Remove the hinge bolts at the front of the backrest assembly RH.

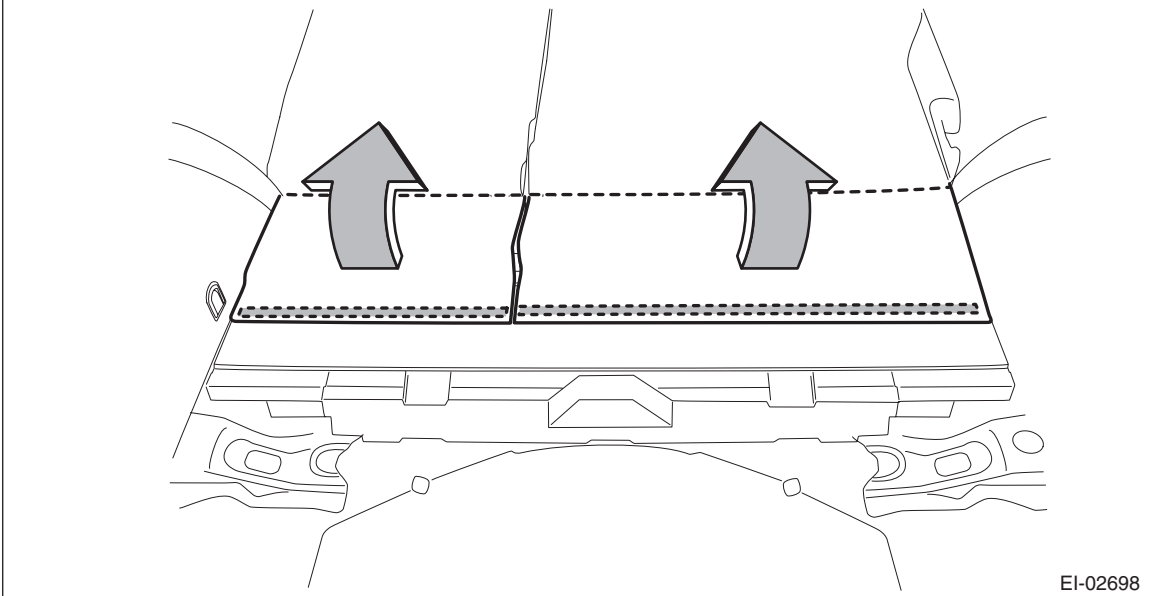


SE-01418

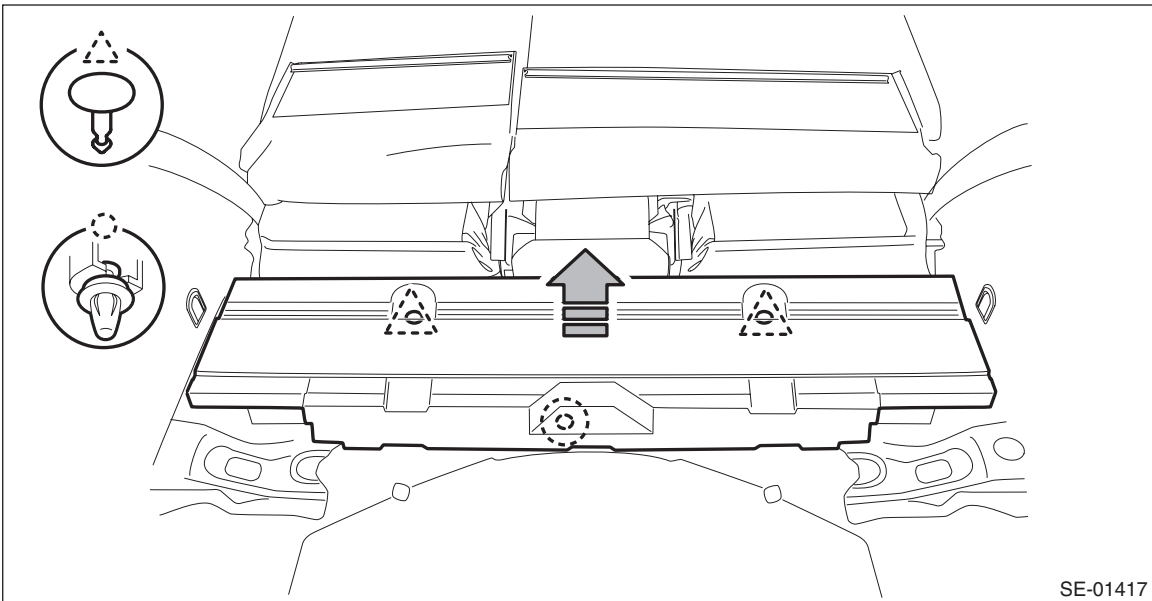
Rear Quarter Trim

EXTERIOR/INTERIOR TRIM

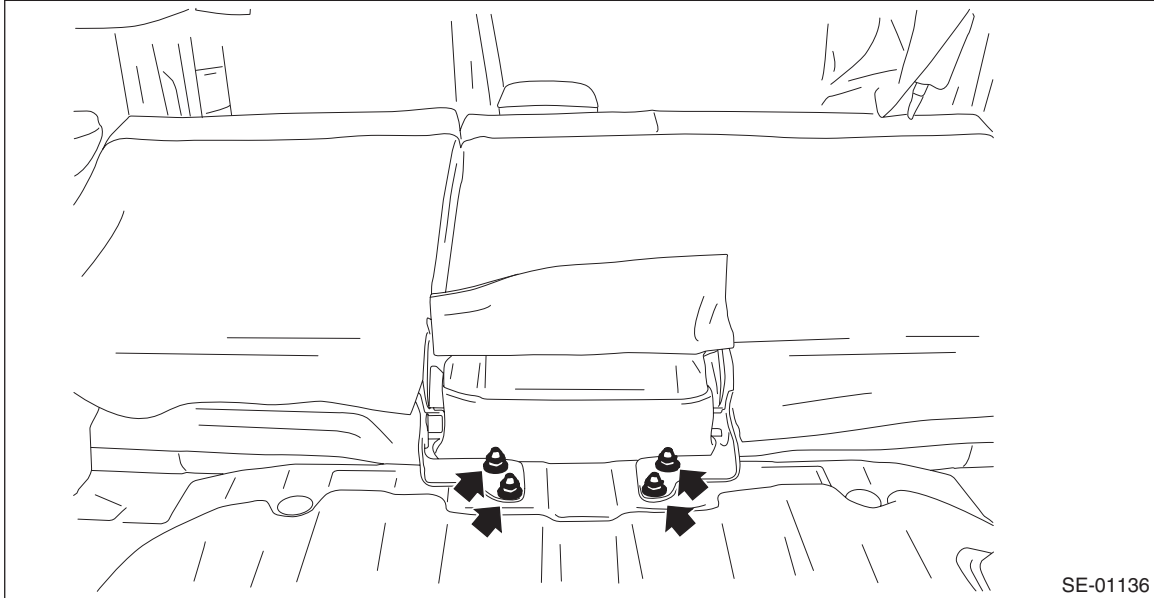
- (2) Tilt the backrest forward, and then turn over the backrest backside mat.



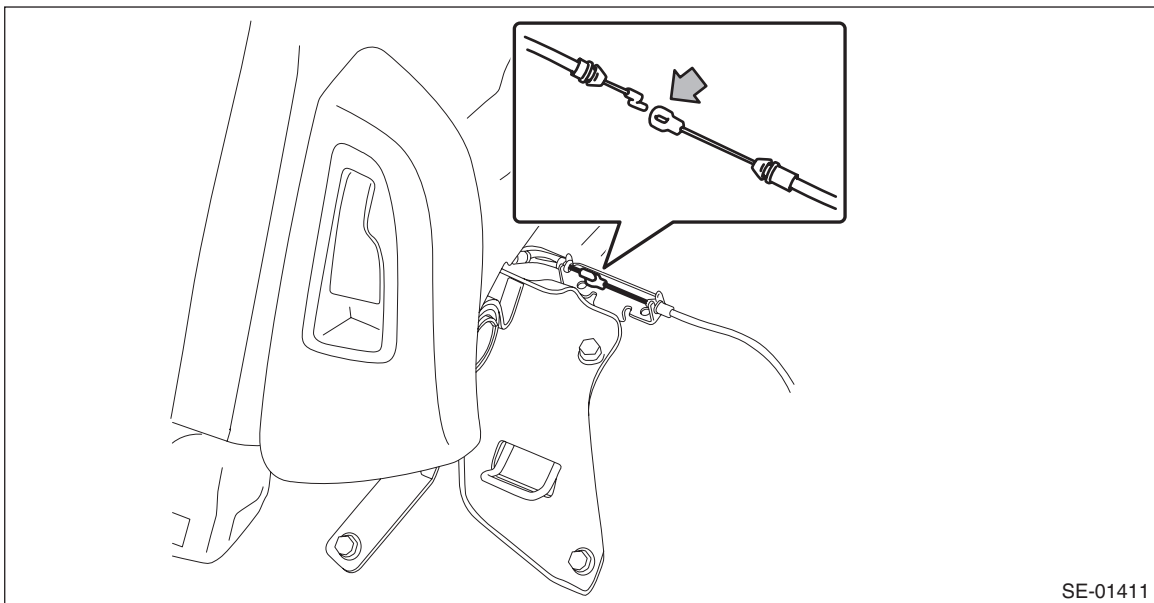
- (3) Remove the clips, and remove the rear floor mat - front.



(4) Remove the nuts at the rear of backrest hinge.



(5) Disconnect the backrest cable and reclining cable.



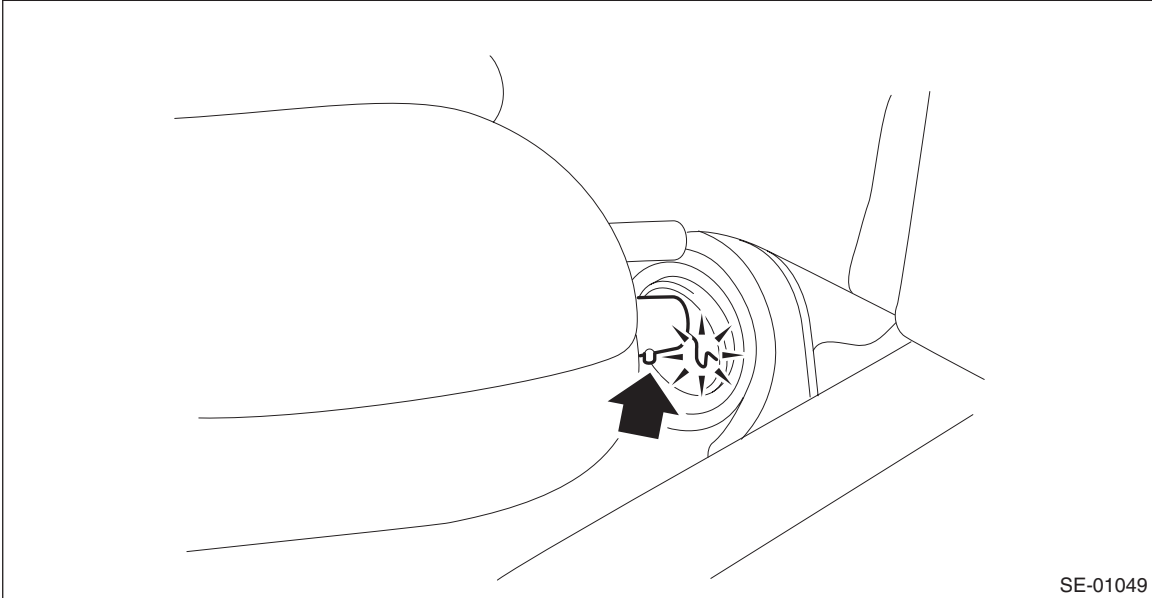
NOTE:

The backrests cannot be detached while pin positions of the hinge assembly and backrests are not aligned.

Rear Quarter Trim

EXTERIOR/INTERIOR TRIM

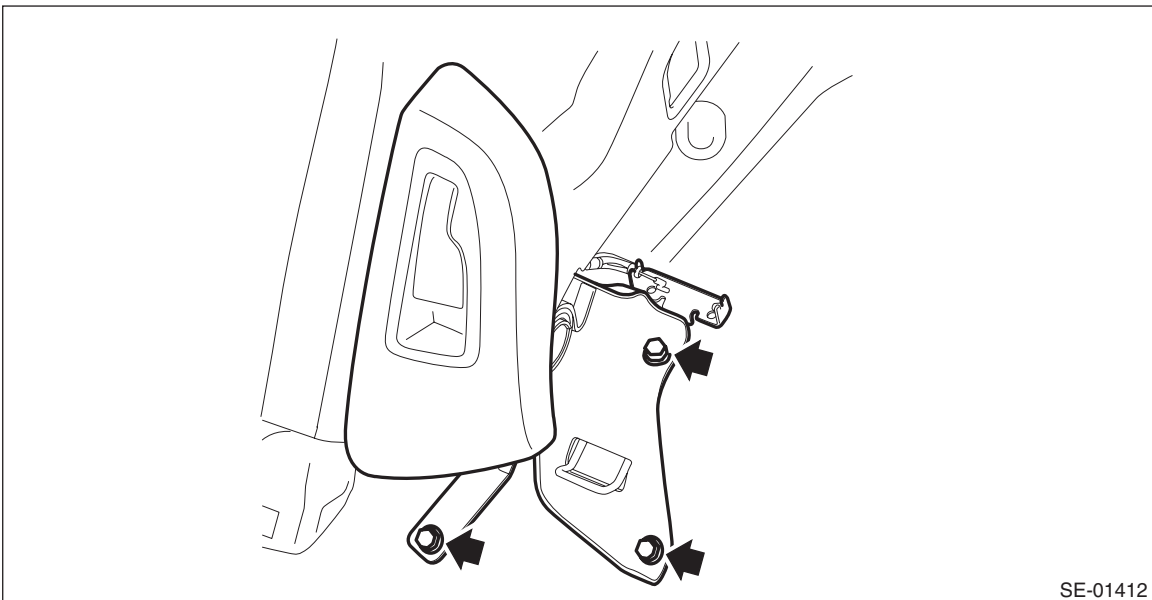
- (6) Remove the backrest assembly RH from the hinge assembly RH.



NOTE:

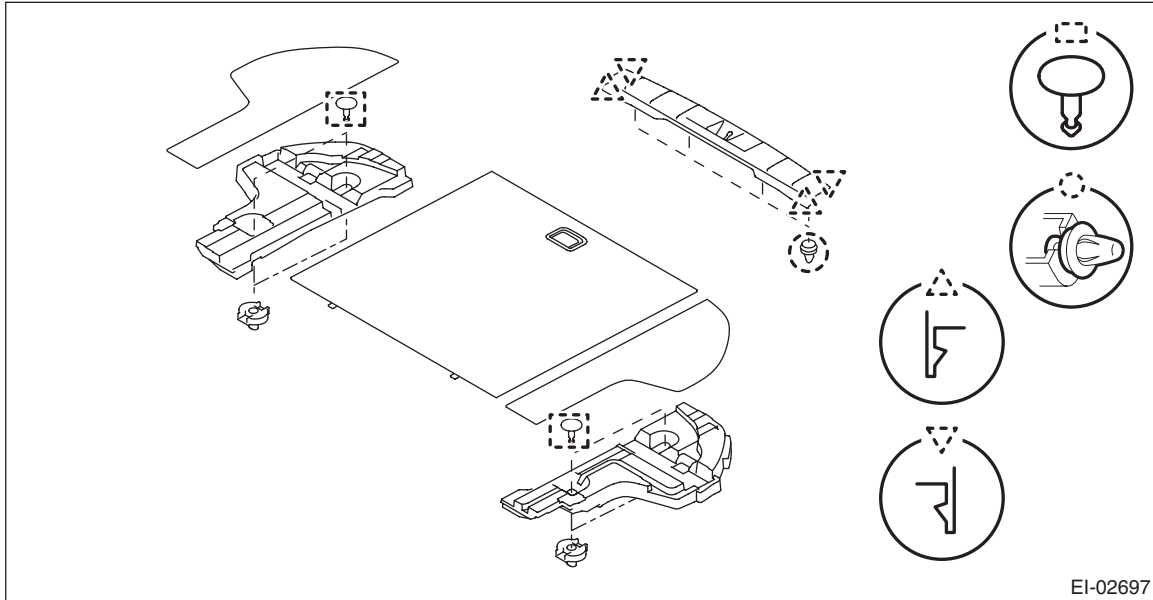
The backrests cannot be detached while pin positions of the hinge assembly and backrests are not aligned.

- (7) Take out the part outside the vehicle so that the body is not damaged by the hinges.
6) Remove the bolts, and remove the backrest side pad assembly RH.



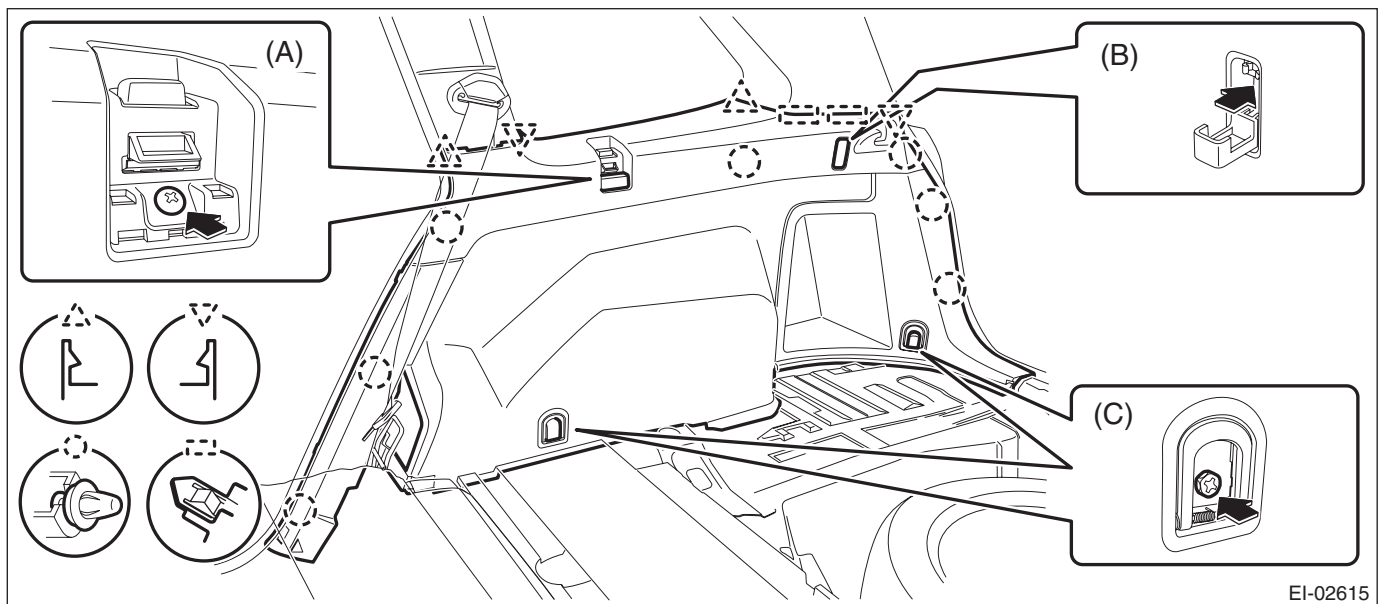
Rear Quarter Trim

7) Remove the clips, and remove the luggage floor box and rear floor edge cover.



8) Remove the rear quarter trim LWR.

- (1) Remove the caps, screws, and bolts. (A), (C)
- (2) Take out the hook and remove the screw inside. (B)
- (3) Remove the clips, and remove the rear quarter trim LWR.



Rear Quarter Trim

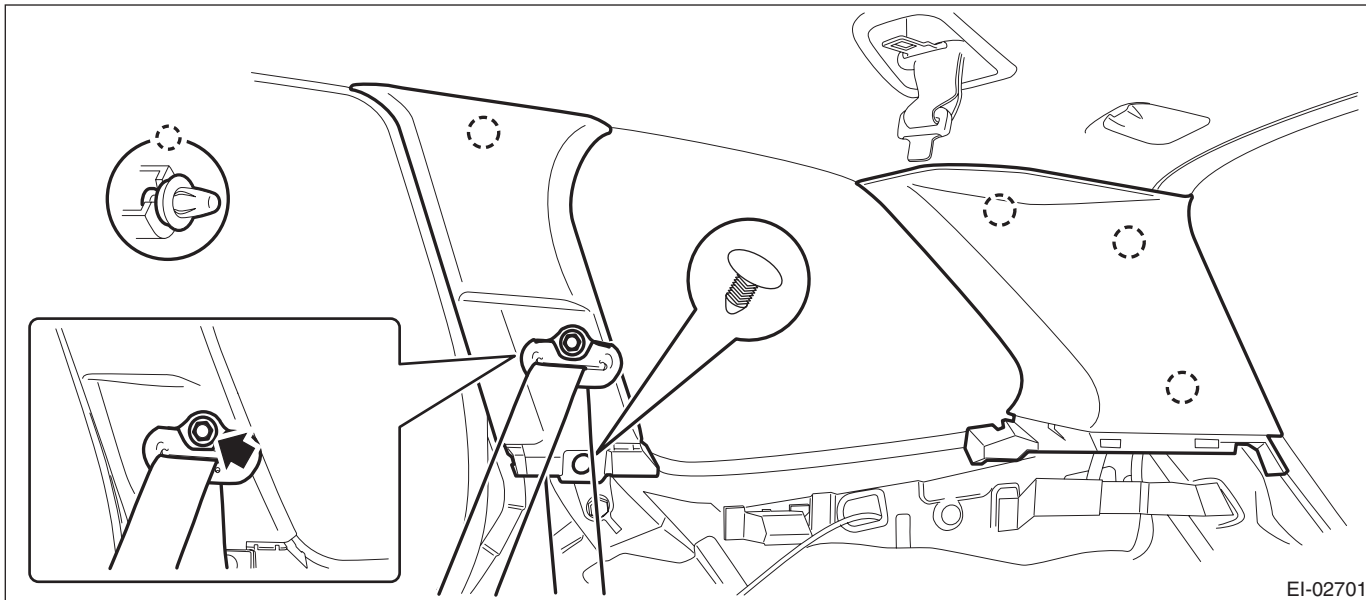
EXTERIOR/INTERIOR TRIM

9) Remove the rear quarter trim UPR.

(1) Open the cap and remove the bolt to remove the seat belt anchor.

(2) Remove the clips, and remove the rear quarter trim UPR - front.

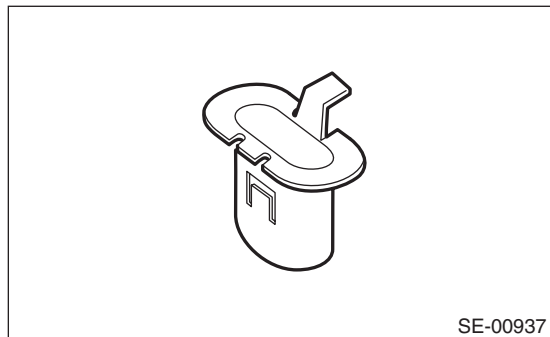
(3) Remove the clips, and remove the rear quarter trim UPR - rear.



B: INSTALLATION

CAUTION:

If the hook is disconnected from the vehicle body, replace the hook with the new part to prevent the decline of the fixed force of the seat.



Install each part in the reverse order of removal.

Tightening torque:

Sedan model

Rear seat belt: <Ref. to SB-3, REAR SEAT BELT (SEDAN MODEL), COMPONENT, General Description.>

OUTBACK model

Rear seat belt: <Ref. to SB-4, REAR SEAT BELT (OUTBACK MODEL), COMPONENT, General Description.>