

Trunk Room Trim

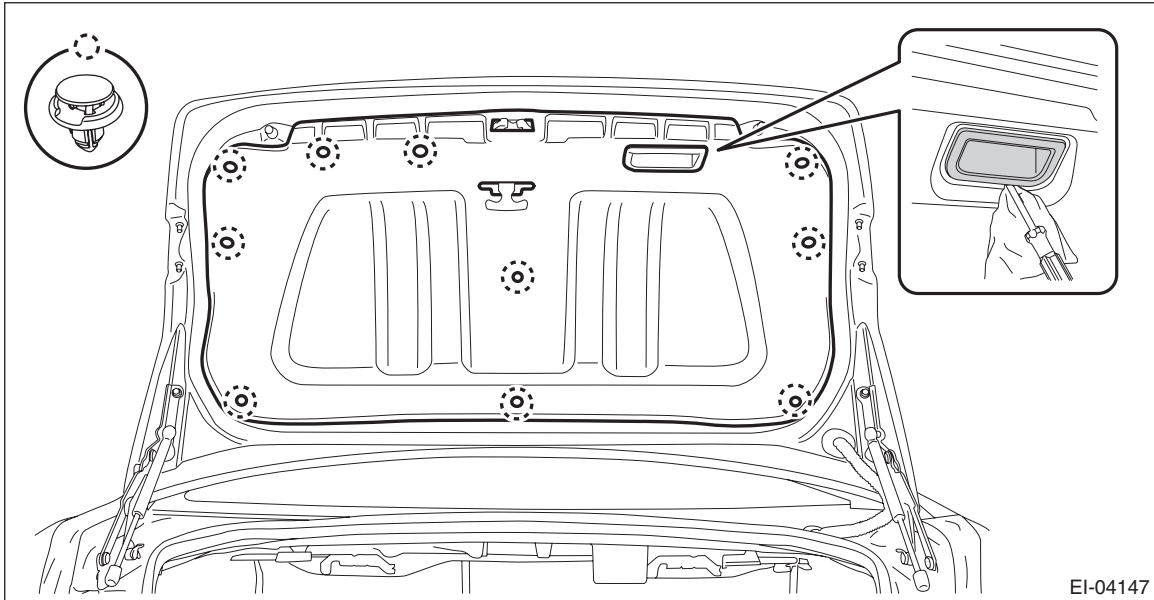
EXTERIOR/INTERIOR TRIM

23. Trunk Room Trim

A: REMOVAL

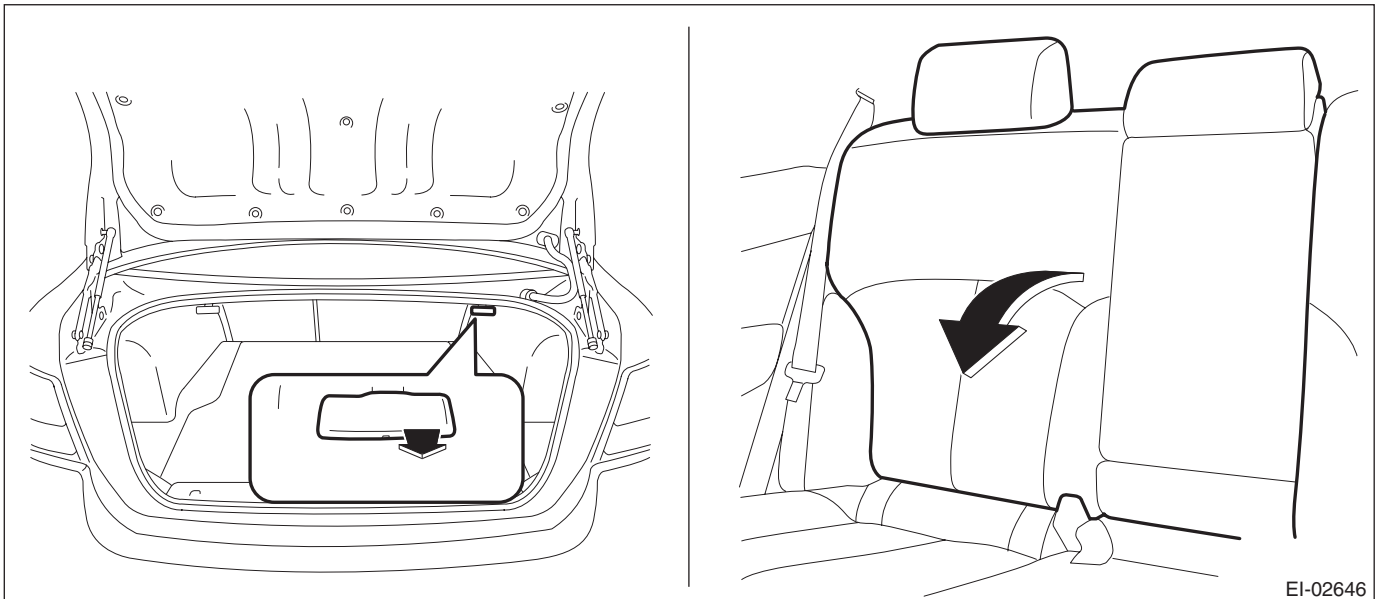
1. TRUNK LID TRIM

- 1) Open the trunk lid.
- 2) Remove the trunk handle.
- 3) Remove the clips and the trunk lid trim.



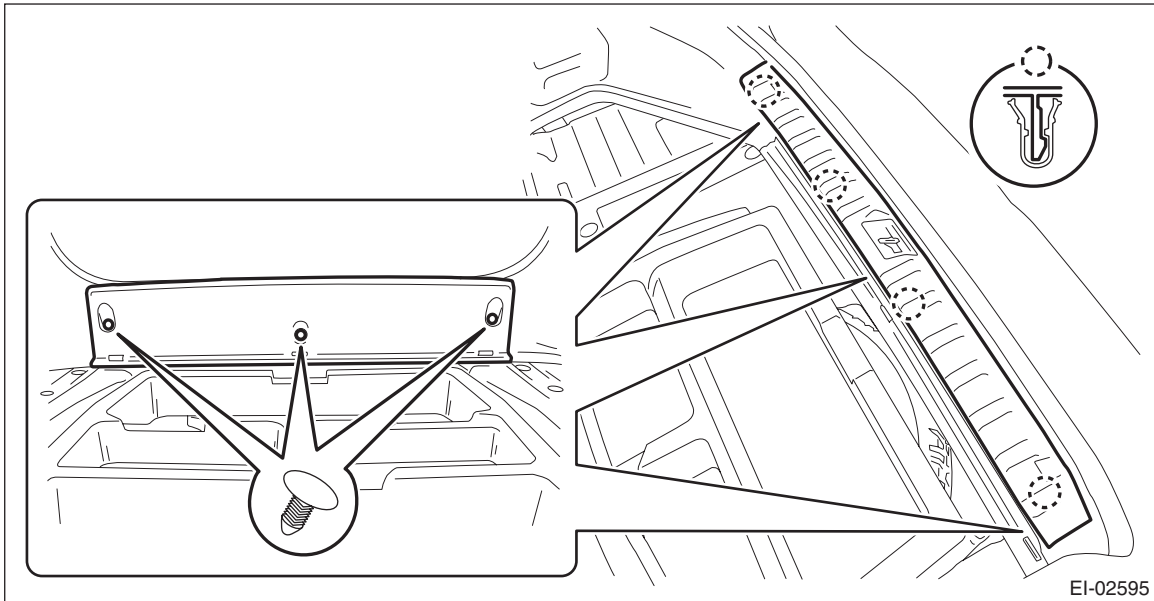
2. TRUNK ROOM TRIM

- 1) Pull the release lever in the trunk room, and then tilt the backrest forward.

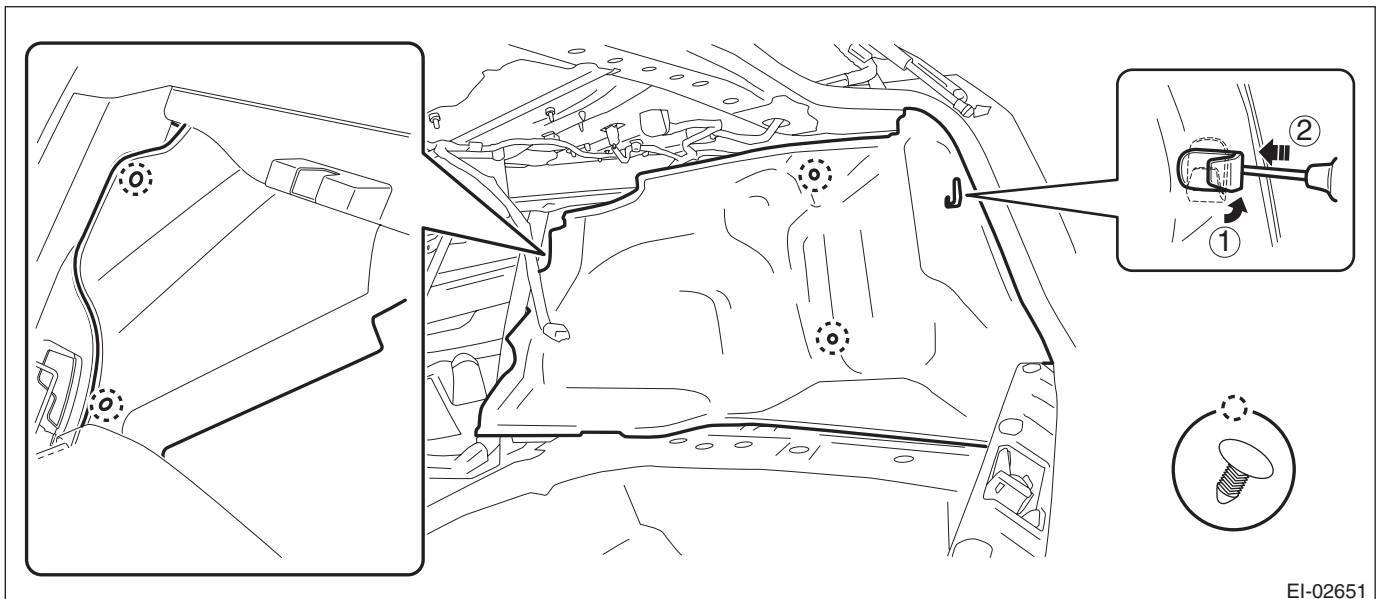


- 2) Remove the trunk room mat.

- 3) Remove the trunk trim assembly-rear.
 - (1) Remove the clip.
 - (2) Release the claws, and remove the trunk trim assembly-rear.



- 4) Remove the trunk trim panel assembly-side.
 - (1) Remove the hook.
 - a) Turn the hook to 90°.
 - b) Press the claw using a screwdriver to detach the hook.
 - (2) Release the clips and remove the trunk trim panel assembly-side.



B: INSTALLATION

Install each part in the reverse order of removal.