

Roof Trim

EXTERIOR/INTERIOR TRIM

26. Roof Trim

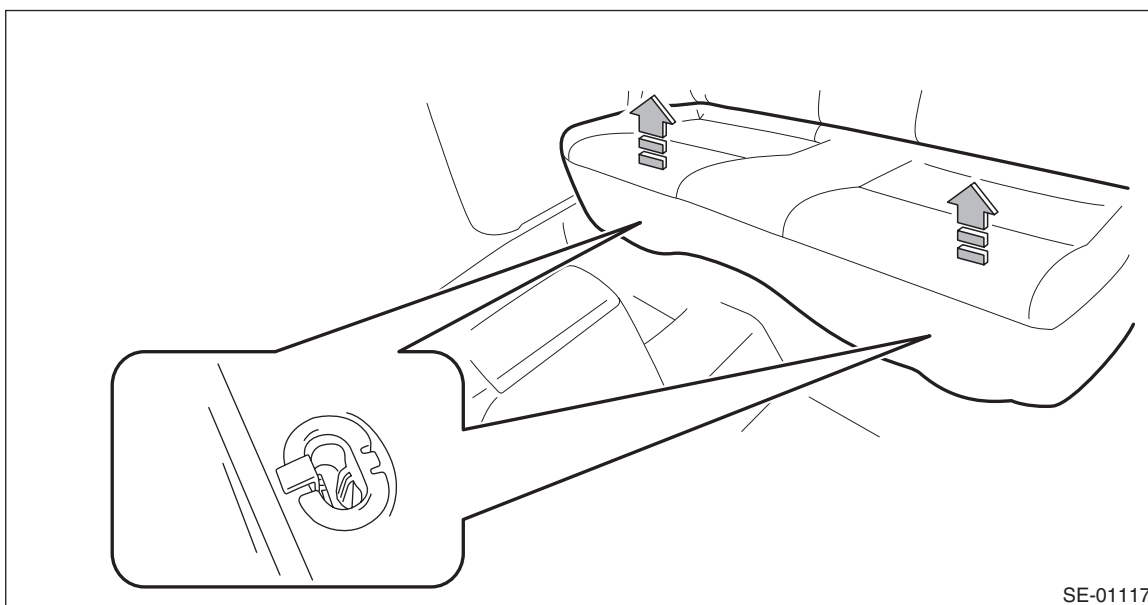
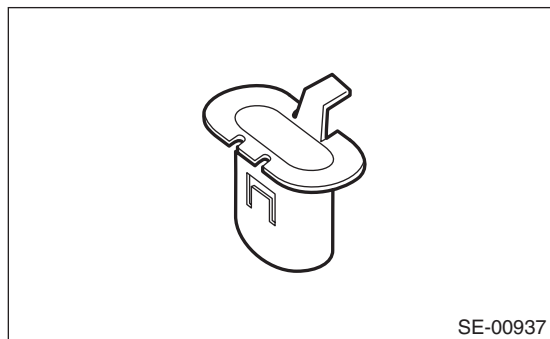
A: REMOVAL

1. SEDAN MODEL

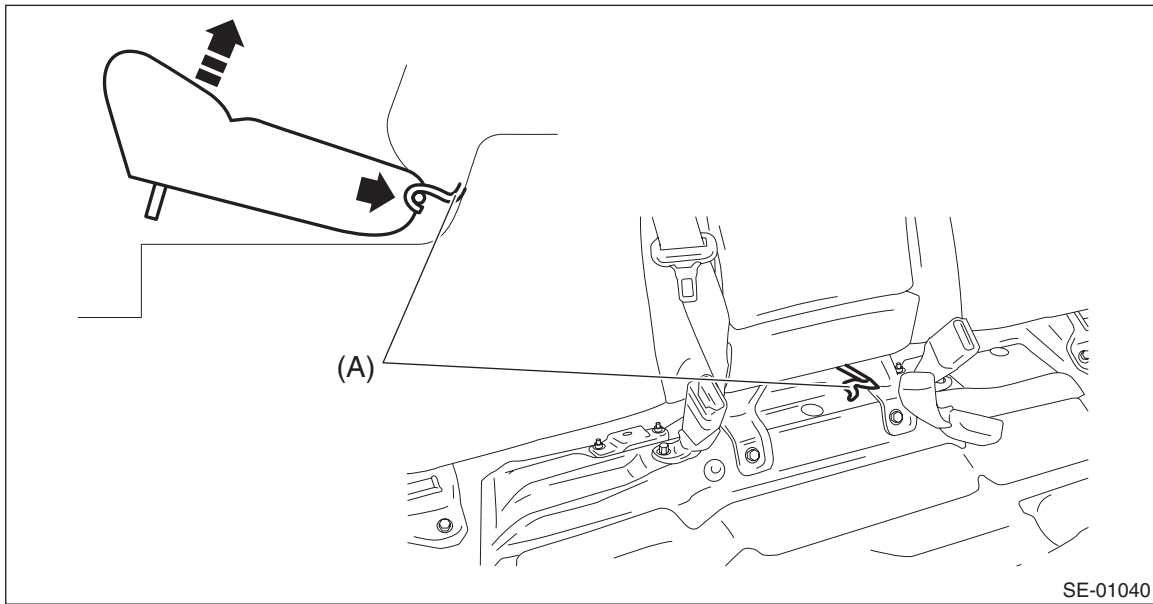
- 1) Remove the rear seat cushion assembly.
 - (1) Pull up the seat cushion and release the hook.

CAUTION:

If the hook is disconnected from the vehicle body, replace the hook with the new part to prevent the decline of the fixed force of the seat.



(2) Remove the hook (A) by pushing it back while lifting the front side of the seat cushion, and remove the seat cushion.

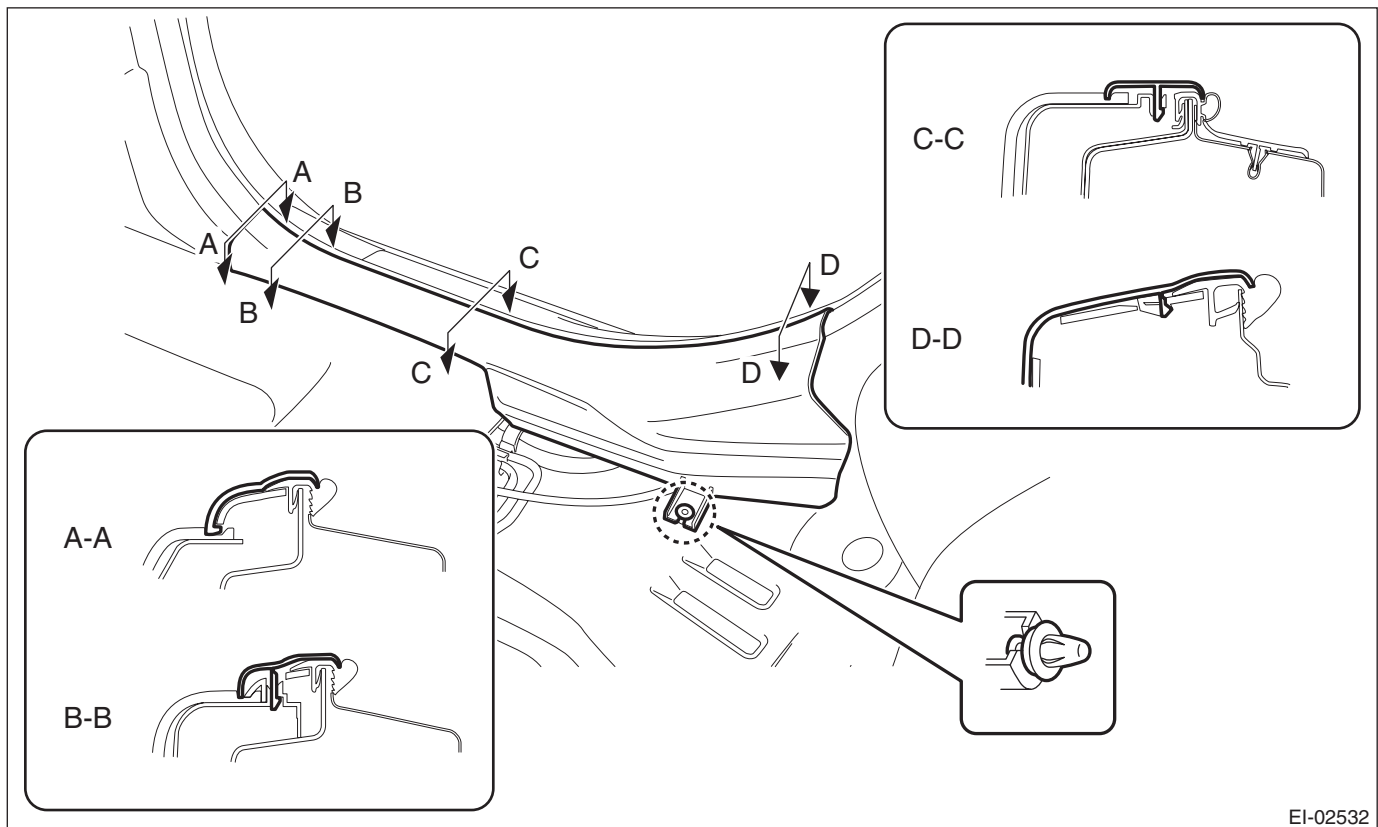


SE-01040

2) Release the clips and claws, and remove the side sill covers - rear INN on the left and right sides.

CAUTION:

Do not pull with excessive force. Doing so may damage the claws of the side sill cover INN.



EI-02532

NOTE:

To release the claws of the side sill cover INN, the following steps are recommended.

1. Take out the weather strip from under the side sill cover INN.
2. Turn over the floor mat and release the claw (C-C and D-D) by accessing from behind the side sill cover INN.

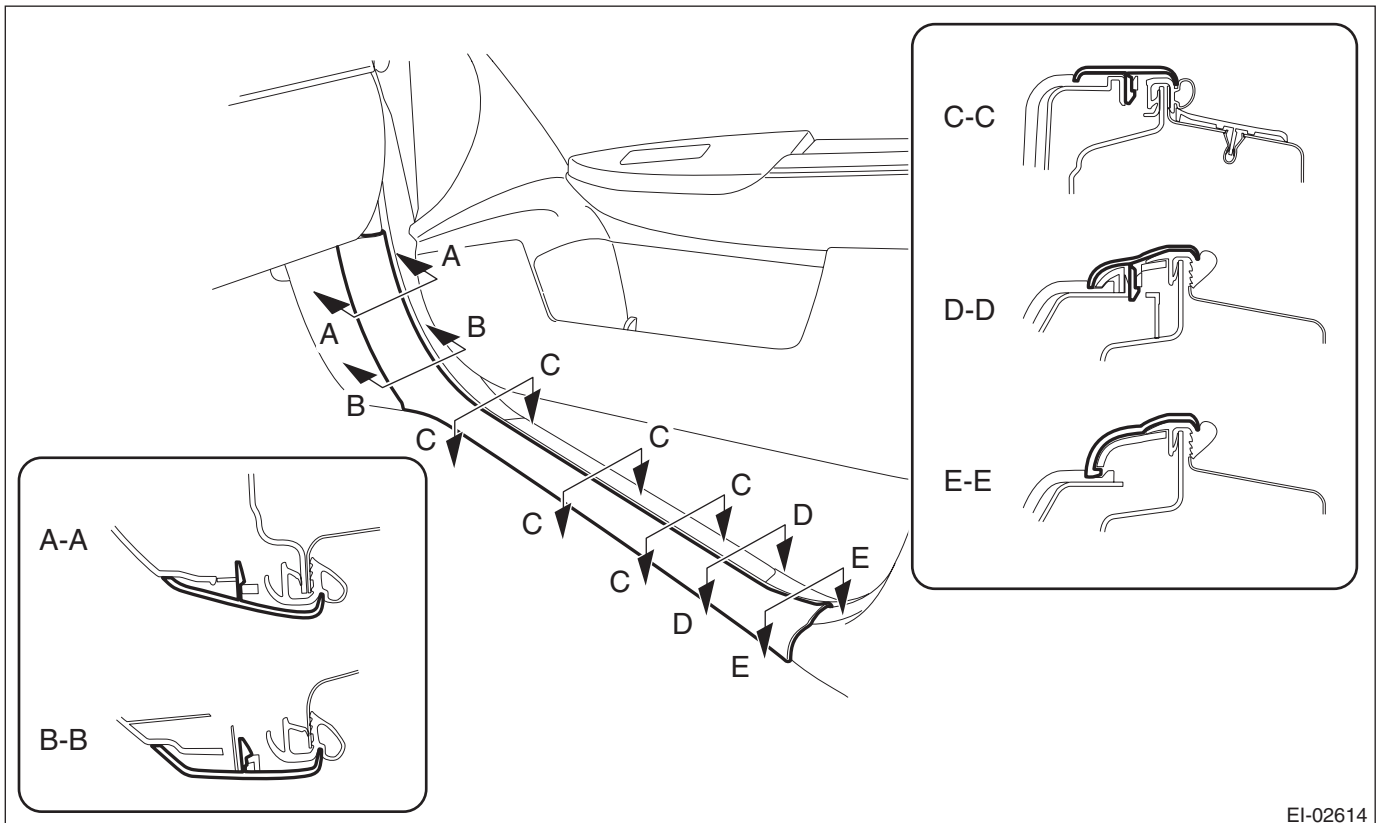
Roof Trim

EXTERIOR/INTERIOR TRIM

3) Release the claws, and then remove the side sill cover - front INN on the left and right sides.

CAUTION:

Do not pull with excessive force. Doing so may damage the claws of the side sill cover INN.



EI-02614

NOTE:

To release the claws of the side sill cover INN, the following steps are recommended.

1. Take out the weather strip from under the side sill cover INN.
2. Turn over the floor mat and release the claw (C-C) by accessing from behind the side sill cover INN.

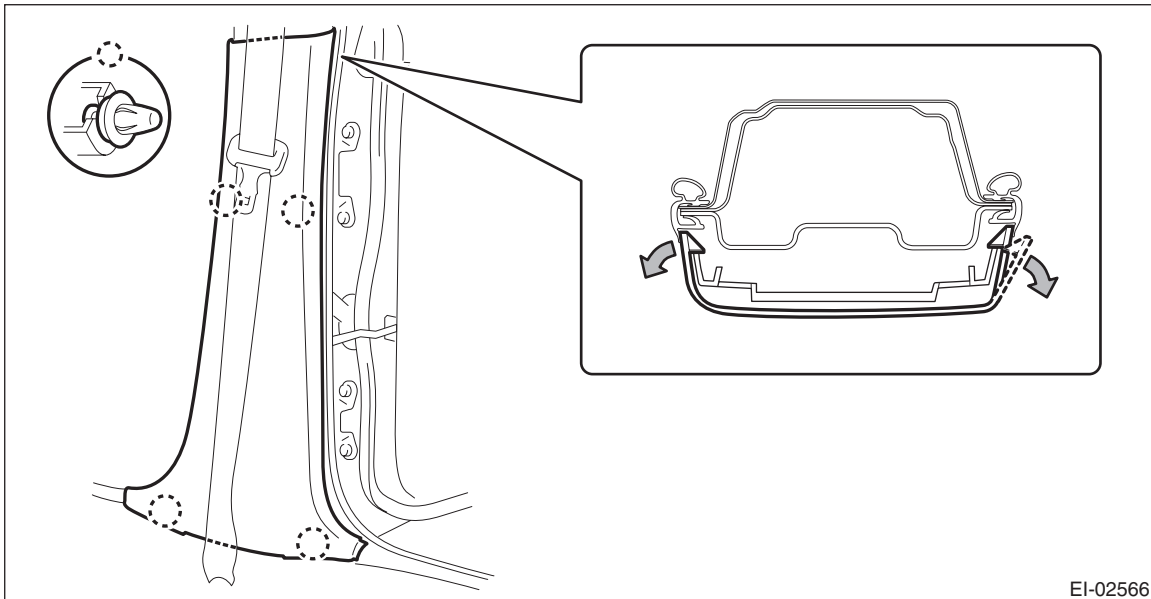
4) Remove the left and right center pillar trim LWR.

(1) Release the clip by pulling the center pillar trim LWR toward you.

(2) Expand the claws of center pillar trim LWR outward and remove it from the center pillar trim UPR.

CAUTION:

Do not expand the center pillar trim LWR excessively. Doing so may damage the trim.



EI-02566

NOTE:

First release the claw located to the rear of the vehicle.

5) Disconnect the ground cable from battery and wait for at least 60 seconds before starting work.

CAUTION:

The airbag system is fitted with a backup power supply. After disconnecting the battery ground cable, the airbag may operate if you do not wait for 60 seconds before starting the service of airbag system.

NOTE:

For the power seat, adjust the front seat position before removing the battery ground.

6) Adjust the front seat position.

(1) Remove the driver's seat and passenger's seat headrests.

NOTE:

For models with headrest monitor, remove the headrest in the following procedures.

1. Fold the backrest all the way backward, and then remove the headrest.

2. Place the headrest on the seating face.

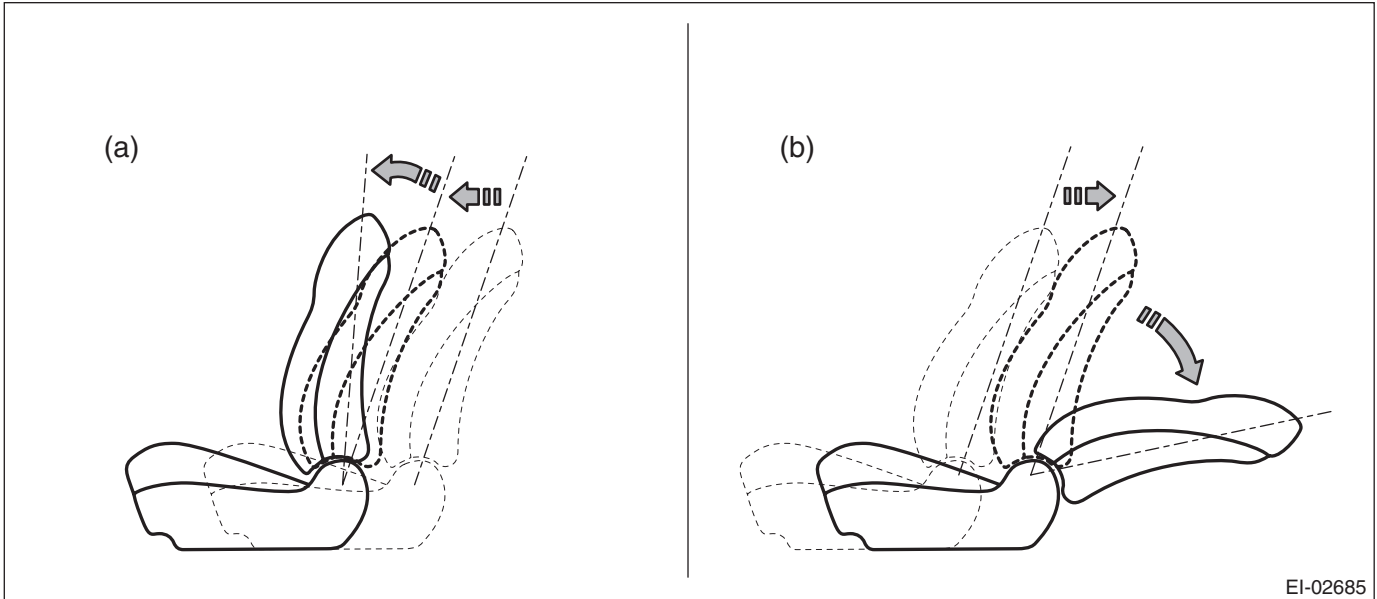
Roof Trim

EXTERIOR/INTERIOR TRIM

3. Return the backrest to the original position.

(2) Tilt the driver's seat backrest forward and move the seat to the front most position. (a)

(3) Tilt the passenger's seat backrest rearward and move the seat to the rearmost position. (b)



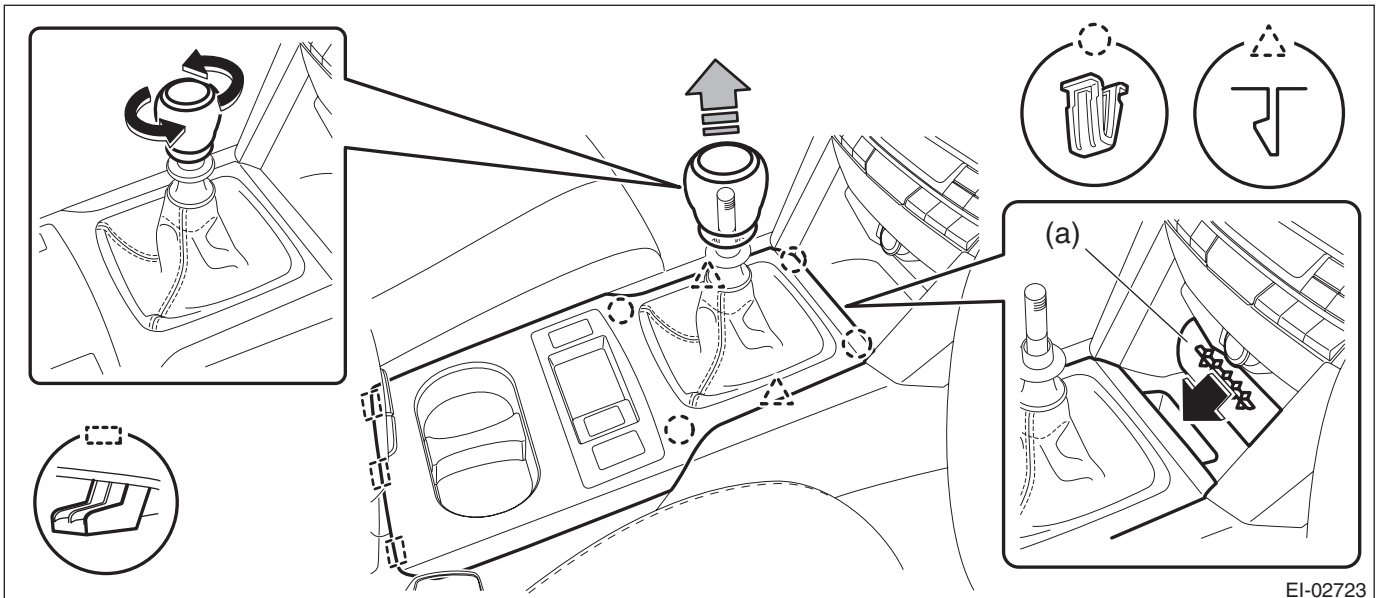
EI-02685

7) Cover the following areas to protect from damage.

- Steering wheel
- Instrument panel surface
- Glove box surface

8) Remove the console front cover assembly.

- MT model
 1. Remove the shift knob.
 2. Release the clips and claws, then pull up the console front cover assembly.



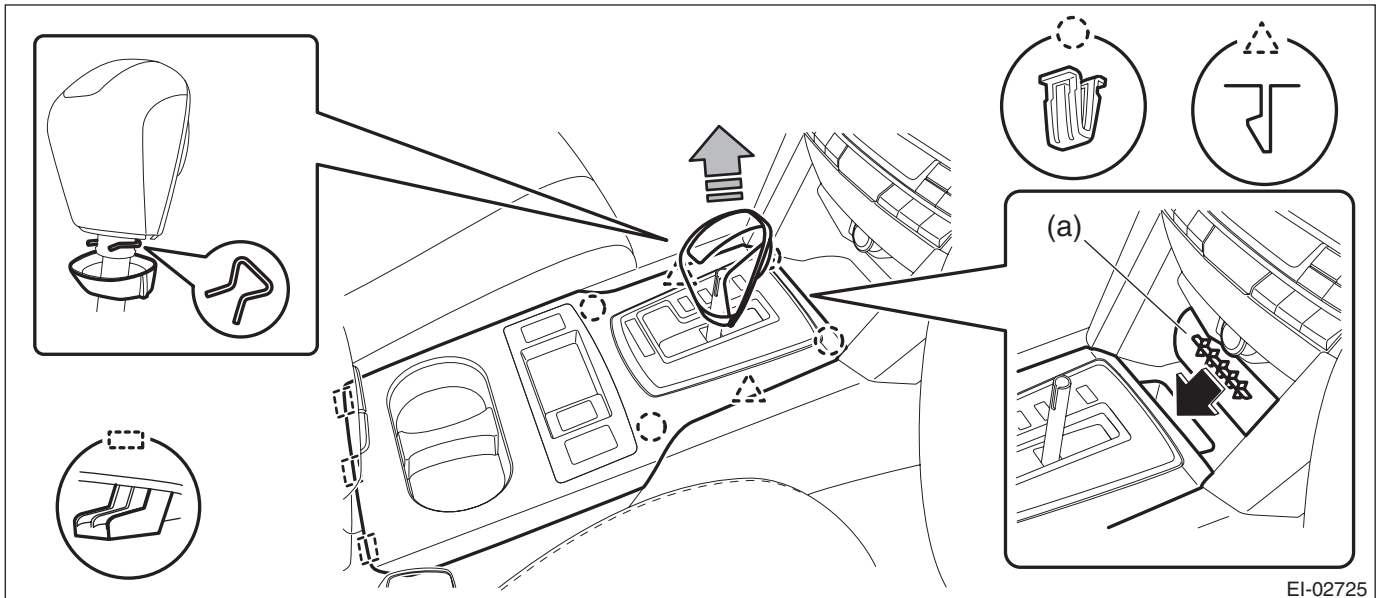
EI-02723

NOTE:

Turn over the front center pocket mat (a) and pull up the console front cover from the slit.

3. Disconnect the harness connector and remove the console front cover assembly.

- AT model / CVT model
 1. Remove the select lever knob.
 - a. Lower the cover grip AT.
 - b. Remove the clamp grip pin, then remove the select lever knob.
 2. Release the clips and claws, then pull up the console front cover assembly.

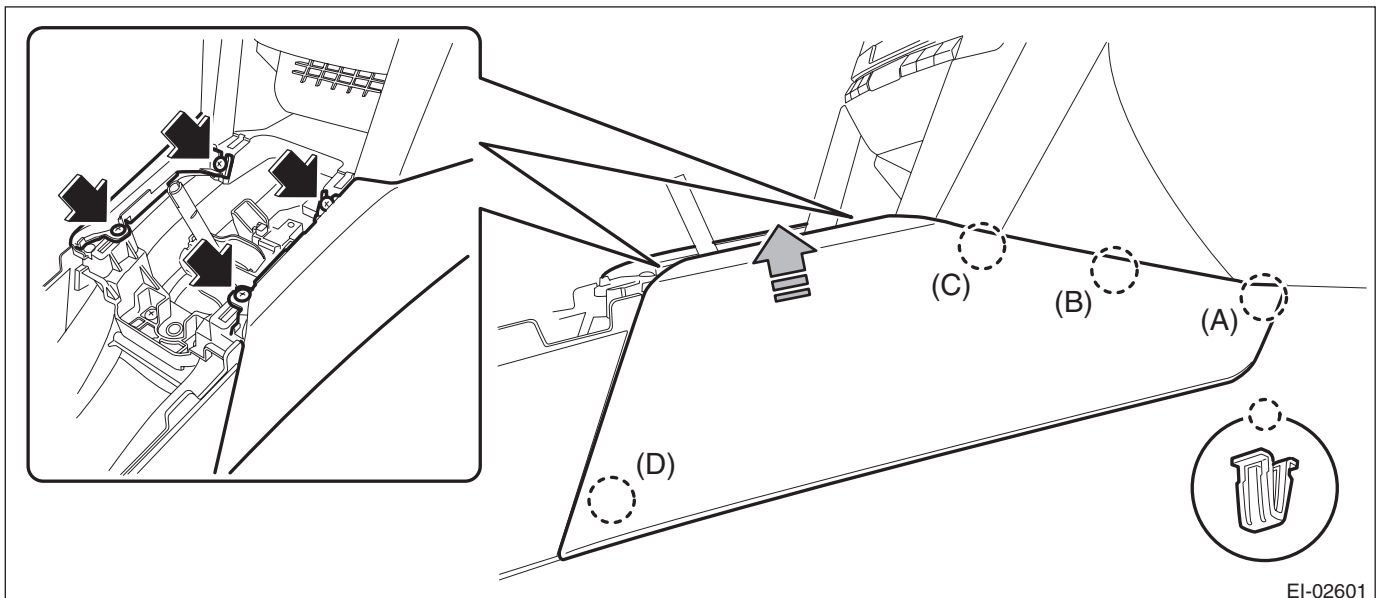


EI-02725

NOTE:

Turn over the front center pocket mat (a) and pull up the console front cover from the slit.

3. Disconnect the harness connector and remove the console front cover assembly.
- 9) Remove the left and right console front side cover assembly.
 - (1) Remove the screws and release the clips (A) to (D) in order.
 - (2) Remove the console front side cover assembly by pulling it up.



EI-02601

Roof Trim

EXTERIOR/INTERIOR TRIM

10) Remove the console box assembly.

(1) Move the seat, and remove the bolts after detaching the left and right caps.

NOTE:

For a model with power seat, connect the battery ground cable and move the seat. Then, disconnect the battery ground cable again and wait for 60 seconds at least before restarting the work.

(2) Remove the screws, disconnect the harness connector and remove the console box assembly.



11) Remove the left and right rear quarter trim LWR.

(1) Remove the backrest side pad.

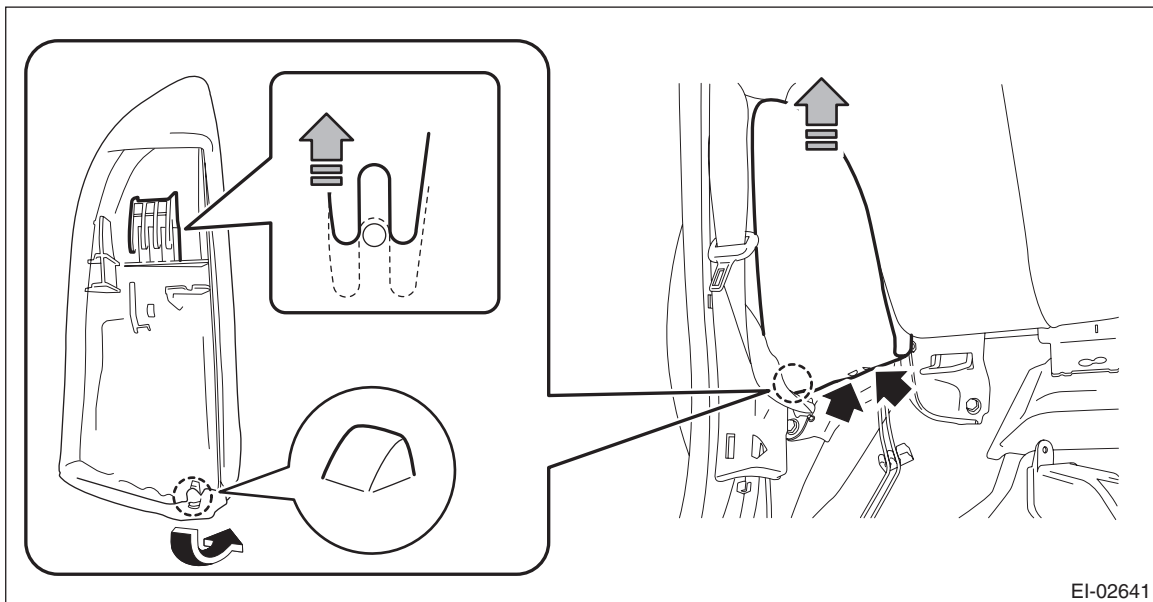
a) Remove the screws.

Preparation tool:

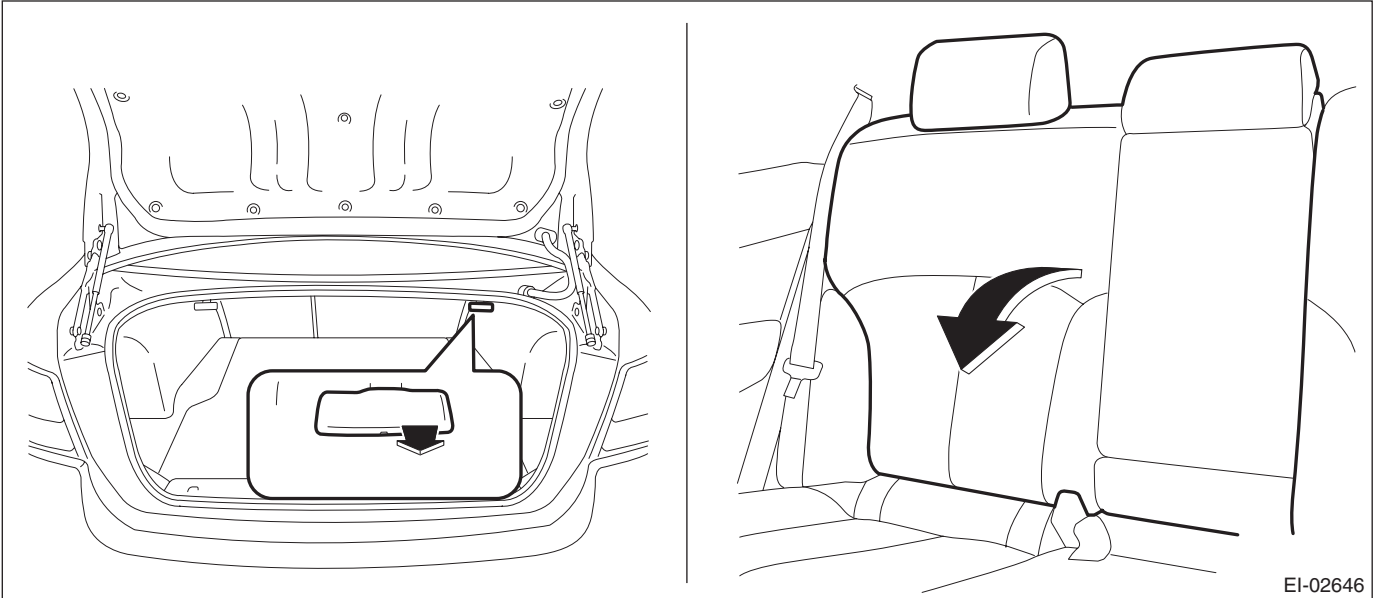
Stubby screwdriver

b) Turn over the bottom end of the backrest side pad in the forward direction so that the claws are released.

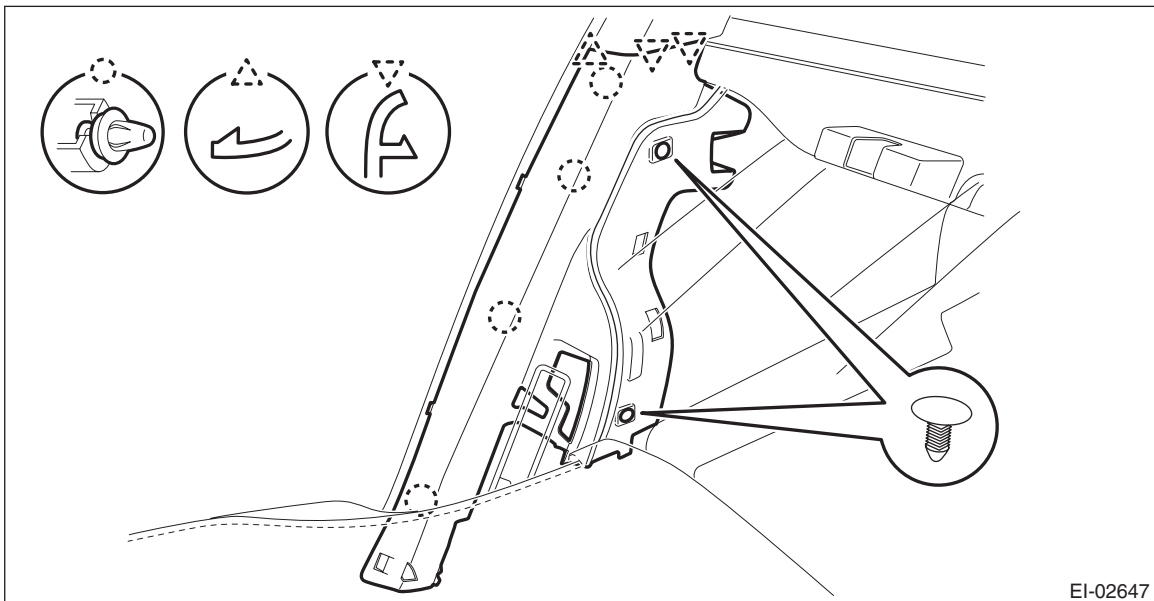
c) Remove the backrest side pad by pulling it up.



(2) Pull the release lever in the trunk room, and then tilt the backrest forward.



- (3) Release the clips of the trunk trim panel assembly - side.
- (4) Remove the clips, and remove the rear quarter trim LWR.

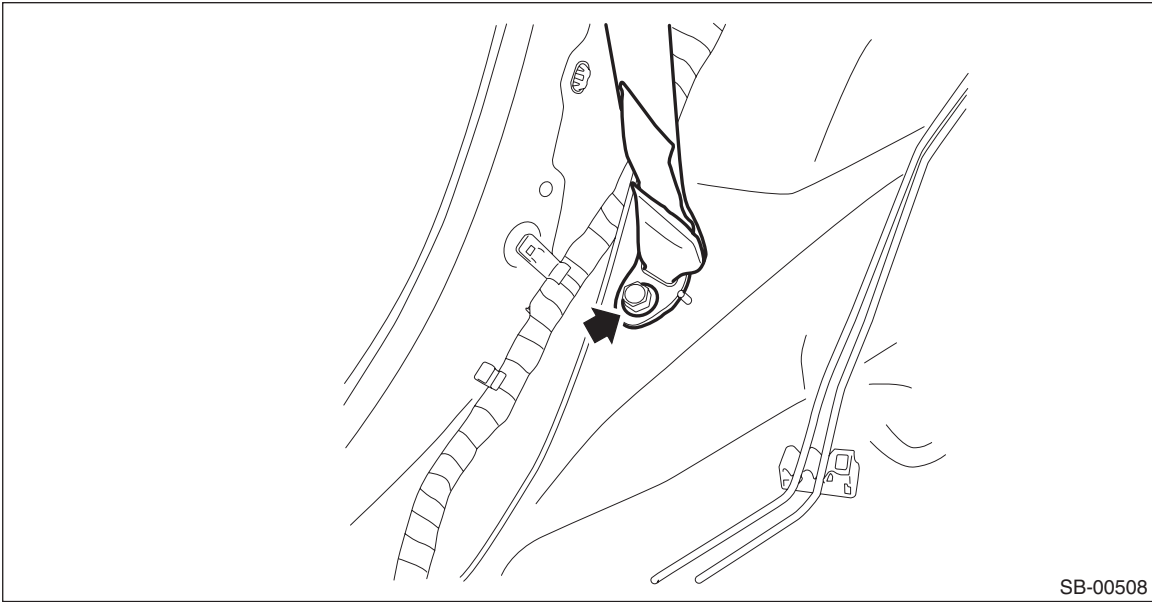


Roof Trim

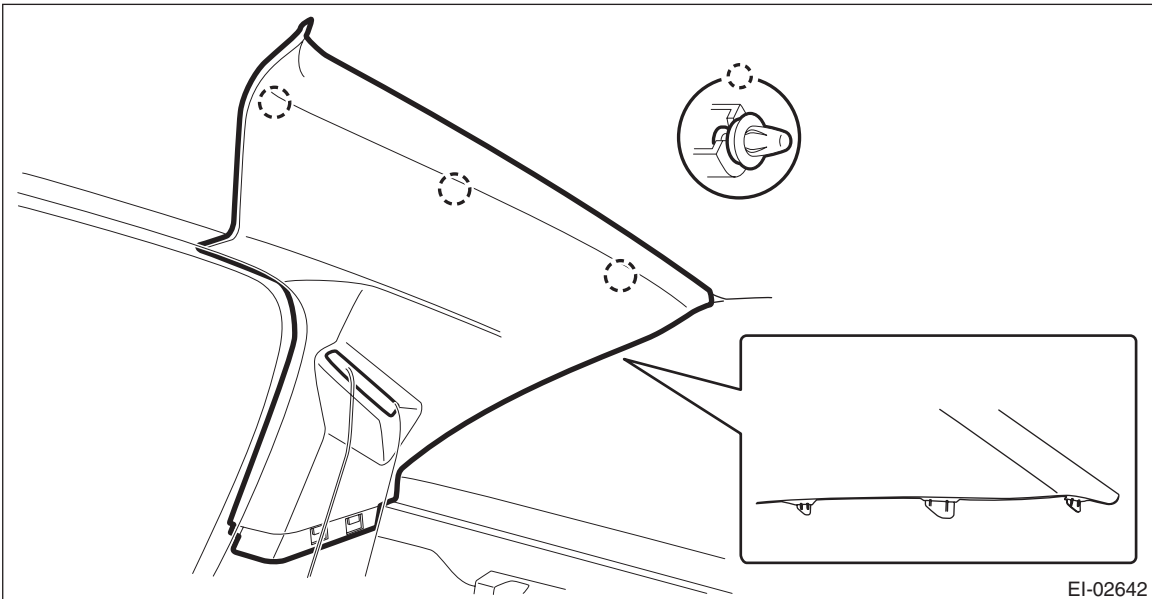
EXTERIOR/INTERIOR TRIM

12) Remove the left and right rear quarter trim UPR.

(1) Remove the lower anchor bolt of the outer belt assembly.



(2) Release the clips, and remove the rear quarter trim UPR.



(3) Pull out the seat belt and remove the rear quarter trim UPR.

13) Remove the left and right front pillar trims.

(1) Pull the upper part of the front pillar trim towards the center of the vehicle.

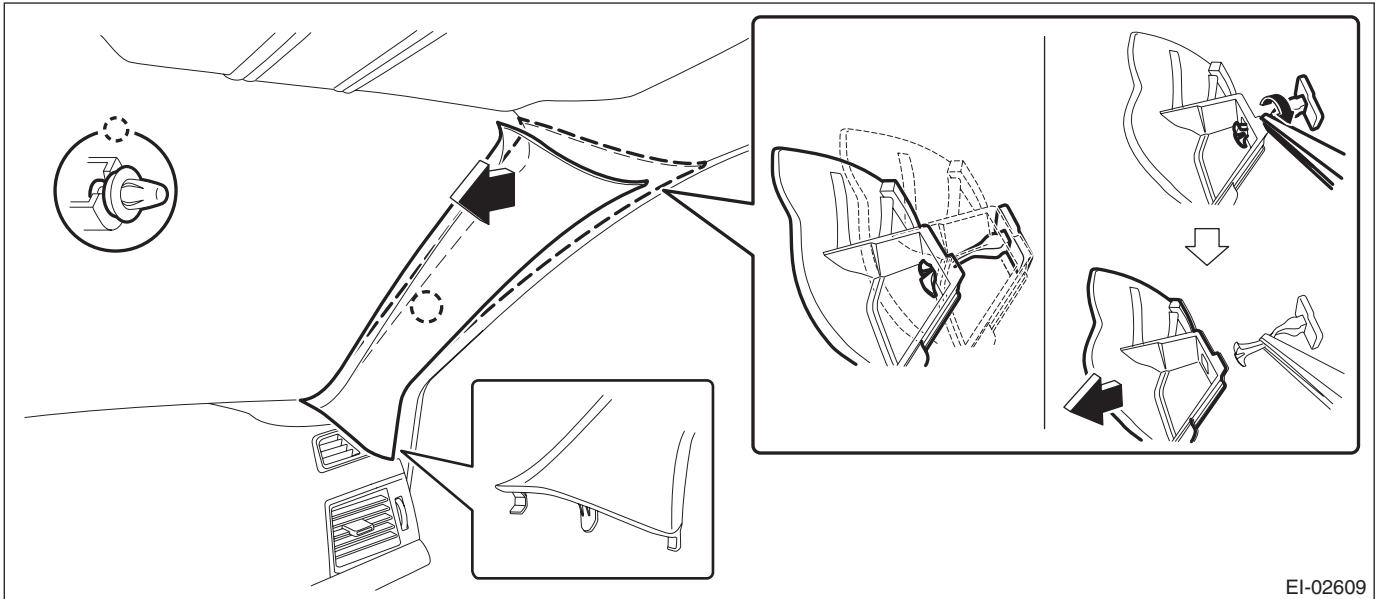
(2) Insert long-nose pliers into the top part of the trim, grip the tether clip with the pliers and twist 90° in that position.

CAUTION:

Be careful not to damage the pillar trim surface and curtain airbag module when inserting the pliers.

(3) While holding the tether clip twisted as in the previous step, remove the front pillar trim from the tether clip.

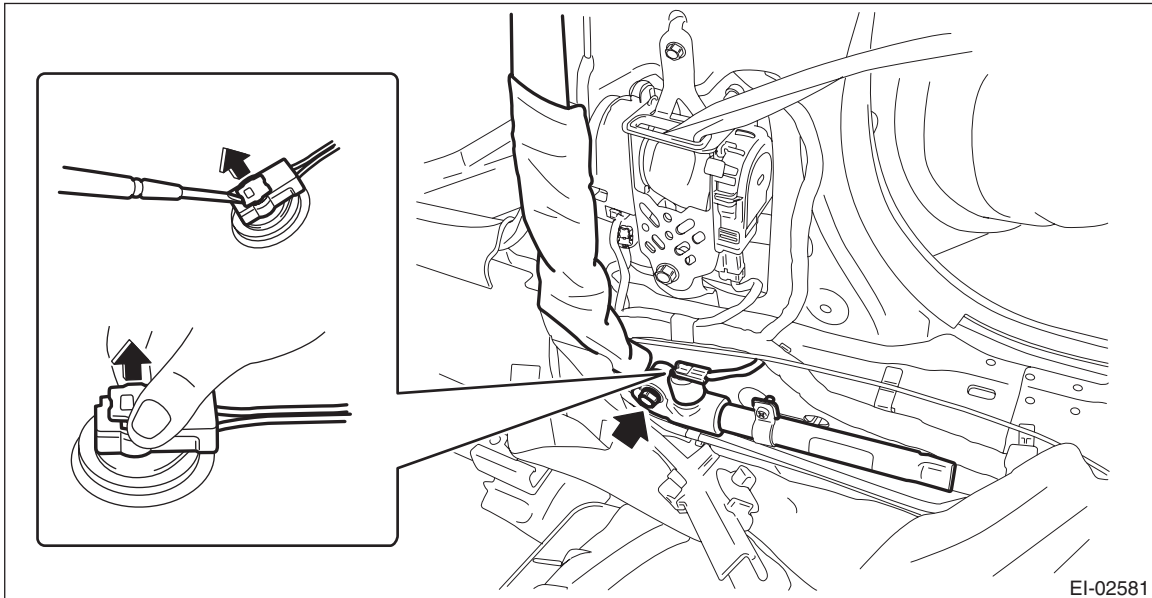
(4) Remove the clip and the front pillar trim.



EI-02609

14) Remove the center pillar trim UPR.

(1) Also disconnect the connector of lap seat belt pretensioner, and remove the seat belt lower anchor bolt.



EI-02581

NOTE:

On passenger's side, disconnect the connector of the seat belt tension sensor.

(2) Release the clip by pulling the lower part of the trim toward you.

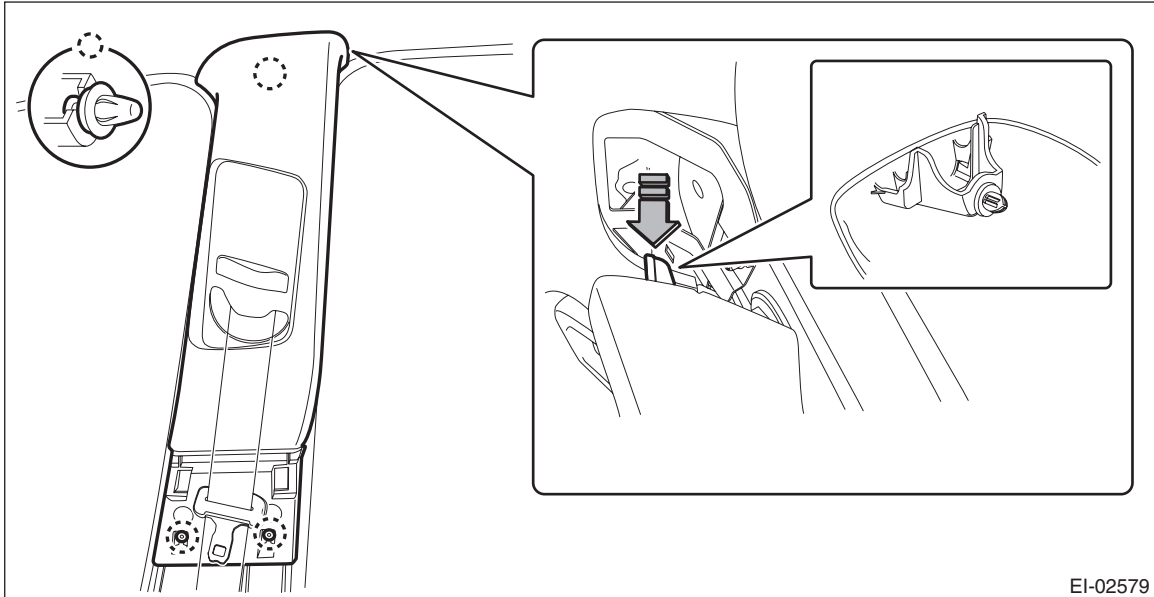
Roof Trim

EXTERIOR/INTERIOR TRIM

(3) Remove the clip by pulling the upper part of the trim toward you, and while lowering the entire trim, remove the center pillar trim UPR.

CAUTION:

Do not reuse the upper clips of the center pillar trim UPR. Once the clip is removed, its holding force is reduced. Be sure to replace it with a new clip.



(4) Pull out the seat belt and remove the center pillar trim UPR.

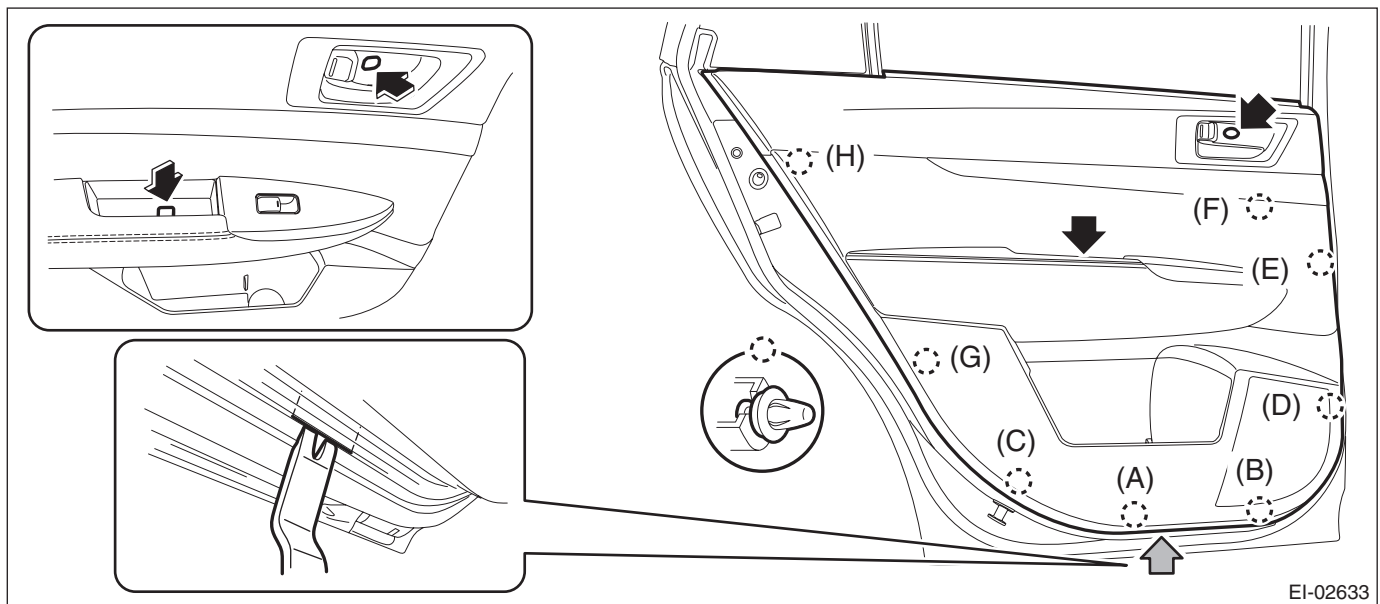
15) Remove the rear door trim assembly on driver's side.

(1) Open the cover and remove the screw.

(2) Remove the clips in the order of (A) to (H) and remove the door trim from the door panel.

CAUTION:

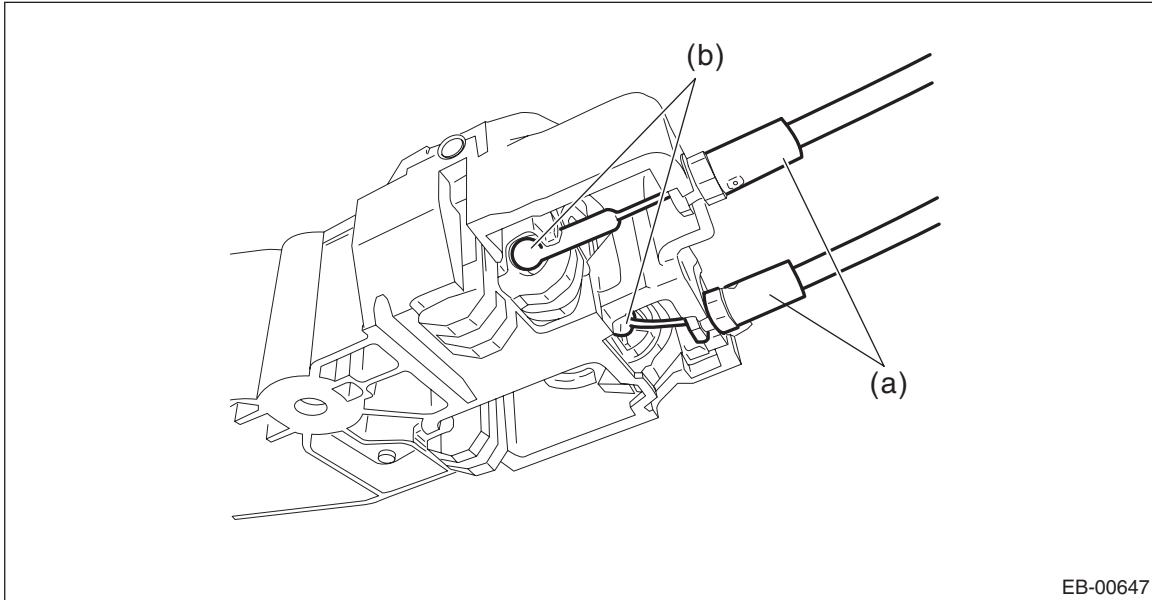
When removing the door trim, be sure to remove the clips in the correct order. Forcibly removing clips may damage the door panel assembly.



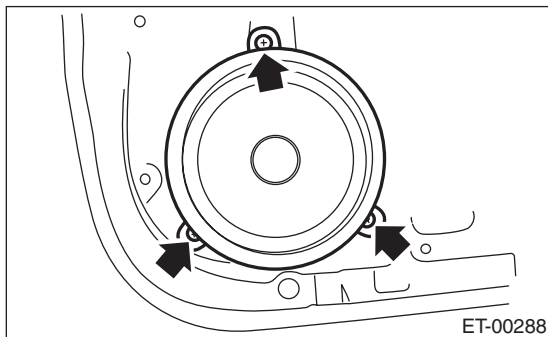
NOTE:

Insert a plastic clip remover into the slit at the bottom of the door trim, to lift the door trim.

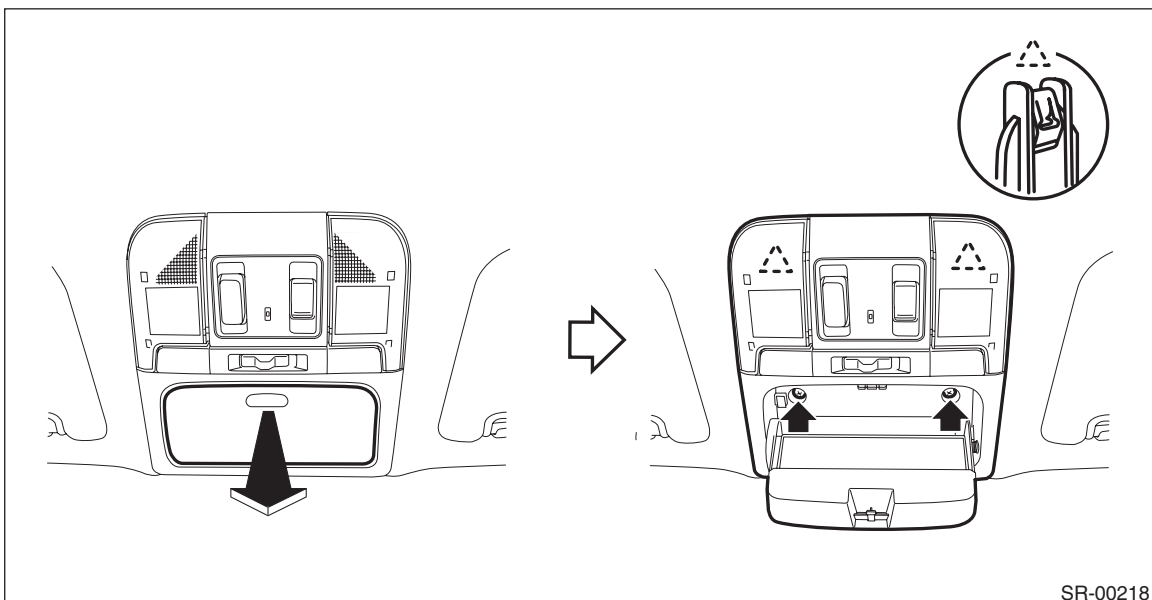
- (3) Remove the cables (a) and (b) from the cable holder of inner remote.



- (4) Disconnect the harness connector and remove the door trim.
 16) Remove the rear speaker assembly on driver's side.
 (1) Remove the screws.
 (2) Disconnect the harness connector and remove the rear door speaker.



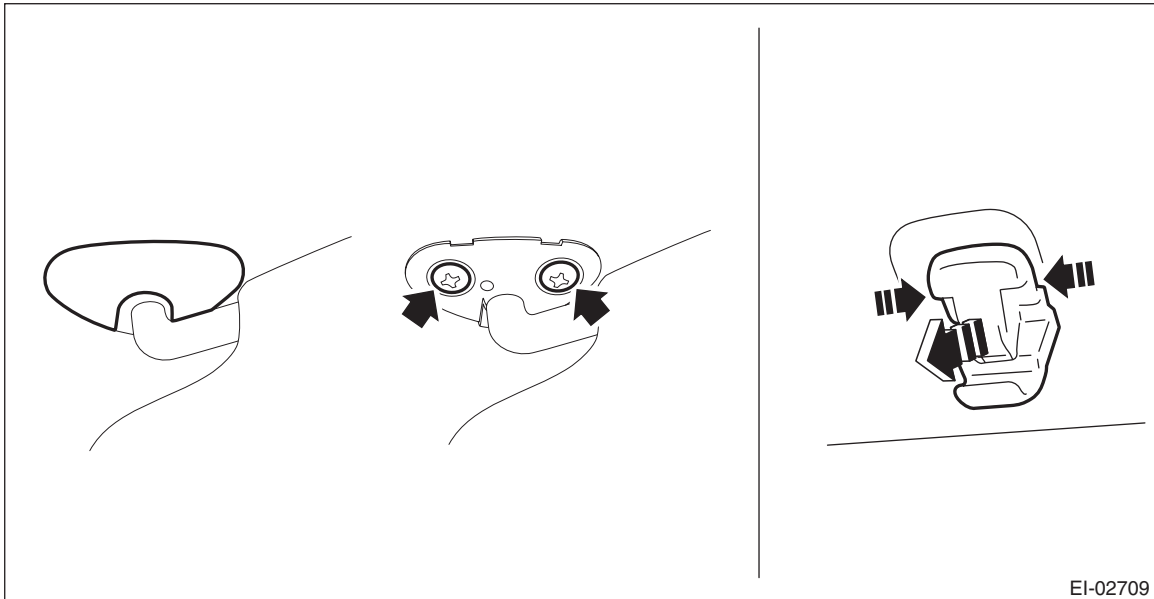
- 17) Remove the overhead console assembly. (Models without EyeSight)
 (1) Push and open the rear end of the overhead console lid, and remove the screws.
 (2) Disconnect the connector and remove the overhead console assembly.



Roof Trim

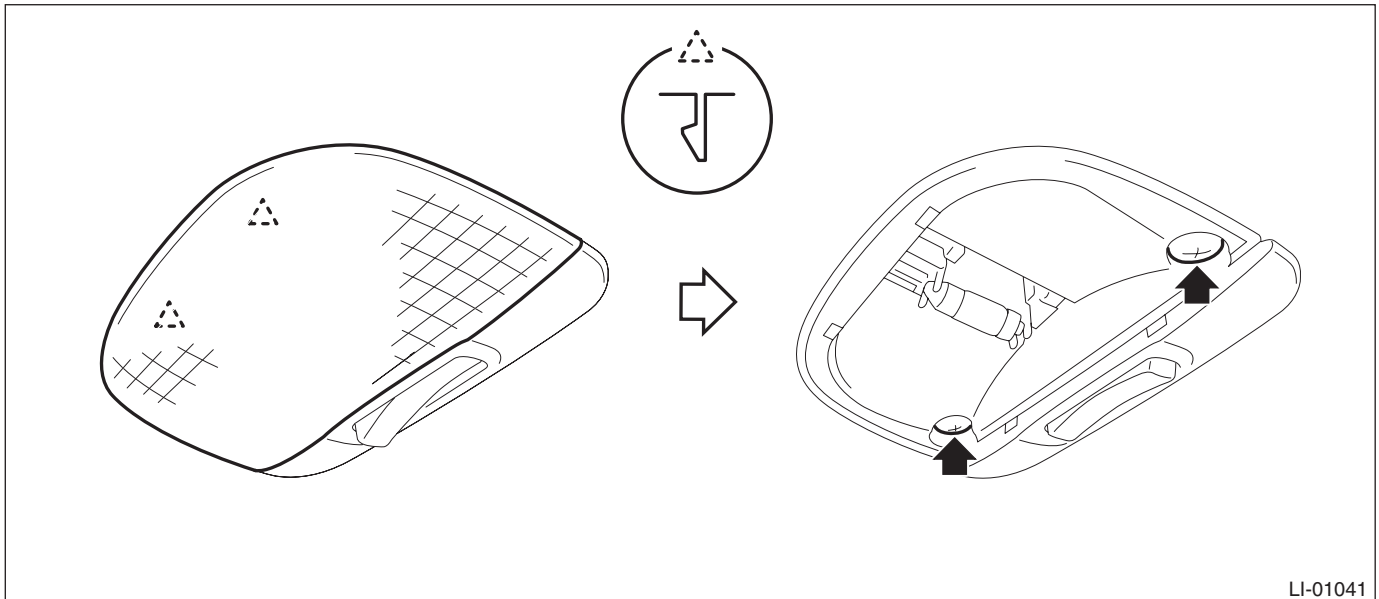
EXTERIOR/INTERIOR TRIM

- 18) Remove the stereo camera cover. (Models with EyeSight)<Ref. to ES-8, REMOVAL, Stereo Camera.>
- 19) Remove the left and right sun visor assembly.
 - (1) Remove the cover, loosen the screws, and remove the sun visor assembly.
 - (2) Press the both sides of the sun visor hook using a flat tip screwdriver.
 - (3) Remove the sun visor hook by pulling toward you.



EI-02709

- 20) Remove the room light assembly.
 - (1) Release the claws and remove the cover.
 - (2) Remove the two screws.



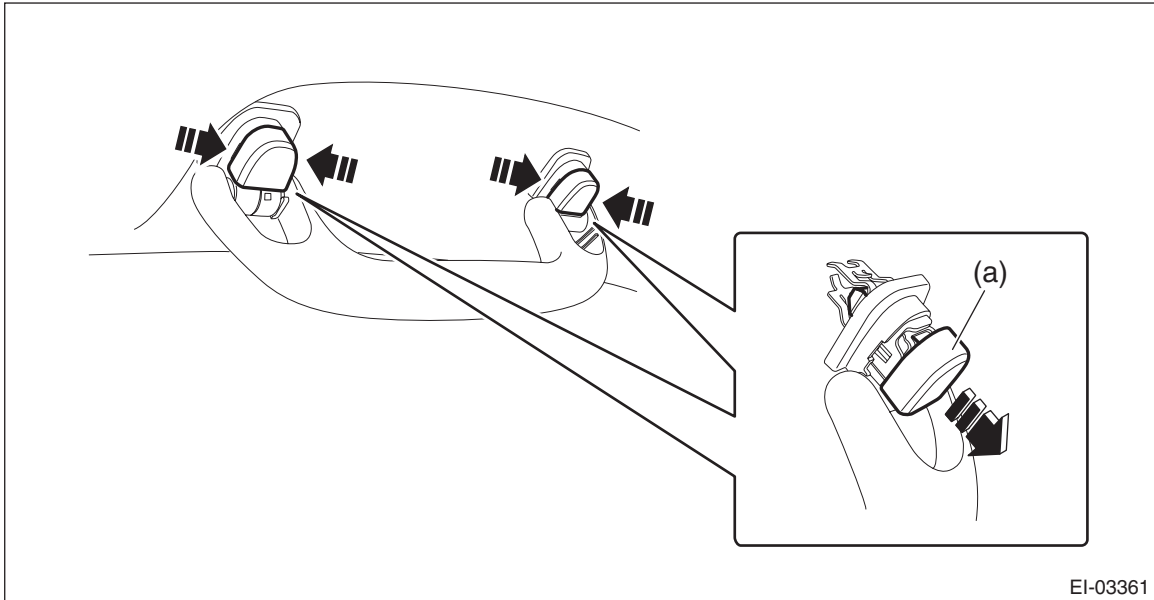
LI-01041

- (3) Disconnect the connector and remove the room light assembly.

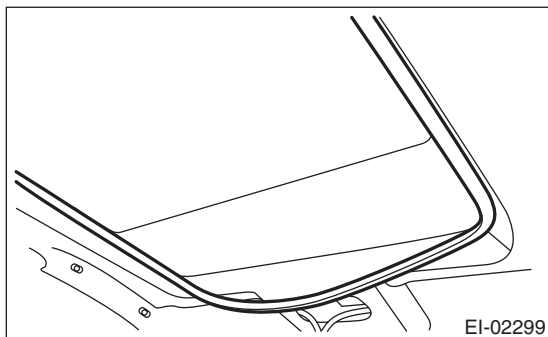
21) Remove all assist grip assembly.

(1) Remove the cap (a) by pulling the both sides of the cap (a) using a flat tip screwdriver wrapped with a protection tape.

(2) Pull the assist grip toward you (to the vehicle center) and remove the metal clip from the bracket.



22) Remove the sun roof garnish. (Model with sunroof)

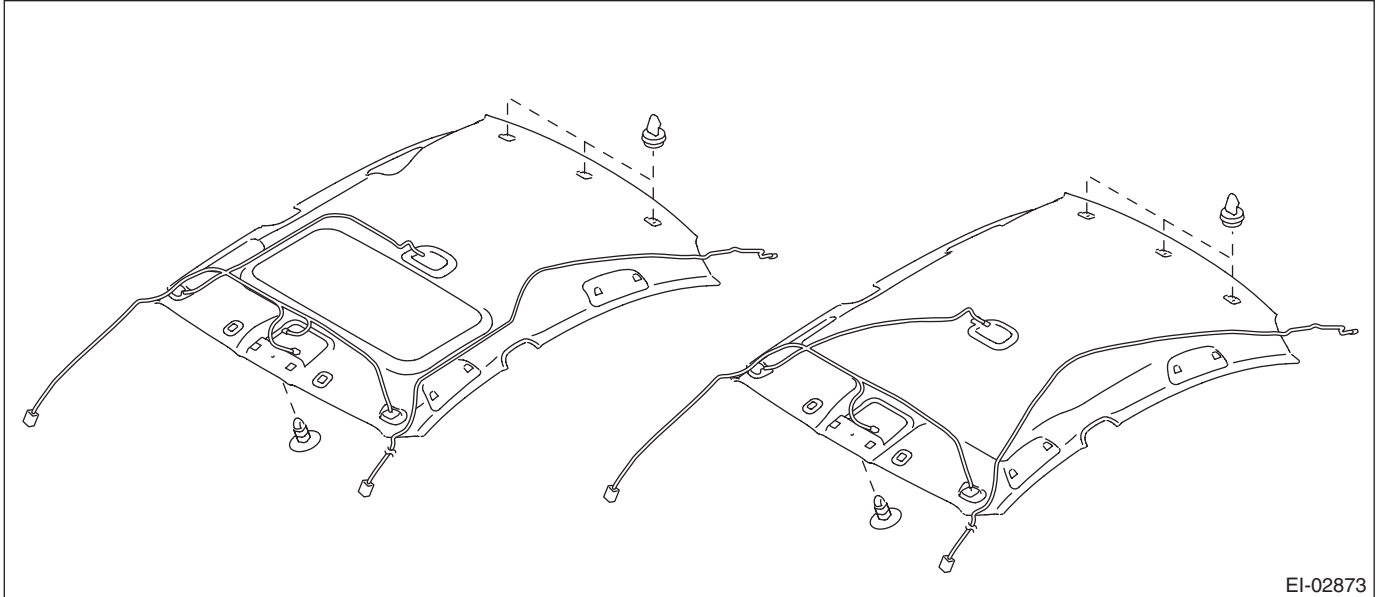


23) Disconnect the roof harness connector at the front pillar RH.

Roof Trim

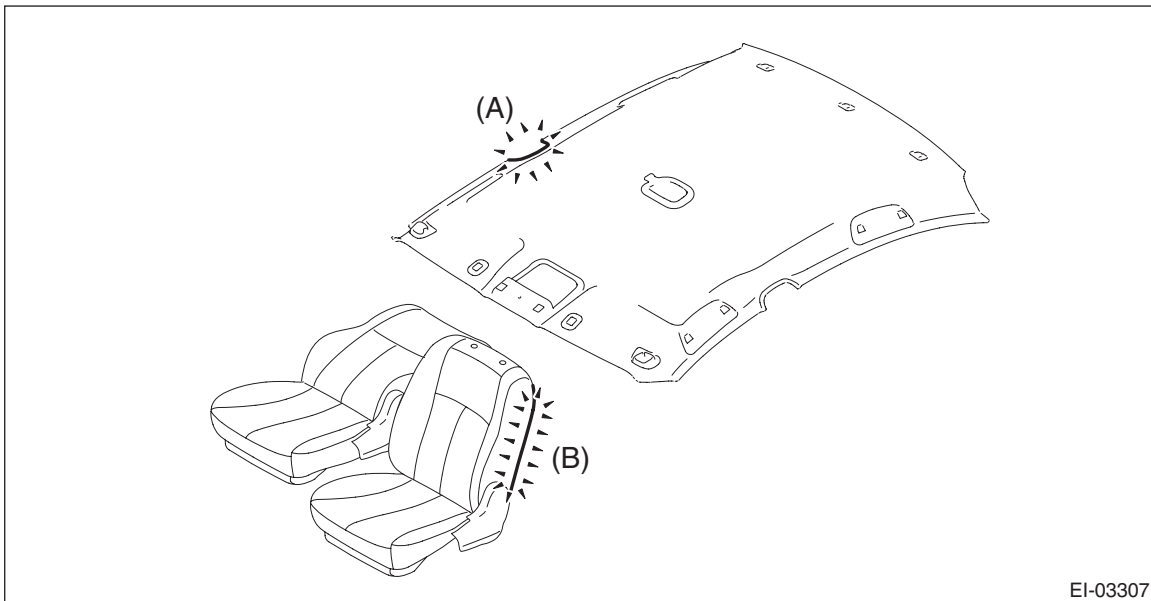
EXTERIOR/INTERIOR TRIM

- 24) Remove the roof trim assembly.
- (1) Remove the clips, and then remove the roof trim.
 - (2) Remove the feeder cord and roof cord from the roof trim.



EI-02873

- (3) Take out the roof trim assembly from inside the vehicle.
- a) Align the center pillar (A) of roof trim with a corner (B) of the driver's seat and turn the roof trim obliquely.



EI-03307

- b) While holding the roof trim assembly in the condition in step a), take it out from the driver's side rear door opening.

2. OUTBACK MODEL

- 1) Disconnect the ground cable from battery and wait for at least 60 seconds before starting work.

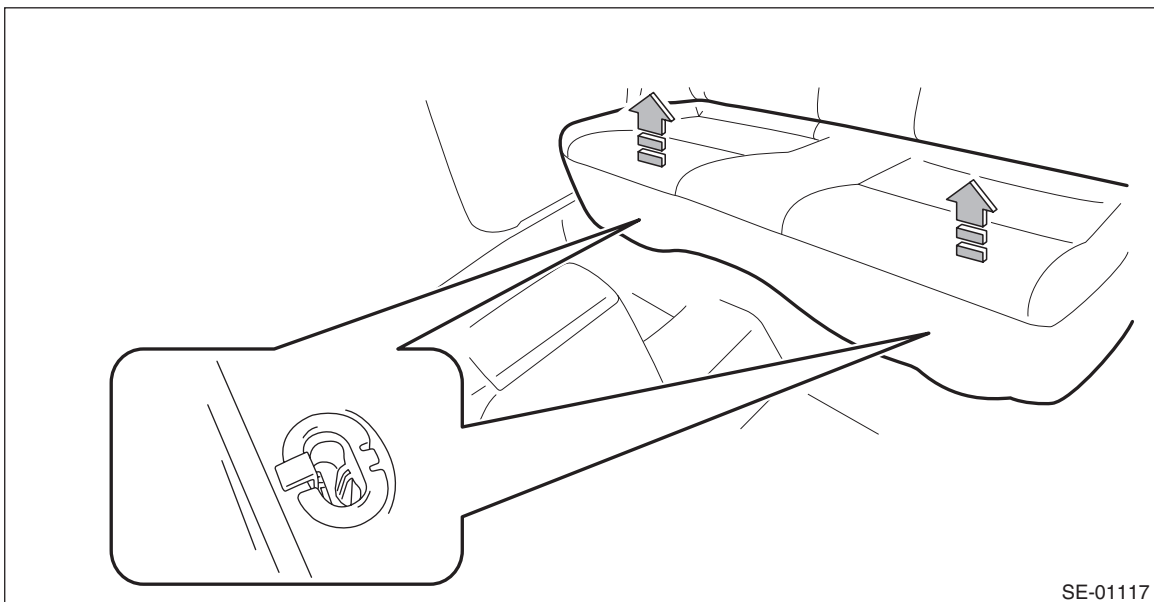
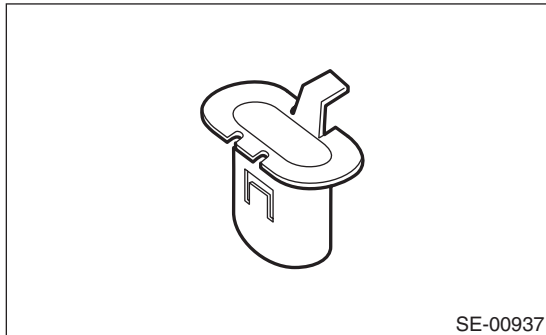
CAUTION:

The airbag system is fitted with a backup power supply. After disconnecting the battery ground cable, the airbag may operate if you do not wait for 60 seconds before starting the service of airbag system.

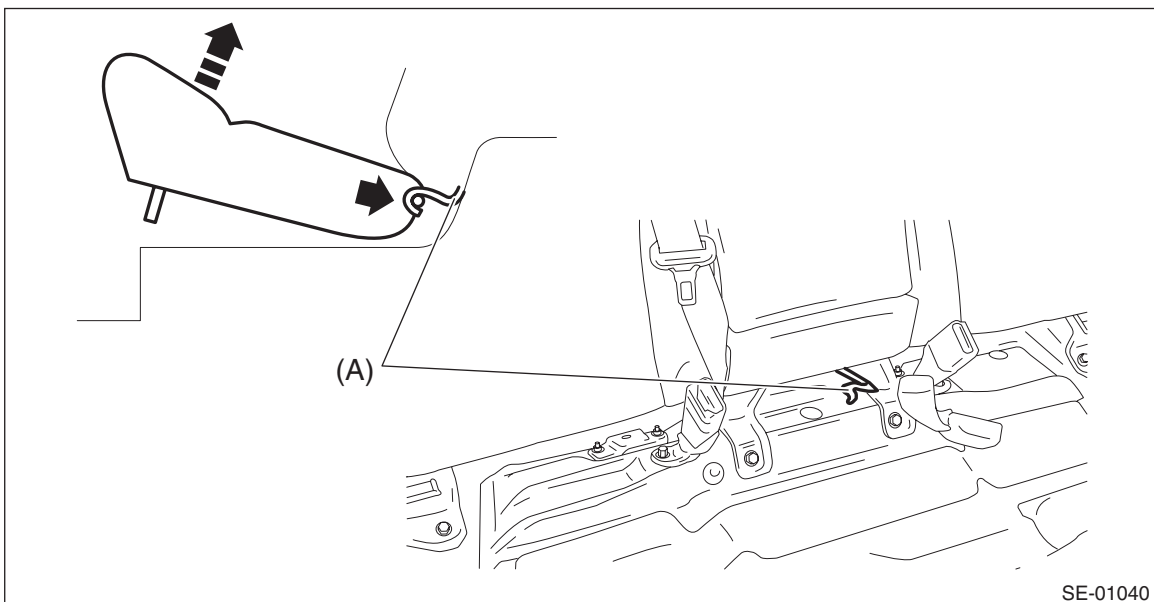
- 2) Remove the rear seat cushion assembly.
 - (1) Pull up the seat cushion and release the hook.

CAUTION:

If the hook is disconnected from the vehicle body, replace the hook with the new part to prevent the decline of the fixed force of the seat.



- (2) Remove the hook (A) by pushing it back while lifting the front side of the seat cushion, and remove the seat cushion.



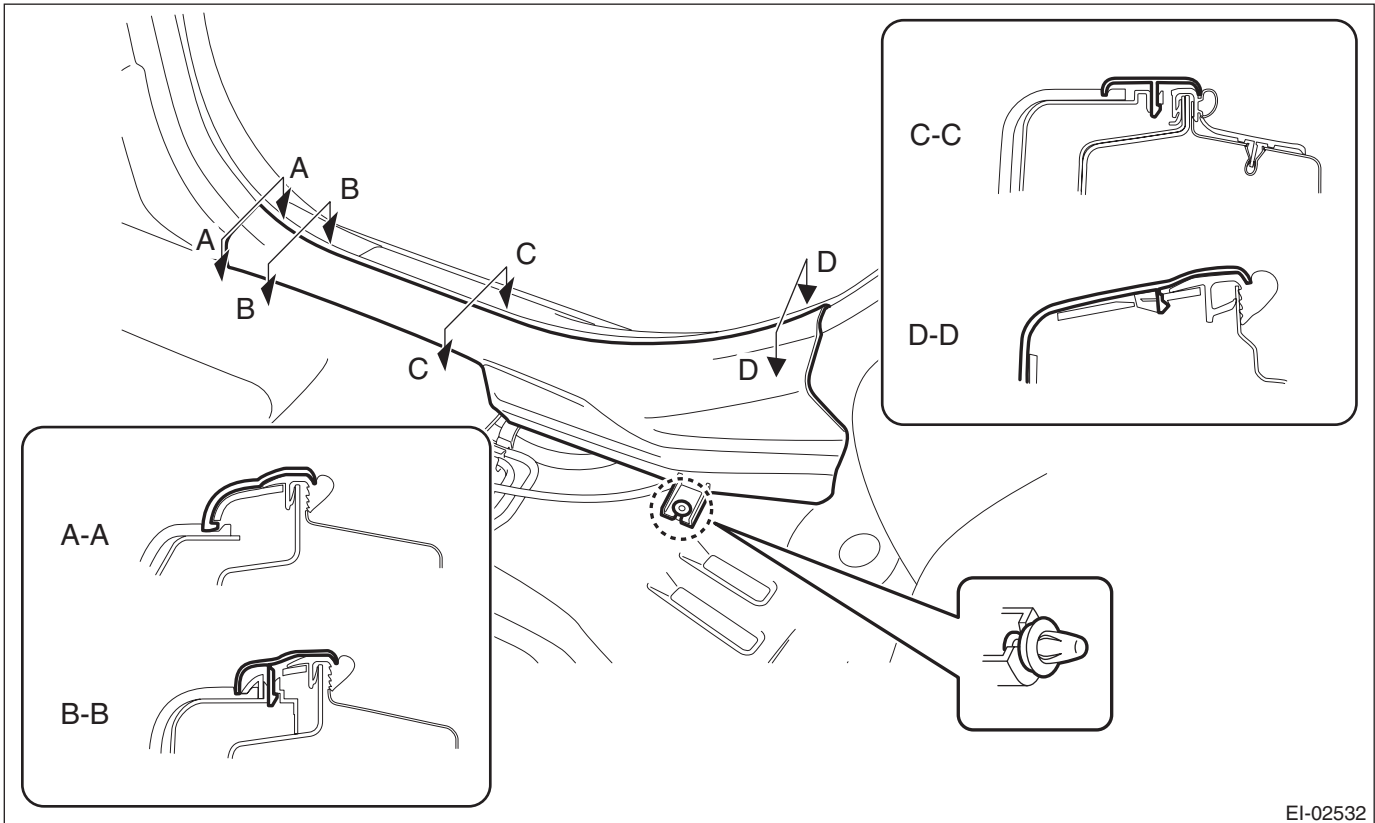
Roof Trim

EXTERIOR/INTERIOR TRIM

3) Release the clips and claws, and remove the side sill covers - rear INN on the left and right sides.

CAUTION:

Do not pull with excessive force. Doing so may damage the claws of the side sill cover INN.



EI-02532

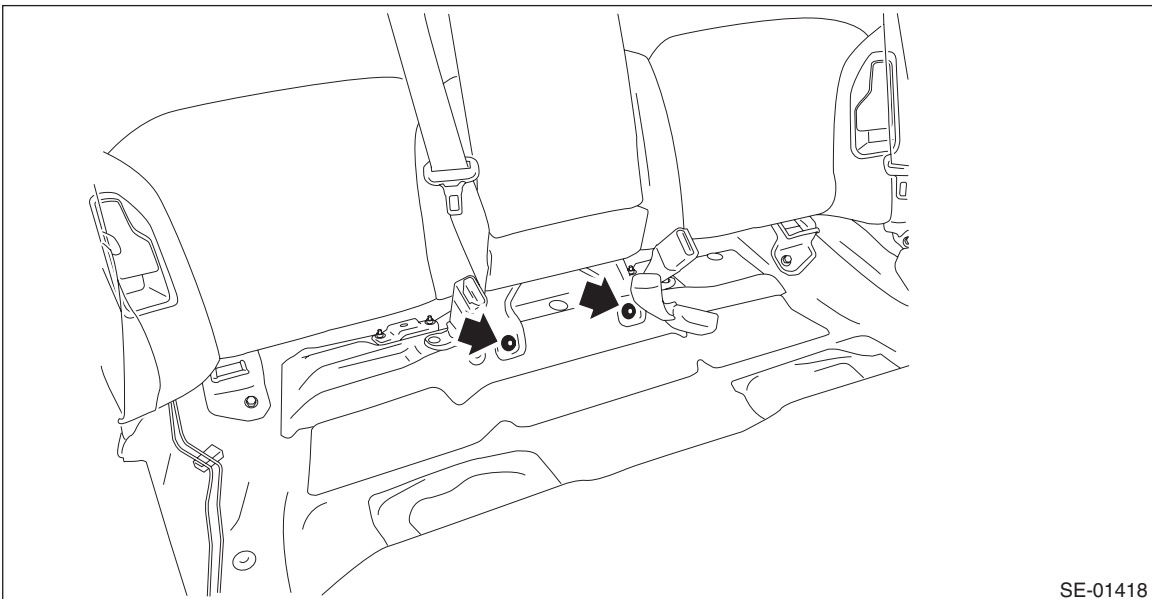
NOTE:

To release the claws of the side sill cover INN, the following steps are recommended.

1. Take out the weather strip from under the side sill cover INN.
2. Turn over the floor mat and release the claw (C-C and D-D) by accessing from behind the side sill cover INN.

4) Remove the left and right backrest assemblies.

- (1) Remove the headrest.
- (2) Remove the hinge bolts at the front of the backrest assembly RH.

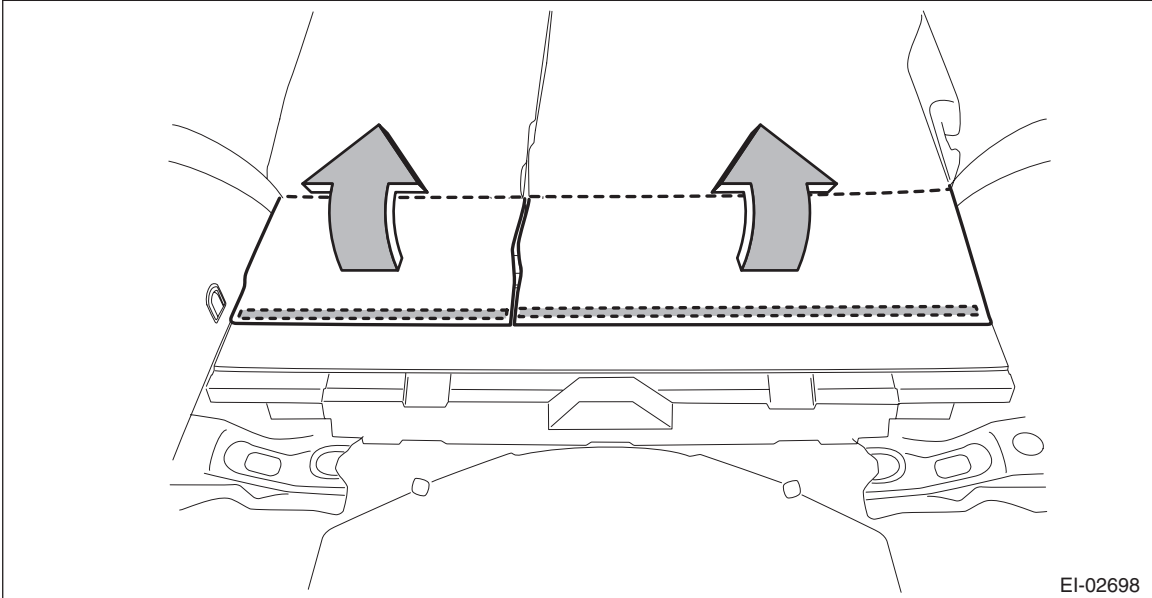


SE-01418

Roof Trim

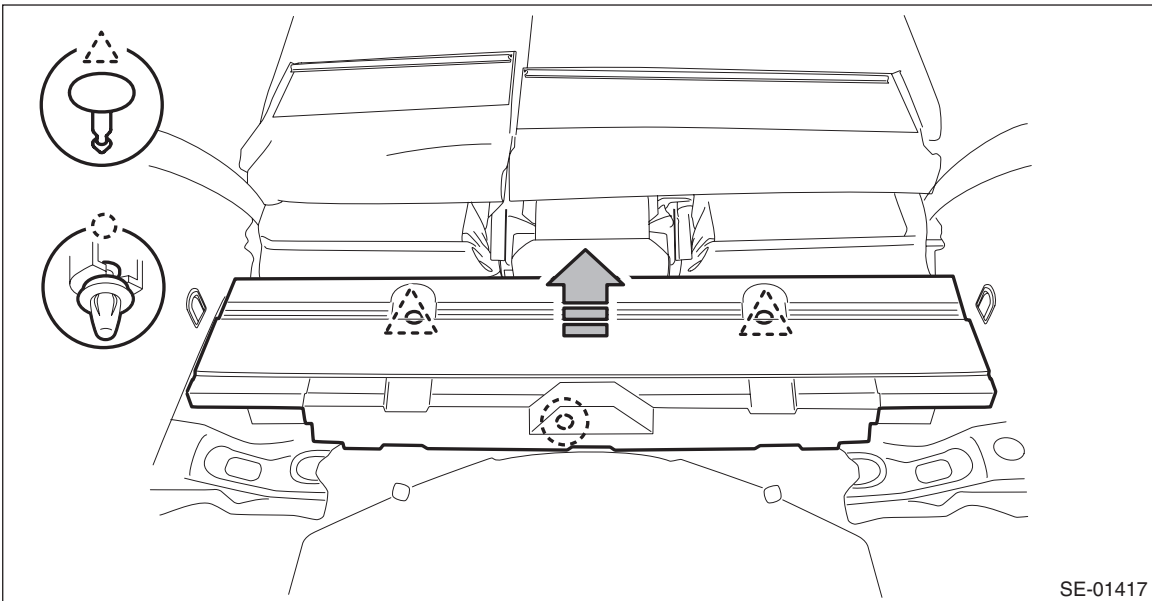
EXTERIOR/INTERIOR TRIM

- (3) Tilt the backrest forward, and then turn over the backrest backside mat.



EI-02698

- (4) Remove the clips, and remove the rear floor mat - front.

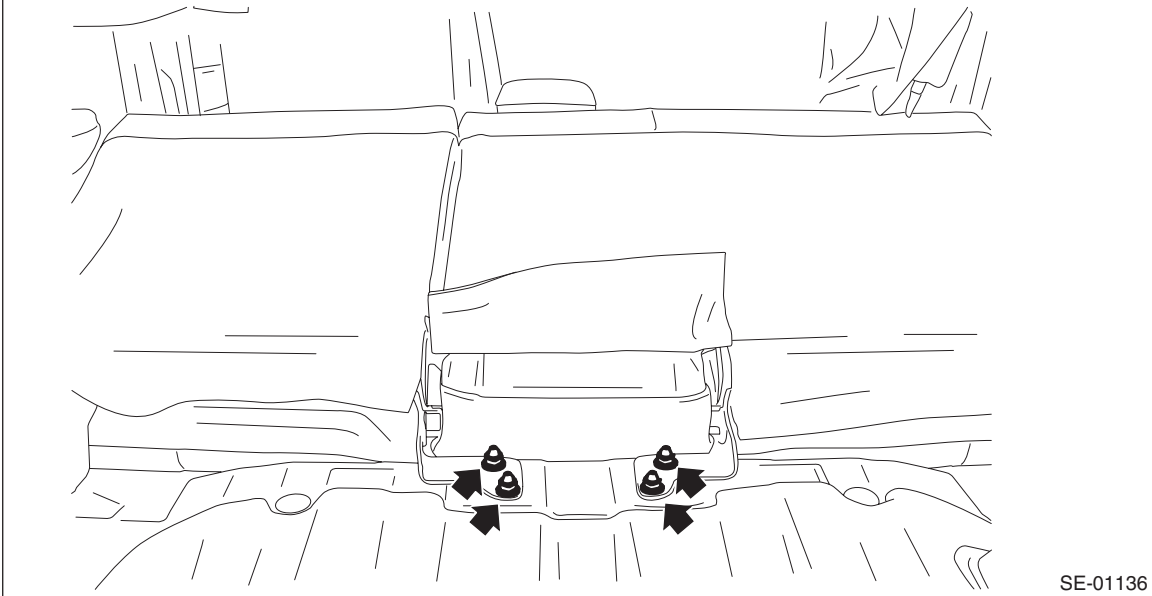


SE-01417

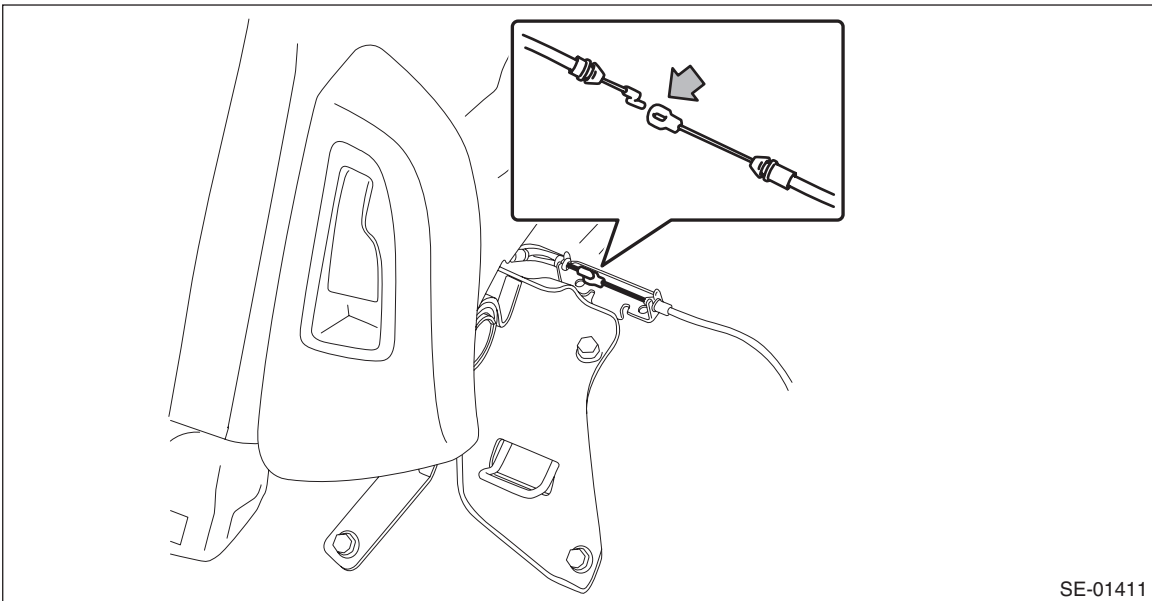
Roof Trim

EXTERIOR/INTERIOR TRIM

(5) Remove the nuts at the rear of backrest hinge.



(6) Disconnect the backrest cable and reclining cable.



NOTE:

The backrests cannot be detached while pin positions of the hinge assembly and backrests are not aligned.

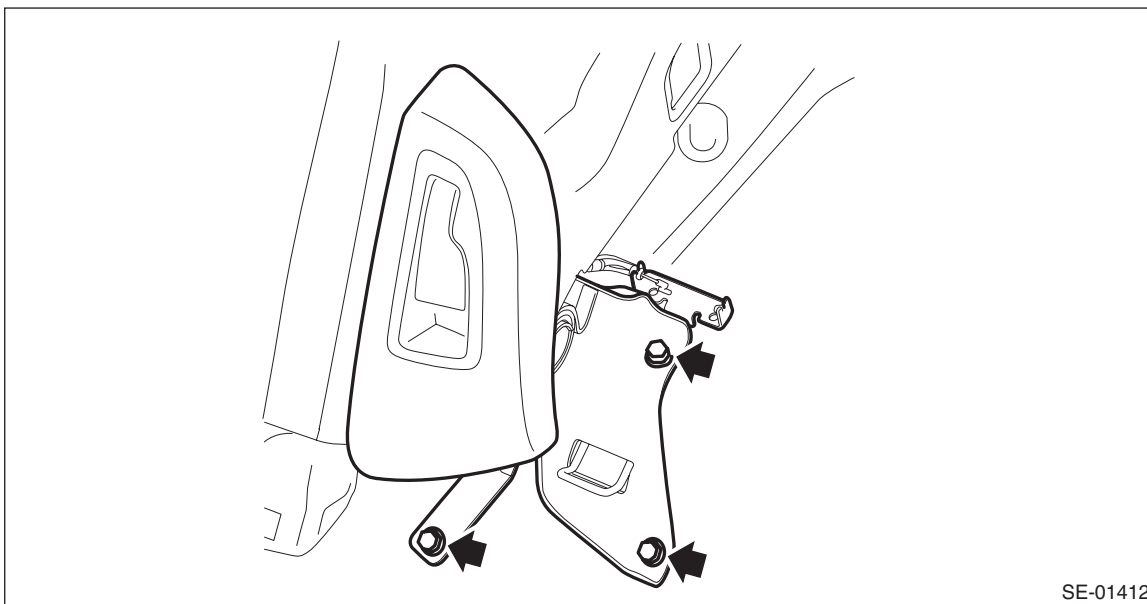
(7) Remove the backrest assembly RH from the hinge assembly RH.



NOTE:

The backrests cannot be detached while pin positions of the hinge assembly and backrests are not aligned.

- (8) Take out the part outside the vehicle so that the body is not damaged by the hinges.
- 5) Remove the bolts, and remove the backrest side pad assembly RH.

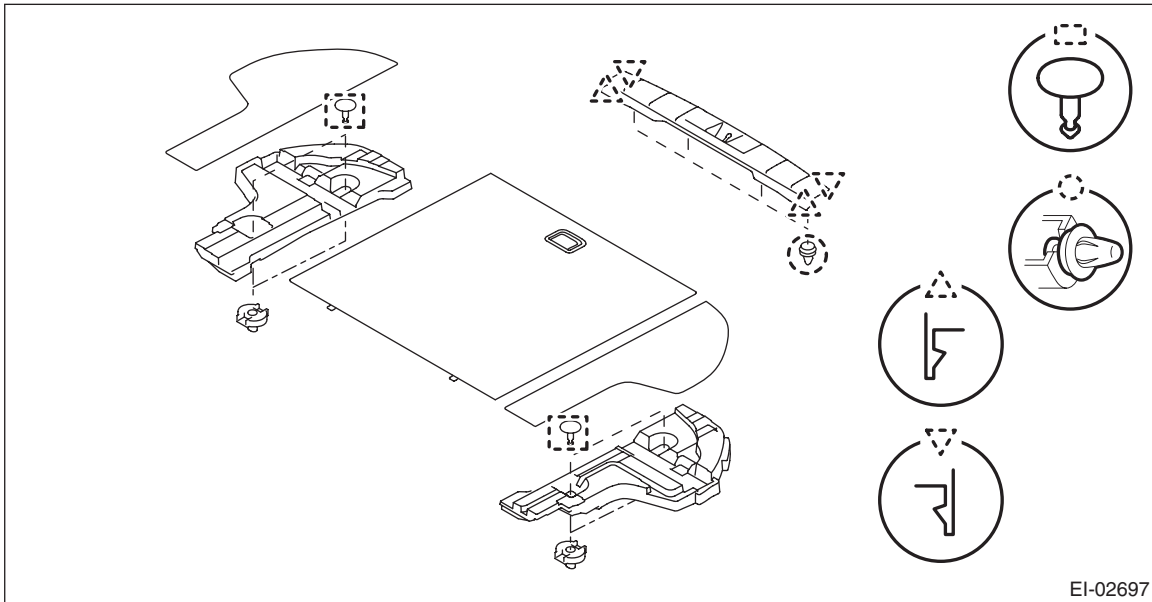


6) Referring to the above steps, remove the backrest assembly LH.

Roof Trim

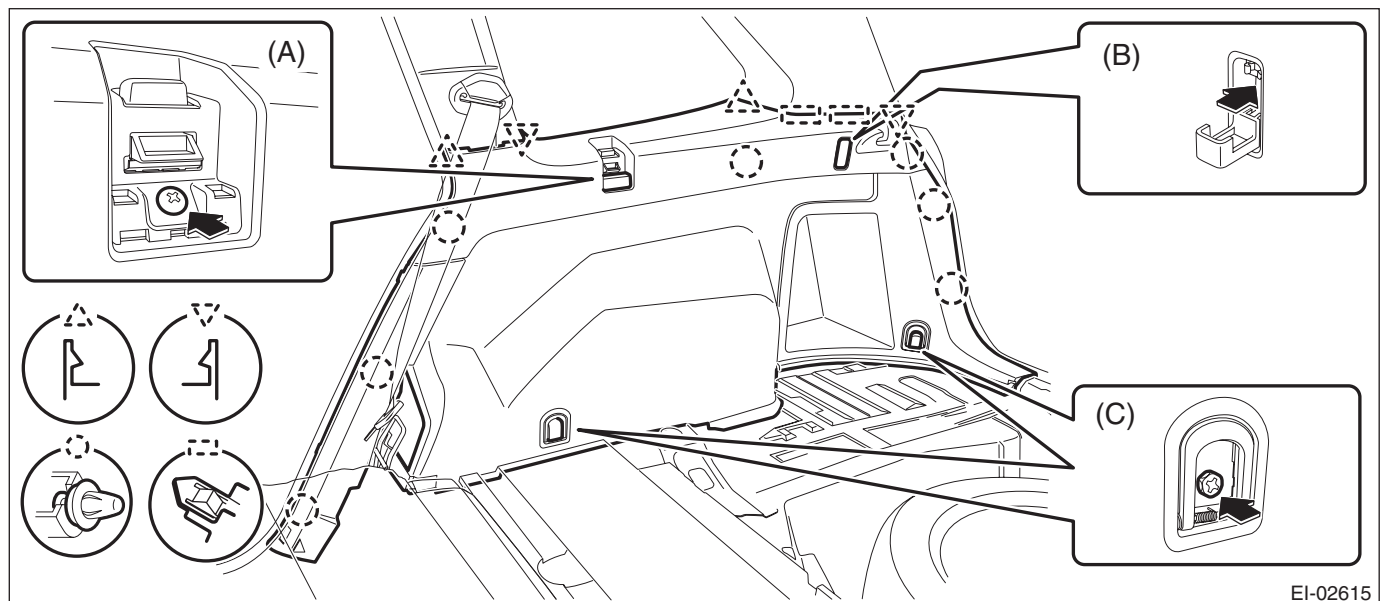
EXTERIOR/INTERIOR TRIM

7) Remove the clips, and remove the luggage floor box and rear floor edge cover.

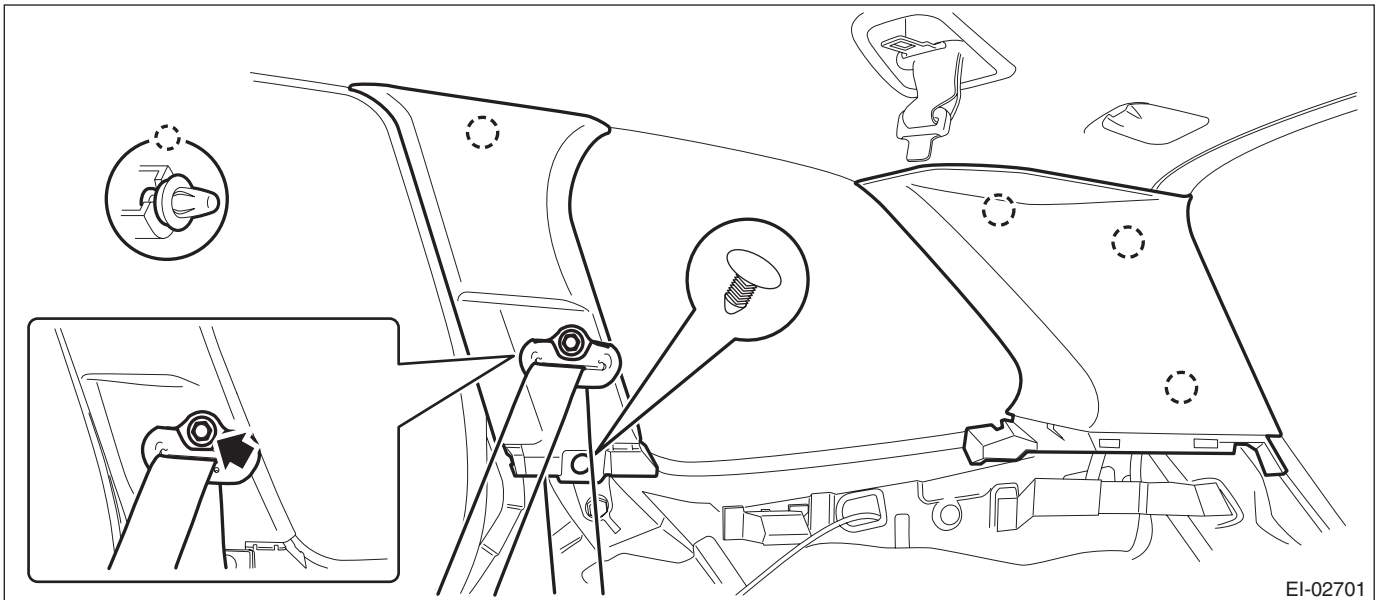


8) Remove the left and right rear quarter trim LWR.

- (1) Remove the caps, screws, and bolts. (A), (C)
- (2) Take out the hook and remove the screw inside. (B)
- (3) Remove the clips, and remove the rear quarter trim LWR.



- 9) Remove the left and right rear quarter trim UPR.
- (1) Open the cap and remove the bolt to remove the seat belt anchor.
 - (2) Remove the clips, and remove the rear quarter trim UPR - front.
 - (3) Remove the clips, and remove the rear quarter trim UPR - rear.



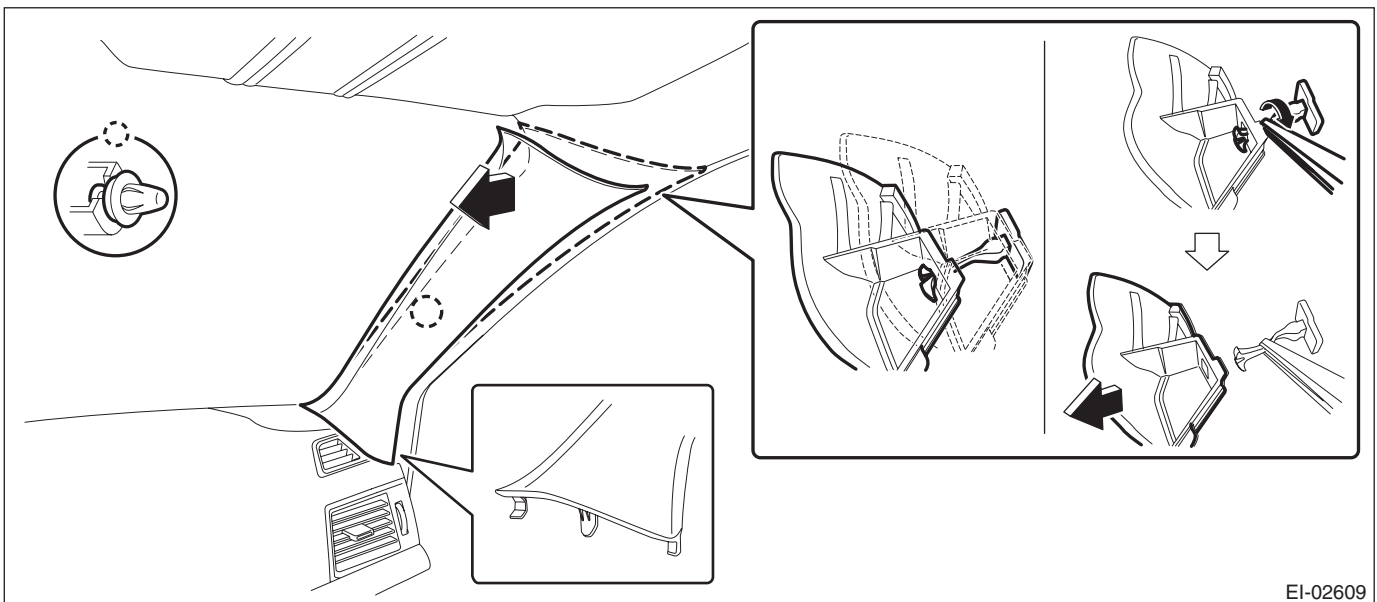
EI-02701

- 10) Remove the left and right front pillar trims.
- (1) Pull the upper part of the front pillar trim towards the center of the vehicle.
 - (2) Insert long-nose pliers into the top part of the trim, grip the tether clip with the pliers and twist 90° in that position.

CAUTION:

Be careful not to damage the pillar trim surface and curtain airbag module when inserting the pliers.

- (3) While holding the tether clip twisted as in the previous step, remove the front pillar trim from the tether clip.
- (4) Remove the clip and the front pillar trim.



EI-02609

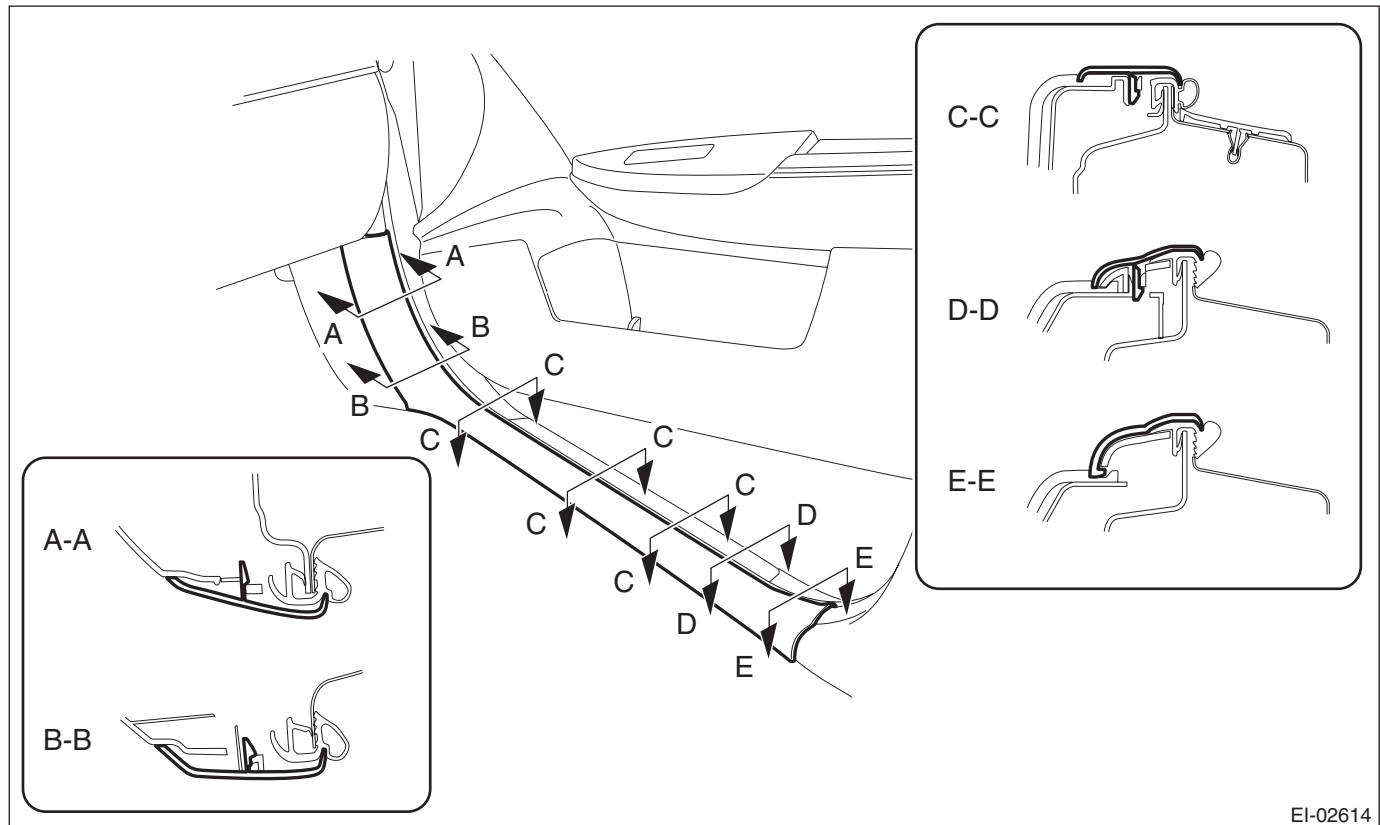
Roof Trim

EXTERIOR/INTERIOR TRIM

11) Release the claws, and then remove the side sill cover - front INN on the left and right sides.

CAUTION:

Do not pull with excessive force. Doing so may damage the claws of the side sill cover INN.



EI-02614

NOTE:

To release the claws of the side sill cover INN, the following steps are recommended.

1. Take out the weather strip from under the side sill cover INN.
2. Turn over the floor mat and release the claw (C-C) by accessing from behind the side sill cover INN.

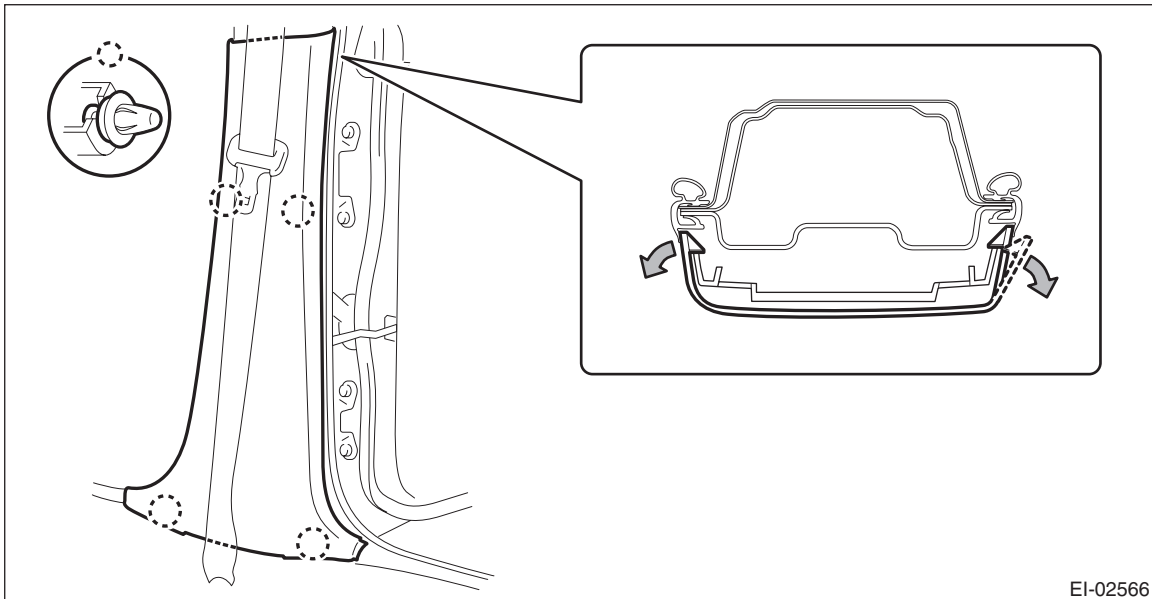
12) Remove the left and right center pillar trim LWR.

(1) Release the clip by pulling the center pillar trim LWR toward you.

(2) Expand the claws of center pillar trim LWR outward and remove it from the center pillar trim UPR.

CAUTION:

Do not expand the center pillar trim LWR excessively. Doing so may damage the trim.

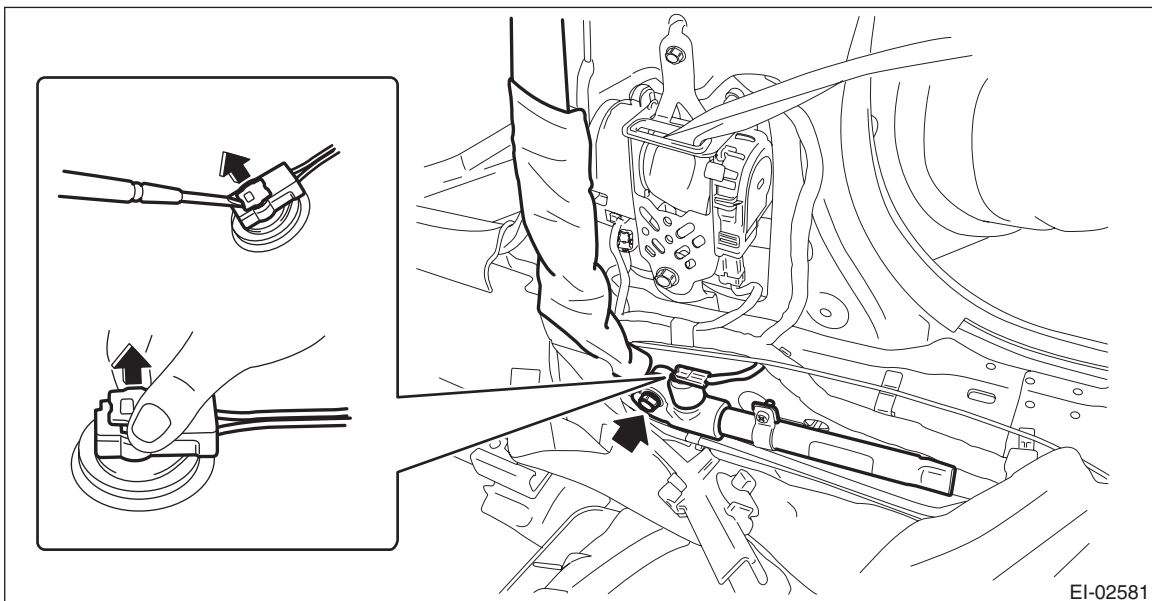


NOTE:

First release the claw located to the rear of the vehicle.

13) Remove the center pillar trim UPR.

Also disconnect the connector of lap seat belt pretensioner, and remove the seat belt lower anchor bolt.



(1) Release the clip by pulling the lower part of the trim toward you.

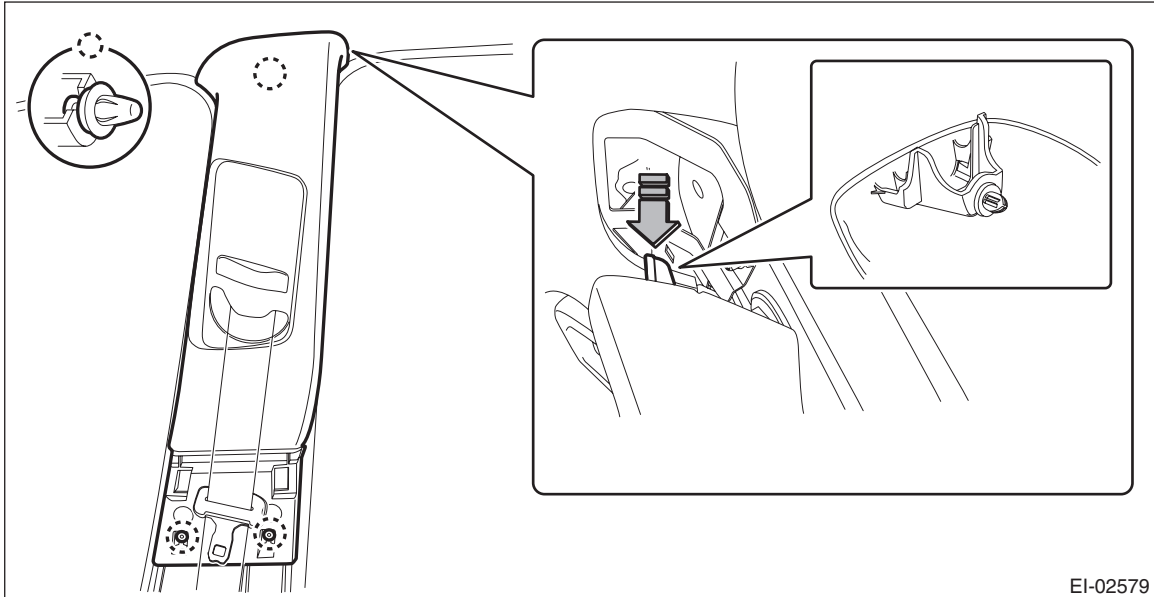
Roof Trim

EXTERIOR/INTERIOR TRIM

(2) Remove the clip by pulling the upper part of the trim toward you, and while lowering the entire trim, remove the center pillar trim UPR.

CAUTION:

Do not reuse the upper clips of the center pillar trim UPR. Once the clip is removed, its holding force is reduced. Be sure to replace it with a new clip.

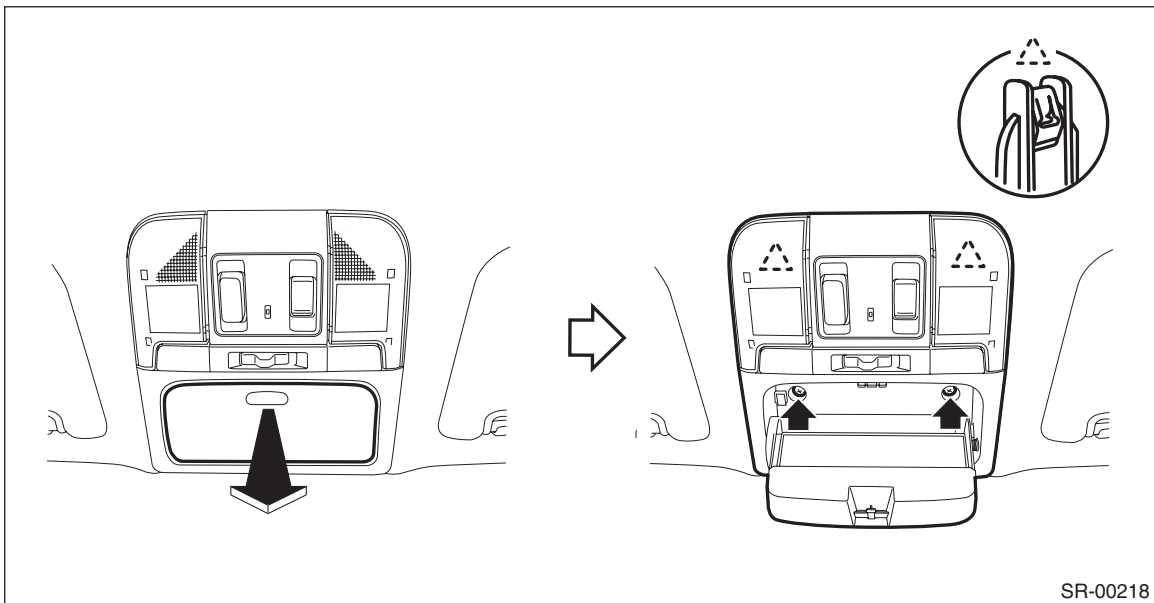


(3) Pull out the seat belt and remove the center pillar trim UPR.

14) Remove the overhead console assembly. (Models without EyeSight)

(1) Push and open the rear end of the overhead console lid, and remove the screws.

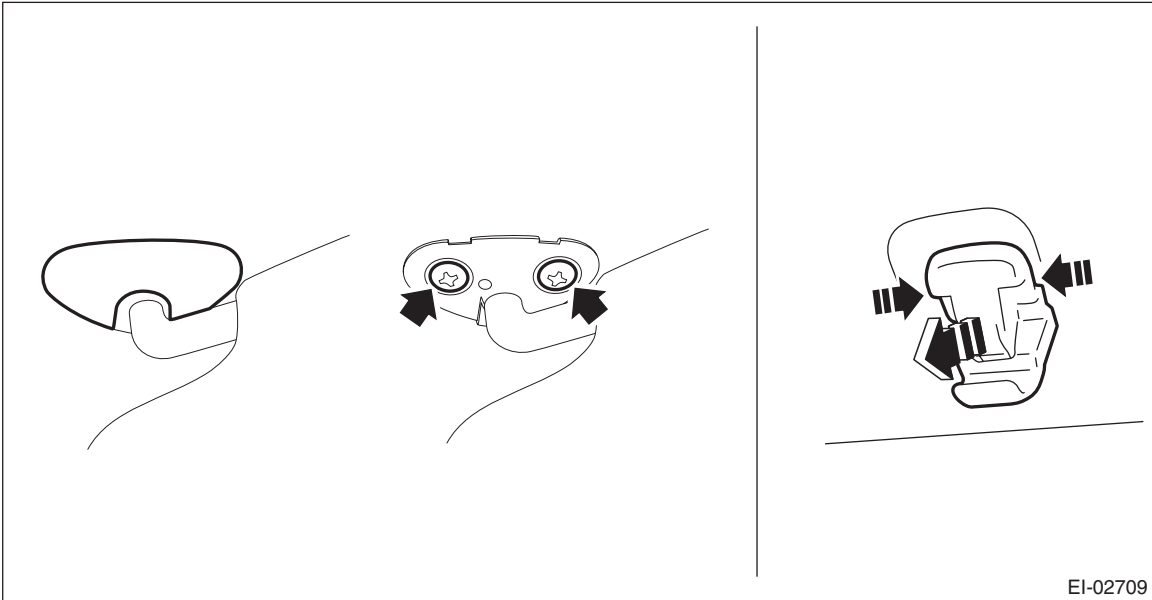
(2) Disconnect the connector and remove the overhead console assembly.



15) Remove the stereo camera cover. (Models with EyeSight) <Ref. to ES-8, REMOVAL, Stereo Camera.>

16) Remove the left and right sun visor assembly.

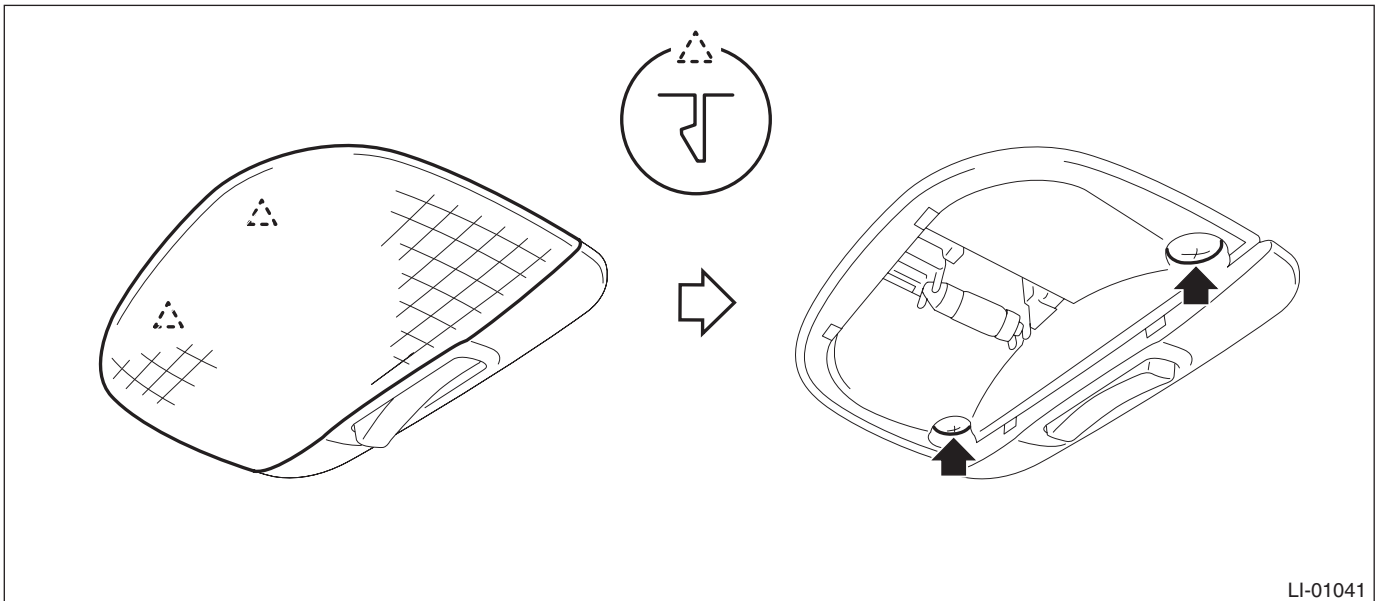
- (1) Remove the cover, loosen the screws, and remove the sun visor assembly.
- (2) Press the both sides of the sun visor hook using a flat tip screwdriver.
- (3) Remove the sun visor hook by pulling toward you.



EI-02709

17) Remove the room light assembly.

- (1) Release the claws and remove the cover.
- (2) Remove the two screws.



LI-01041

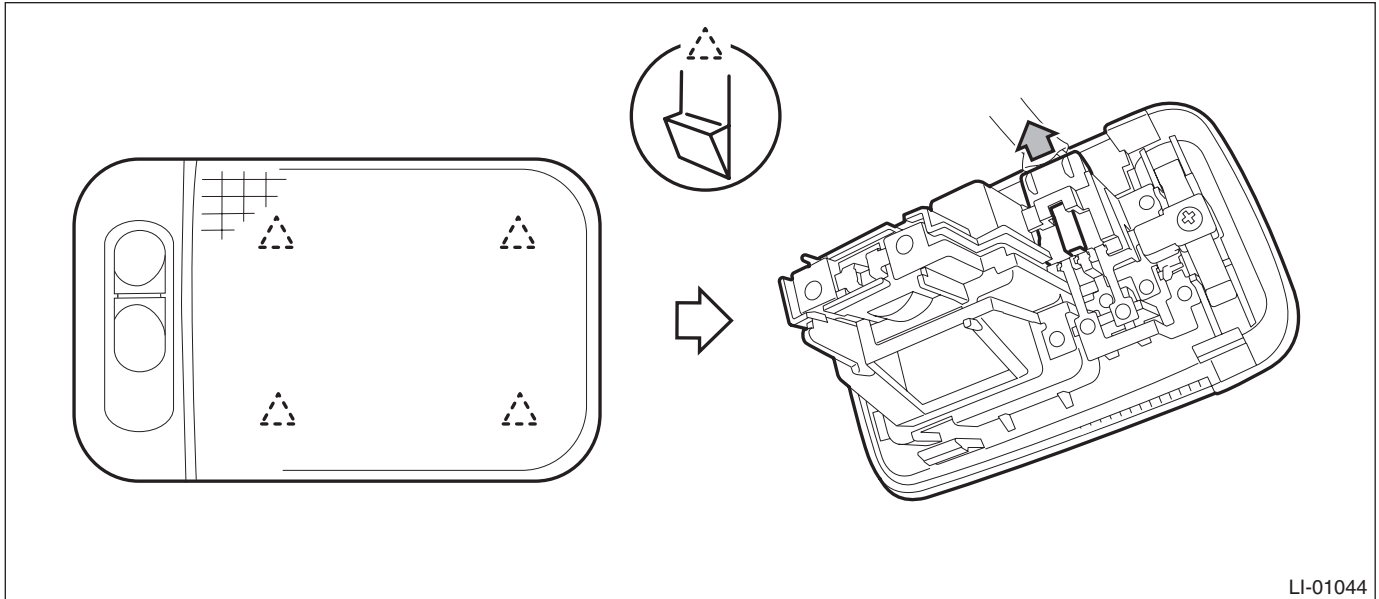
- (3) Disconnect the connector and remove the room light assembly.

Roof Trim

EXTERIOR/INTERIOR TRIM

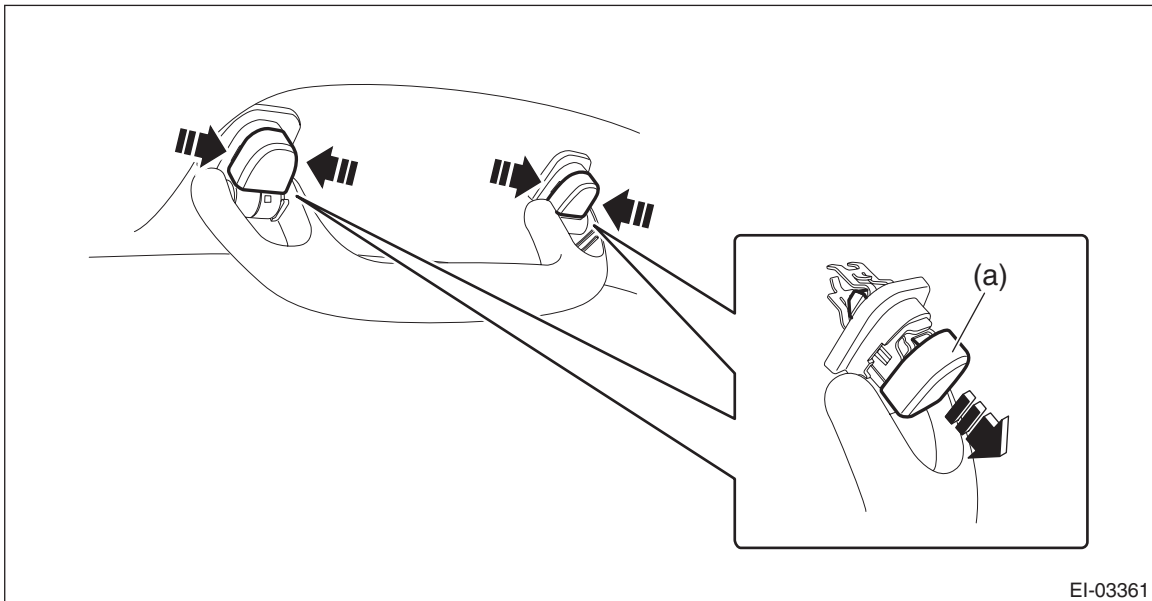
18) Remove the luggage light.

- (1) Release the claws and remove the luggage room light main body.
- (2) Disconnect the connector and remove the luggage room light.

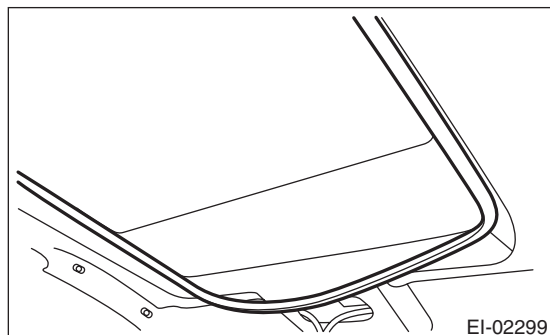


19) Remove all assist grip assembly.

- (1) Remove the cap (a) by pulling the both sides of the cap (a) using a flat tip screwdriver wrapped with a protection tape.
- (2) Pull the assist grip toward you (to the vehicle center) and remove the metal clip from the bracket.



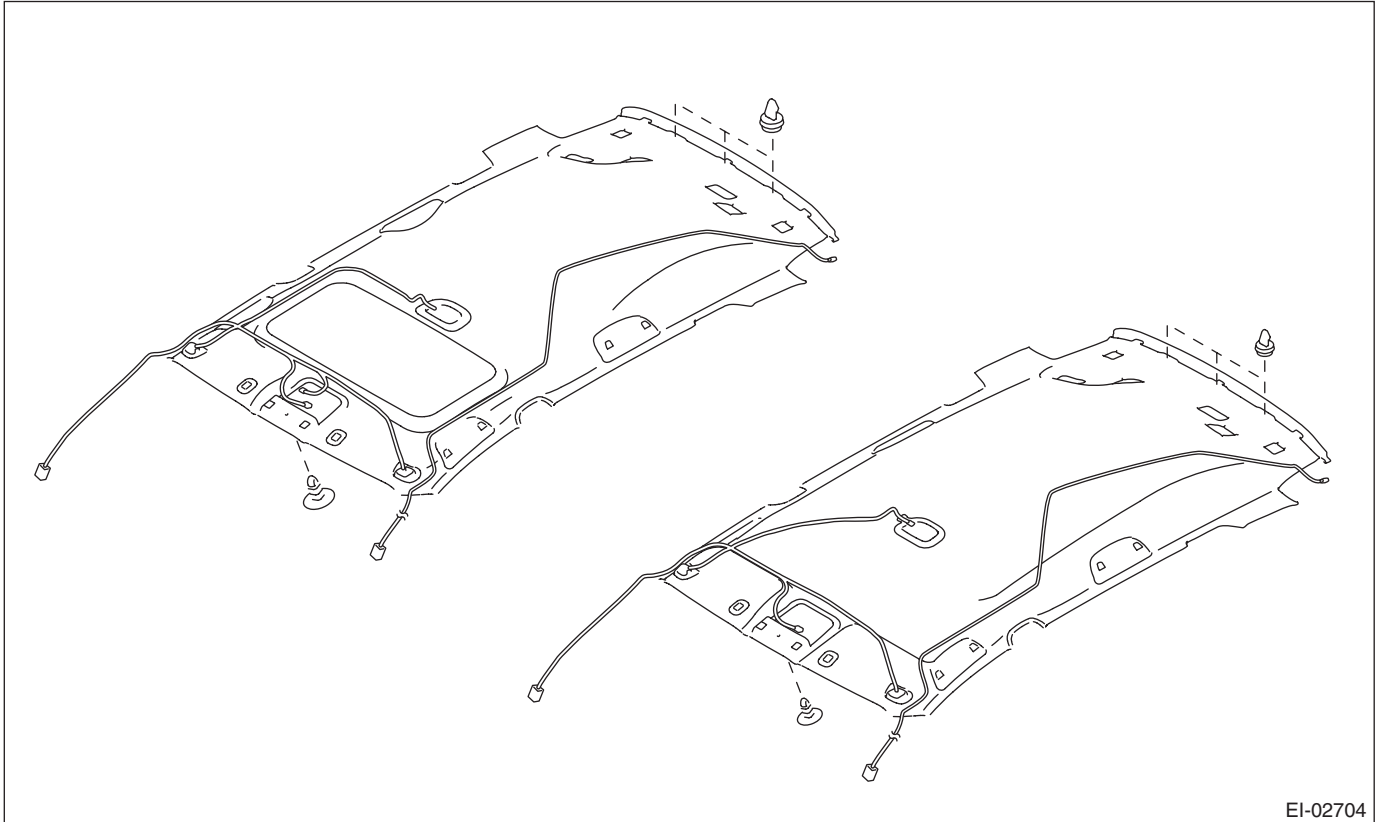
20) Remove the sun roof garnish. (model with sunroof)



Roof Trim

EXTERIOR/INTERIOR TRIM

- 21) Disconnect the roof harness connector at the front pillar RH.
- 22) Remove the roof trim assembly.
 - (1) Release the clips and remove the feeder cord and roof cord from the roof trim.
 - (2) Take out the roof trim assembly from the rear gate opening to outside.



Roof Trim

EXTERIOR/INTERIOR TRIM

B: INSTALLATION

1) Attach the feeder cord and roof cord to the roof trim.

CAUTION:

Route each cord carefully. The cord may interfere with the airbag and prevent normal deployment of the curtain airbag when necessary.

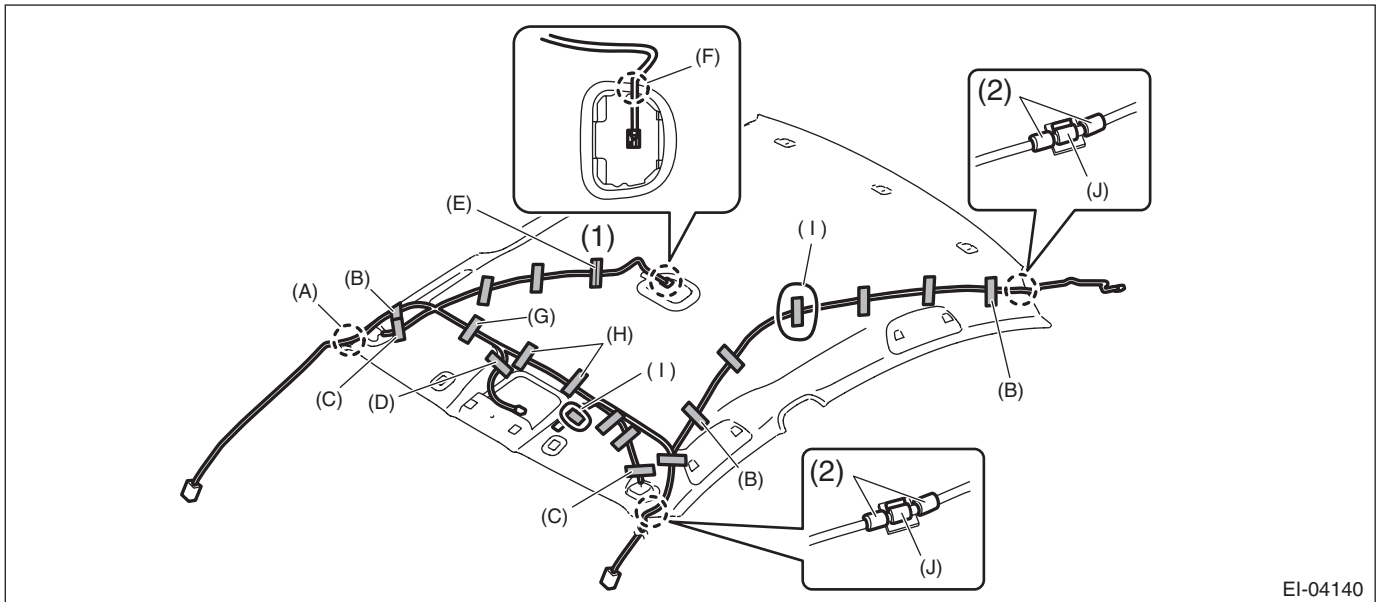
Tape:

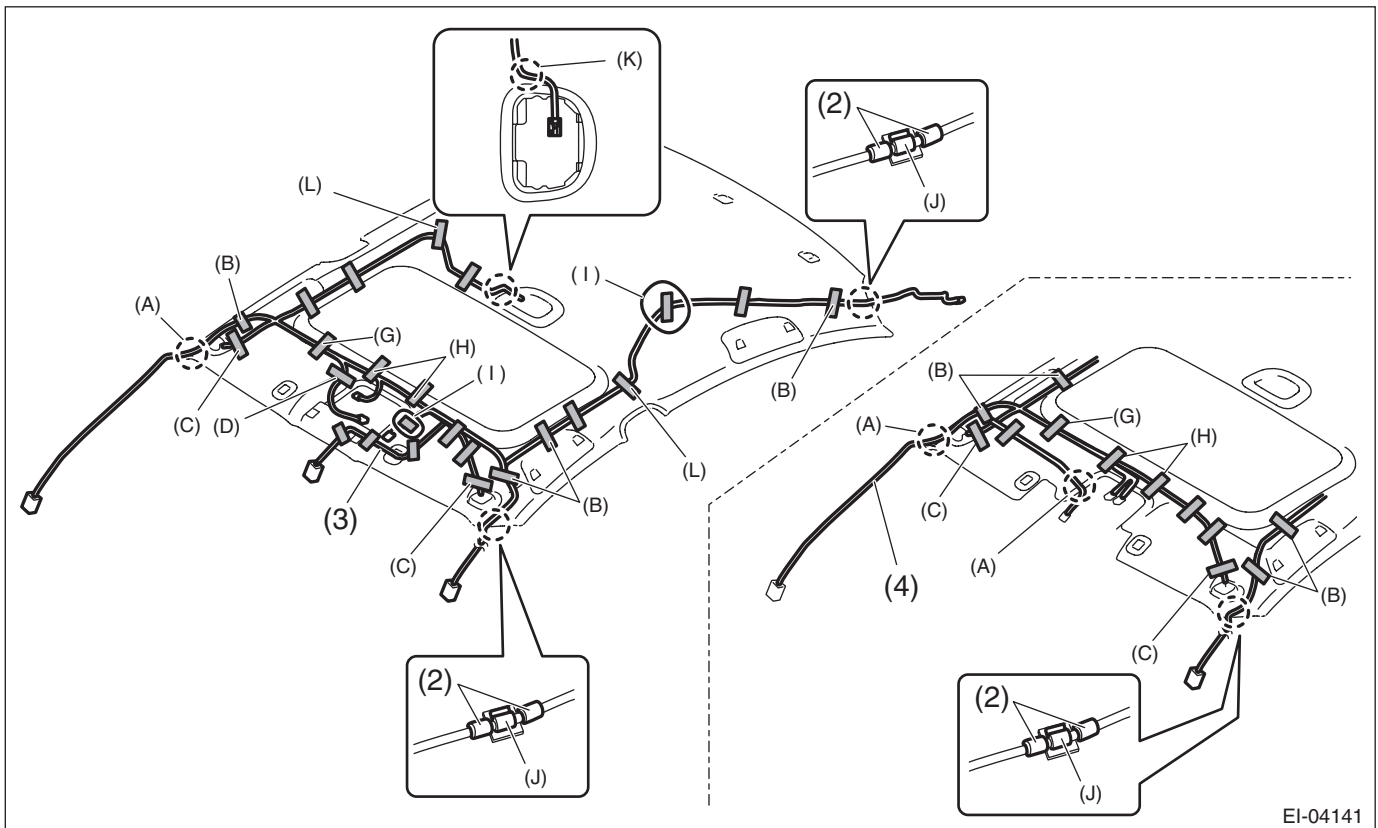
Item number: 86359SC000/TAPE

NOTE:

Use the tape (service parts) by cutting into 80 mm x 50 mm (3.2 in x 2.0 in).

- Sedan model





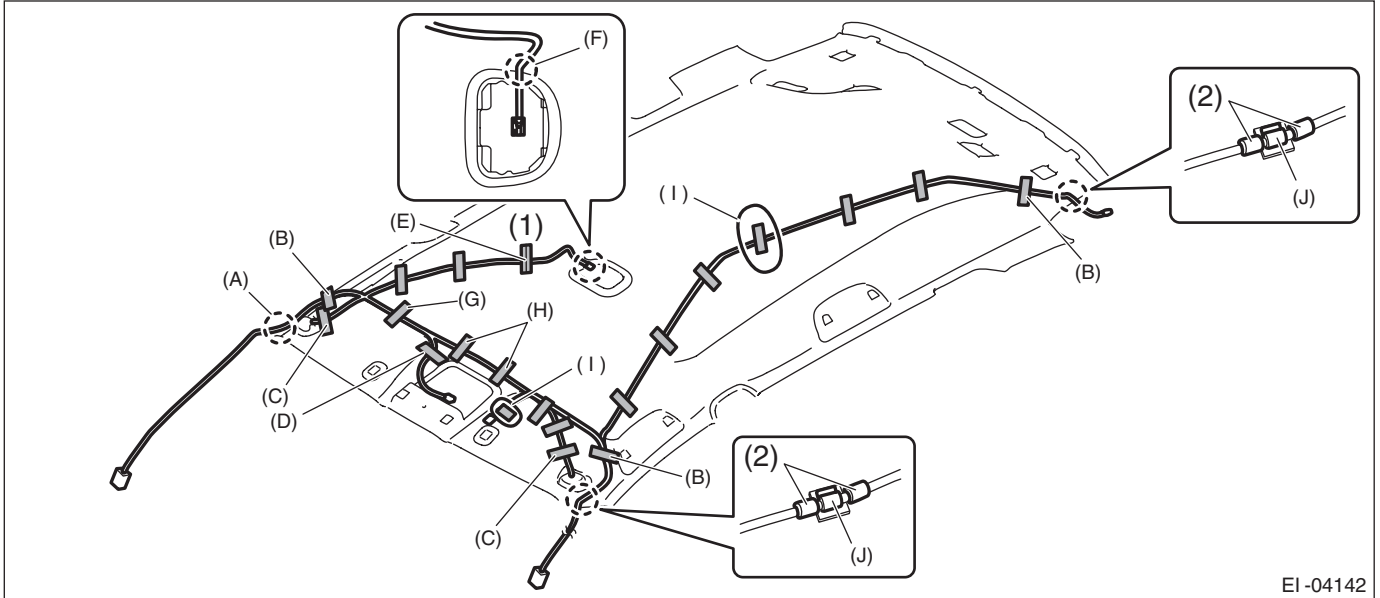
EI-04141

- | | | |
|--|---|---|
| (1) Mark-off line | (3) Only for models with automatic anti-glare mirror | (4) Only for models with EyeSight |
| (2) Polyurethane tape | | |
| (A) Align the marking (white) center of cord with the clamp to secure. | (E) Affix with tape while aligning with the mark-off line. | (I) Adjust the excess cord at position (1) and secure it with tape. |
| (B) Affix with tape while avoiding the assist grip surface. | (F) Place the marking (white) cord center to adjust the excess. | (J) Place the clamp between the polyurethane tapes to secure. |
| (C) Adjust the excess cord to 60±10 mm (2.4±0.4 in) from the hole edge, and affix with tape. | (G) Align with the center of sun visor, and affix with tape. | (K) Pass the marking (white) of cord under the clamp. |
| (D) Affix right after the cord branching point with tape. | (H) Affix the rear left and right of the hole with tape. | (L) Affix the cord at the pad rear end with tape. |

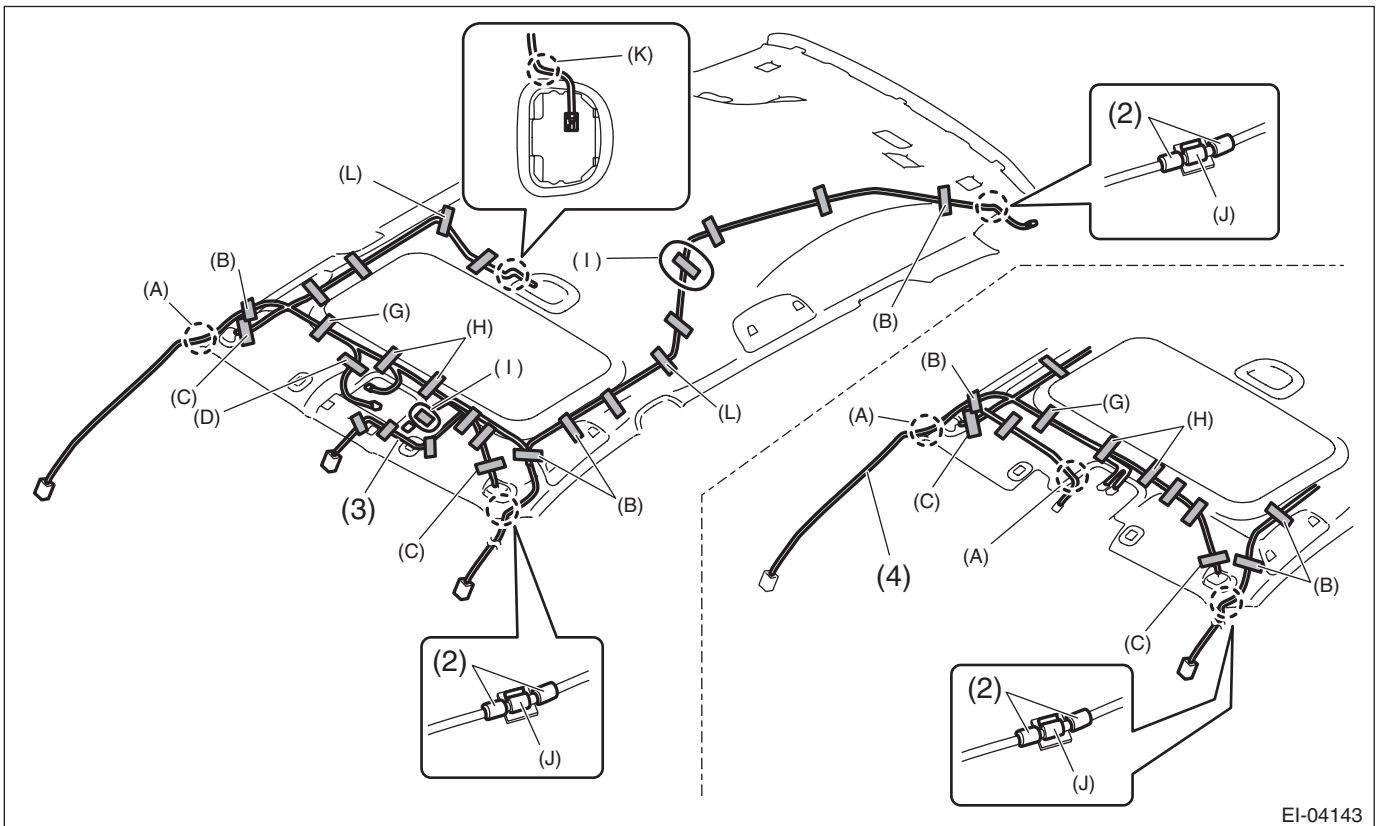
Roof Trim

EXTERIOR/INTERIOR TRIM

- OUTBACK model



EI-04142



EI-04143

- | | | |
|--|---|---|
| (1) Mark-off line | (3) Only for models with automatic anti-glare mirror | (4) Only for models with EyeSight |
| (2) Polyurethane tape | | |
| (A) Align the marking (white) center of cord with the clamp to secure. | (E) Affix with tape while aligning with the mark-off line. | (I) Adjust the excess cord at (I) position and affix with tape. |
| (B) Affix with tape while avoiding the assist grip surface. | (F) Place the marking (white) cord center to adjust the excess. | (J) Place the clamp between the polyurethane tapes to secure. |
| (C) Adjust the excess cord to 60±10 mm (2.4±0.4 in) from the hole edge, and affix with tape. | (G) Align with the center of sun visor, and affix with tape. | (K) Pass the marking (white) of cord under the clamp. |
| (D) Affix right after the cord branching point with tape. | (H) Affix the rear left and right of the hole with tape. | (L) Affix the cord at the pad rear end with tape. |

2) Install each part in the reverse order of removal.

CAUTION:

- For installation of the stereo camera cover, refer to “INSTALLATION”, “Stereo Camera Cover” in the “EyeSight” section and observe the precautions for installation. <Ref. to ES-12, INSTALLATION, Stereo Camera.>

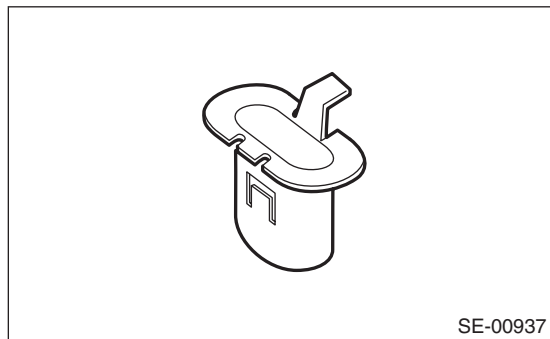
- Do not reuse the tether clips on the upper part of the front pillar trim. Always replace with a new part.

Once the tether clip is removed from the pillar trim, the retention power deteriorates and the front pillar trim may come off.

- Do not reuse the clips on the upper part of the center pillar trim. Once the clip is removed, its holding force is reduced. Be sure to replace it with a new clip.

- Before installing the front pillar trim, check the condition of (white) protective unwoven cloth of curtain airbag. If it is damaged (airbag module cloth is exposed), replace the curtain airbag module assembly with a new part.

- If the hook is disconnected from the vehicle body, replace the hook with the new part to prevent the decline of the fixed force of the seat.



Tightening torque:

Sedan model

Backrest assembly: 53 N·m (5.40 kgf·m, 39.1 ft·lb)

Rear seat belt:<Ref. to SB-3, REAR SEAT BELT (SEDAN MODEL), COMPONENT, General Description.>

Front seat belt:<Ref. to SB-2, FRONT SEAT BELT, COMPONENT, General Description.>

OUTBACK model

Rear seat belt:<Ref. to SB-4, REAR SEAT BELT (OUTBACK MODEL), COMPONENT, General Description.>

Front seat belt:<Ref. to SB-2, FRONT SEAT BELT, COMPONENT, General Description.>