

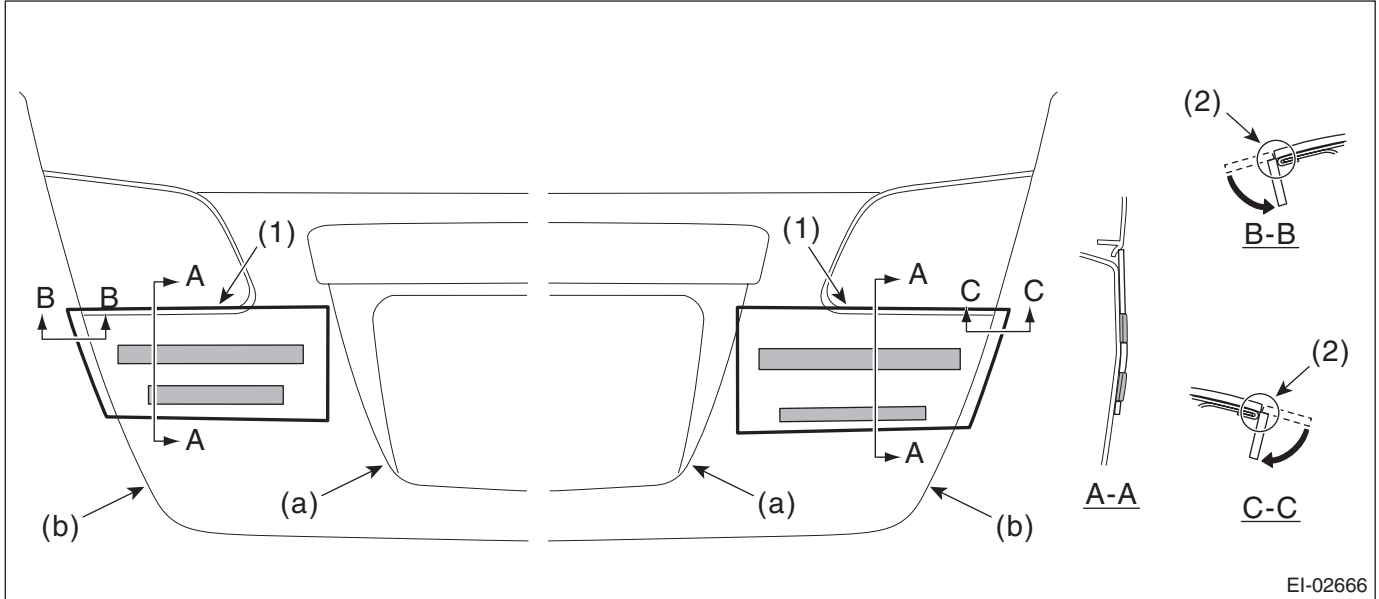
32.Ornament

A: INSTALLATION

1. LETTER MARK

Adhere the letter mark according to the following measurements.

- Sedan model



EI-02666

(a) Character line

(b) Trunk lid panel end

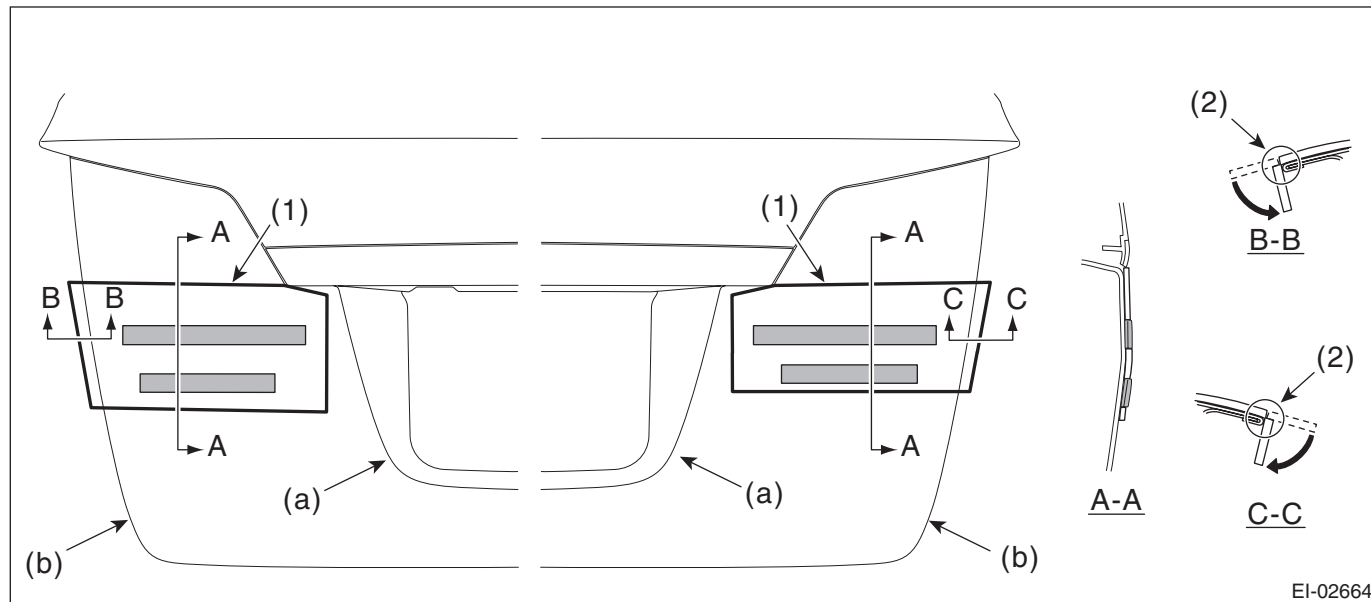
(1) Align the top end of application tape to the radius start of the rear finisher light.

(2) Align the slit of application tape to the end of trunk lid panel and break off the application tape.

Ornament

EXTERIOR/INTERIOR TRIM

- OUTBACK model



EI-02664

(a) Character line

(b) End of rear gate panel

(1) Align the top end of application tape to the bottom of the rear finisher light.

(2) Align the slit of application tape to the end of rear gate panel and break off the application tape.

EXTERIOR BODY PANELS



| | Page |
|------------------------------|-------------|
| 1. General Description | 2 |
| 2. Front Hood | 9 |
| 3. Front Fender | 16 |
| 4. Front Door | 24 |
| 5. Front Sealing Cover | 30 |
| 6. Rear Door | 32 |
| 7. Rear Sealing Cover | 37 |
| 8. Door Sash Tape | 39 |
| 9. Trunk Lid | 43 |
| 10. Rear Gate | 48 |
| 11. Protector Tape | 55 |