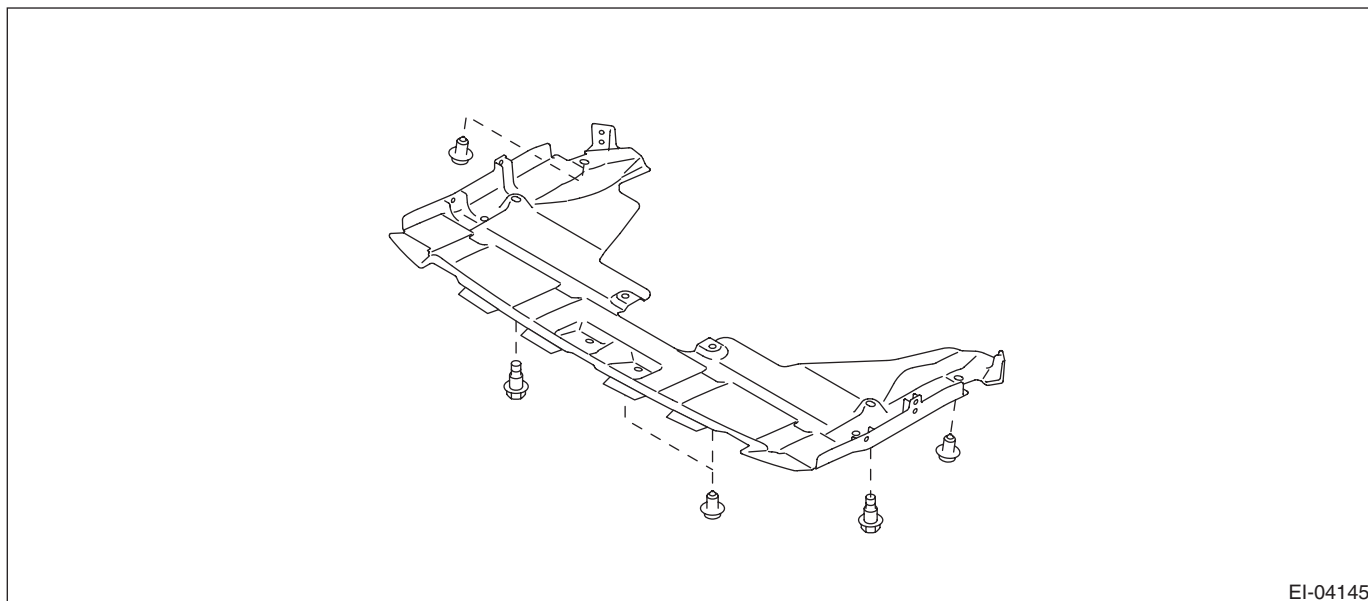


## 4. Front Under Cover

### A: REMOVAL

- 1) Lift up the vehicle.
- 2) Remove the bolts and clips, and remove the front under cover.

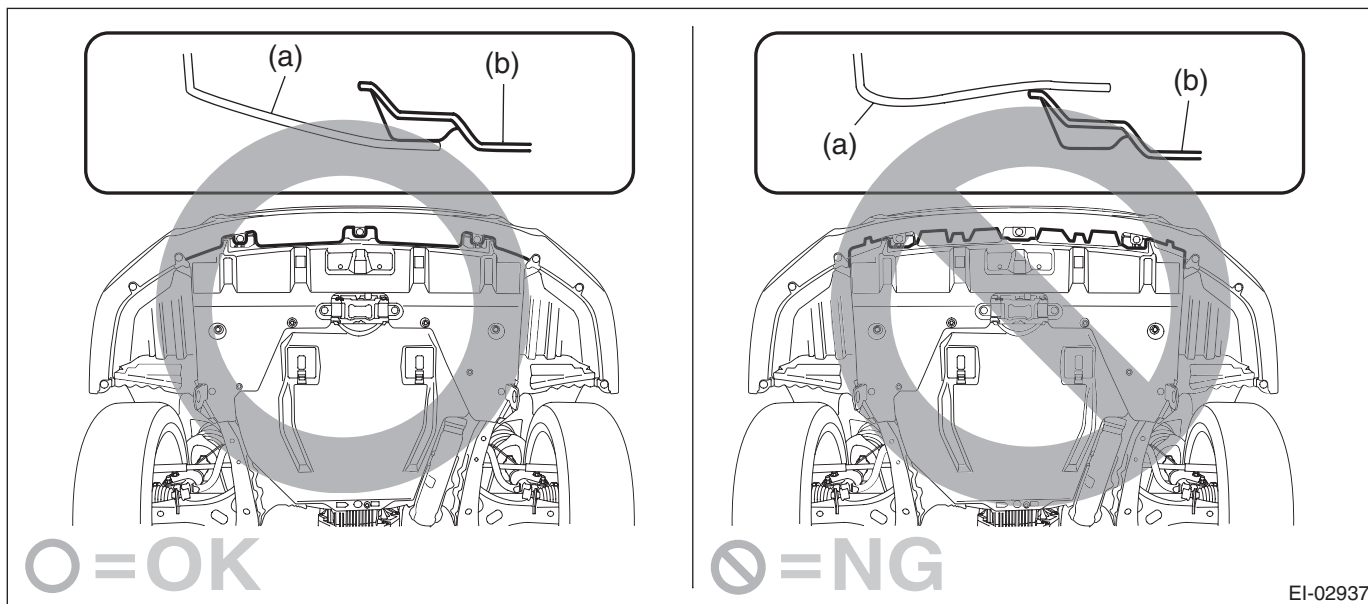


EI-04145

### B: INSTALLATION

#### CAUTION:

Install the under cover so that the under cover front end (b) comes inside of the front bumper face (a).



EI-02937

Install each part in the reverse order of removal.

#### Tightening torque:

**17.5 N·m (1.78 kgf-m, 12.9 ft-lb)**