

# Rear Bumper

EXTERIOR/INTERIOR TRIM

## 9. Rear Bumper

### A: REMOVAL

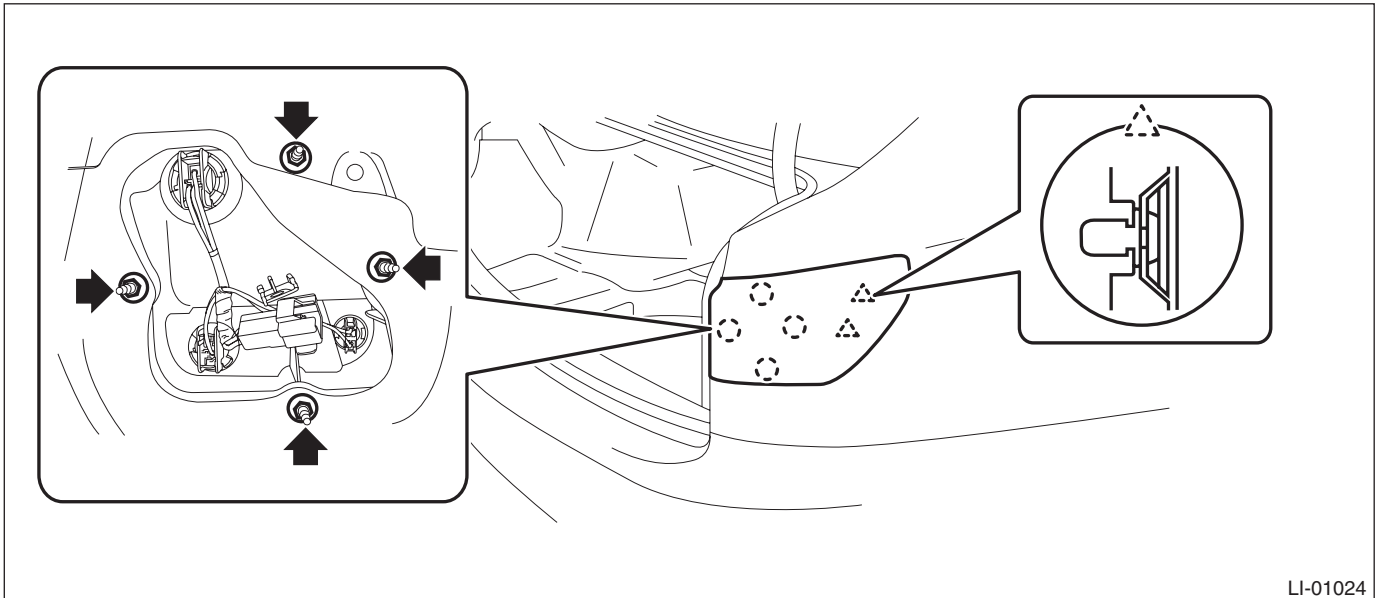
1) Remove the rear combination light assembly.

- Sedan model

1. Remove the trunk room trim. <Ref. to EI-130, REMOVAL, Trunk Room Trim.>
2. Disconnect the connector.
3. Release the nuts and clips, then remove the rear combination light assembly.

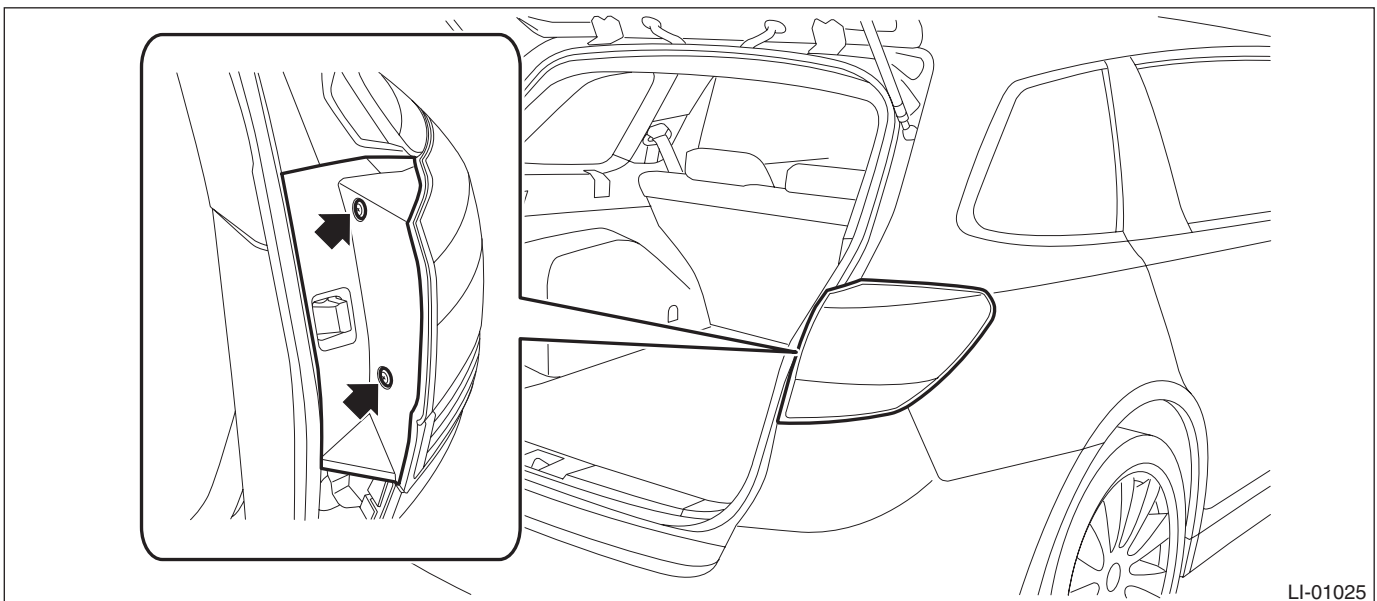
**CAUTION:**

**Be careful not to damage the clips.**



- OUTBACK model

1. Remove the clips and detach the rear combination light covers.

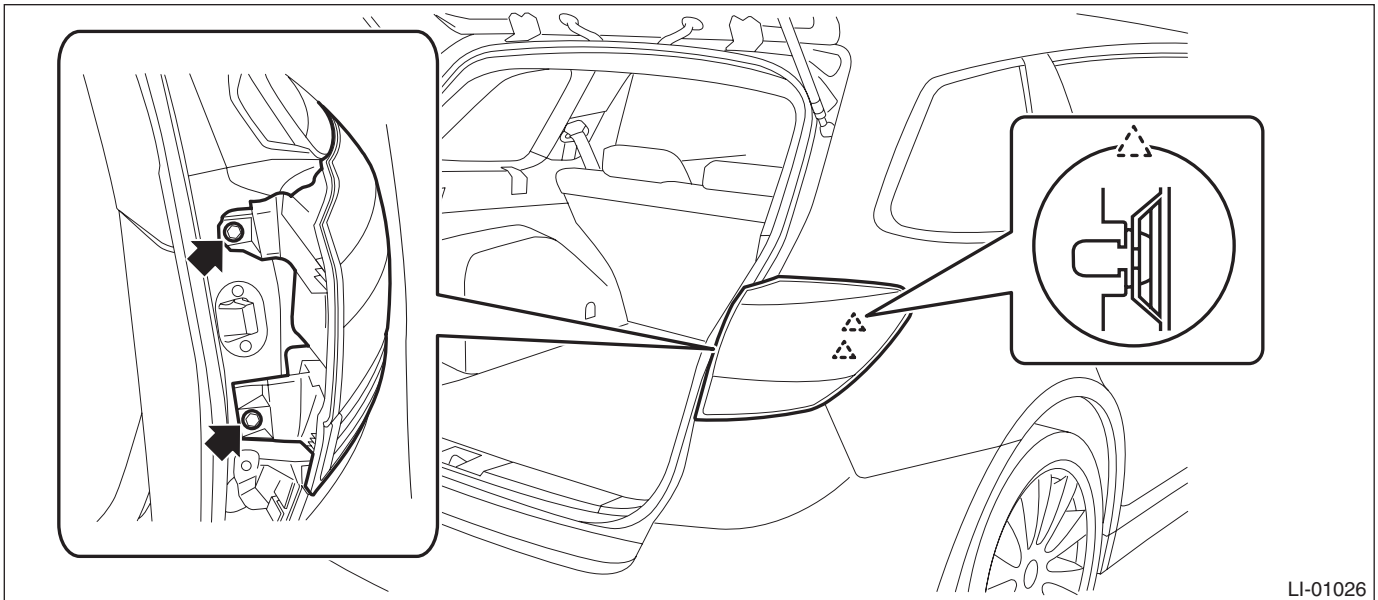


2. Release the bolts and clips, then pull out the rear combination light assembly to the vehicle rear.

3. Disconnect the connector and remove the rear combination light assembly.

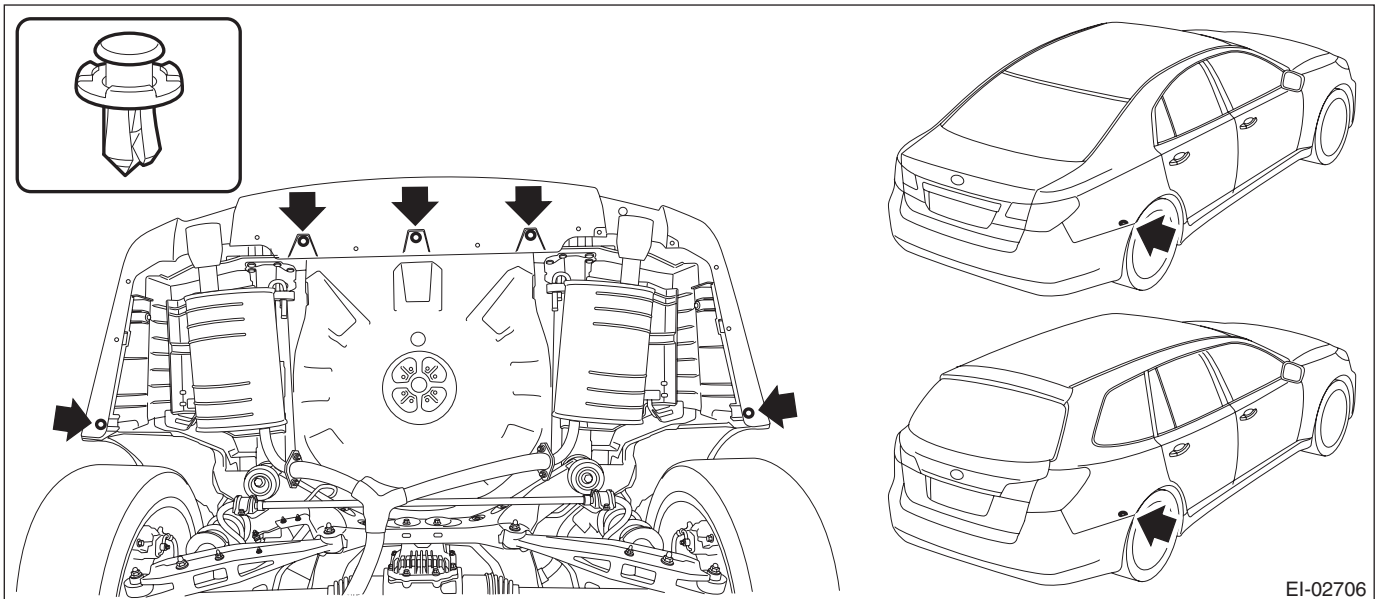
**CAUTION:**

Be careful not to damage the clips.



LI-01026

- 2) Remove the rear bumper face assembly.
  - (1) Remove the clips inside the wheel housing.
  - (2) Remove the clips at the lower side of rear bumper.



EI-02706

- (3) Detach the (b) and (c) while pulling up (a) of the bumper.
- (4) Detach (e) while pulling up the bumper (d).
- (5) Detach the opposite side in the same manner.

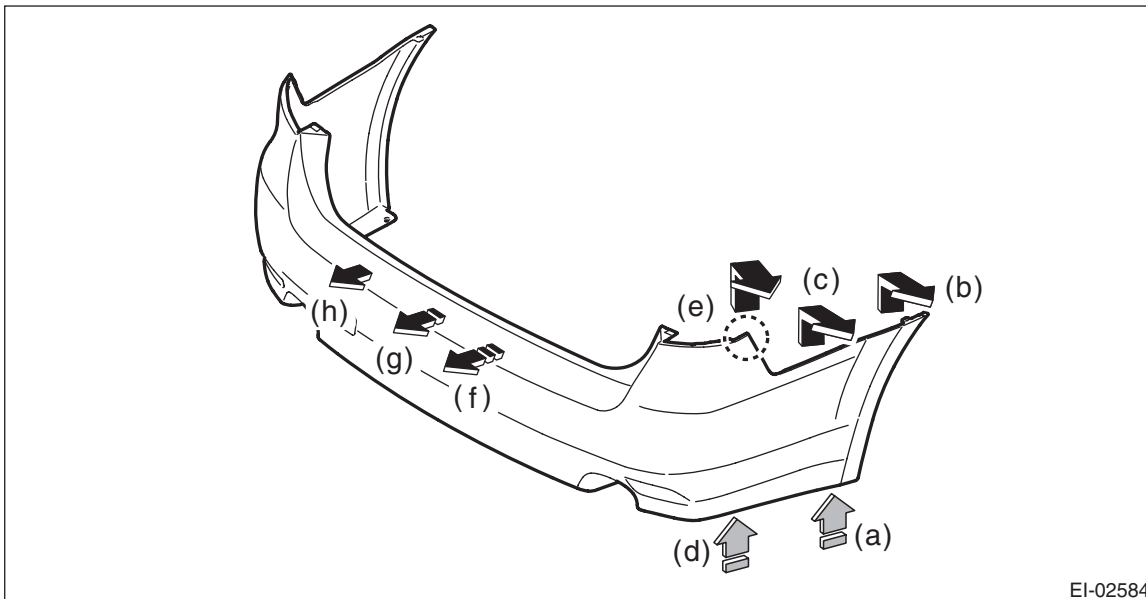
## Rear Bumper

### EXTERIOR/INTERIOR TRIM

(6) Detach in order from (f) to (h) while pulling up center part of the bumper face.

#### CAUTION:

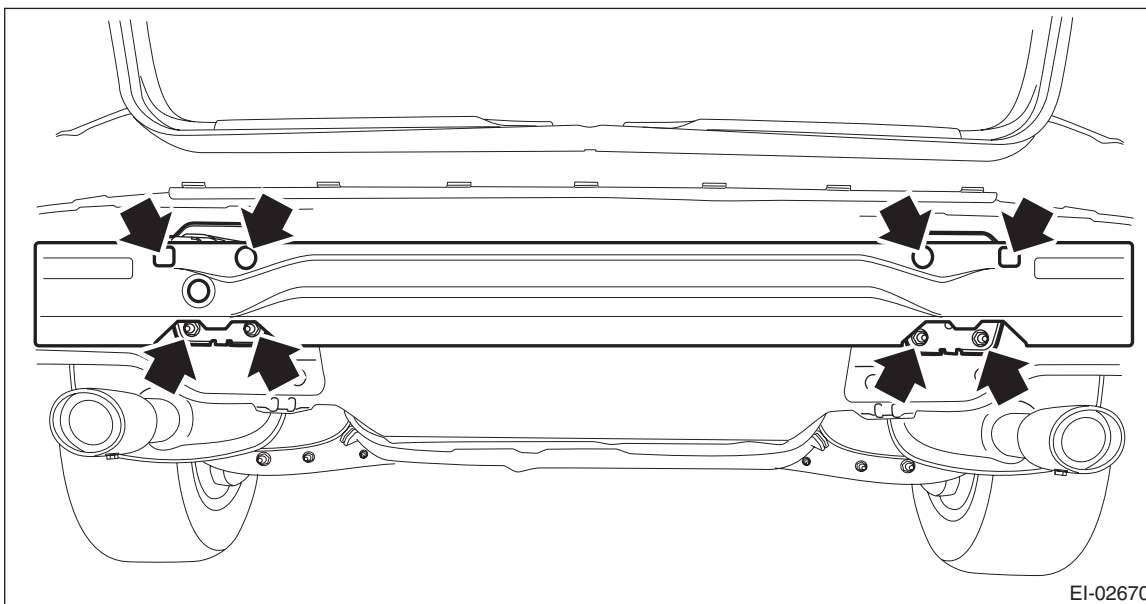
Do not pull forcibly. It may damage the flange section on the bumper face - rear side when it comes off from the claws of the bracket - rear bumper.



3) Remove the rear bumper beam assembly.

(1) Remove the energy absorber foam.

(2) Remove the nuts, and remove the rear bumper beam assembly from vehicle body.



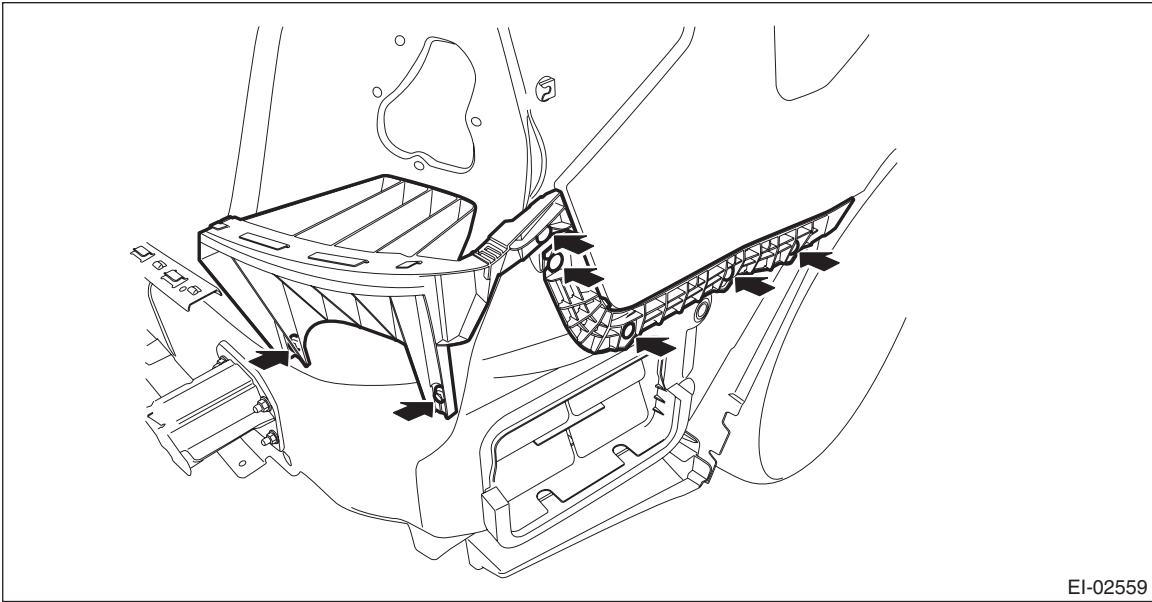
#### NOTE:

After all nuts are removed, raise the rear bumper beam assembly a little to remove it from vehicle body.

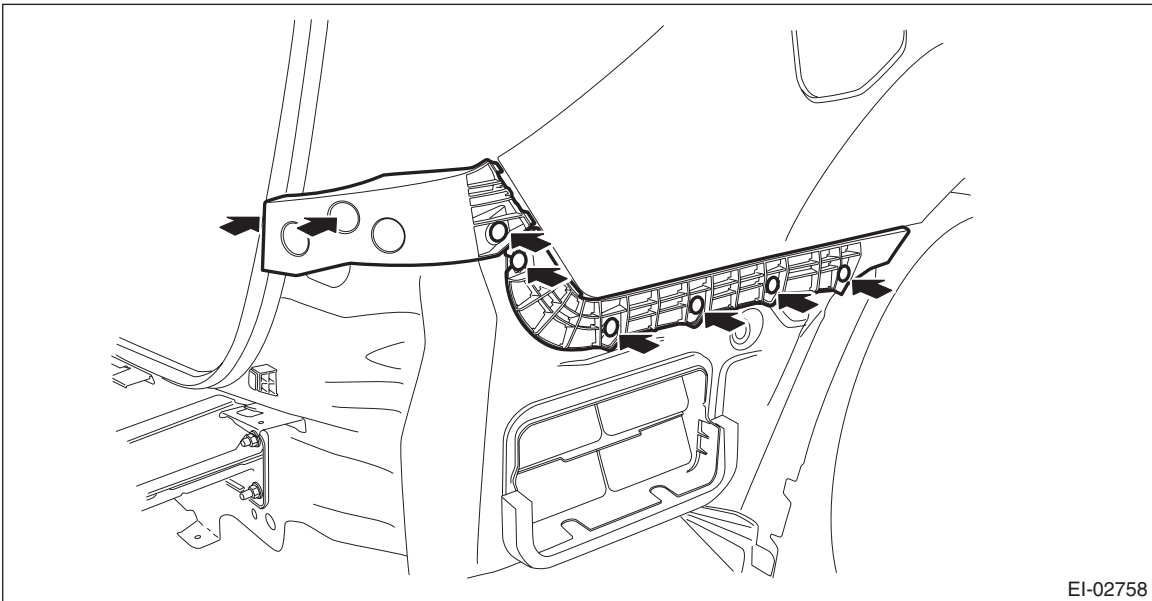
# Rear Bumper

4) Remove bumper brackets.

- Sedan model



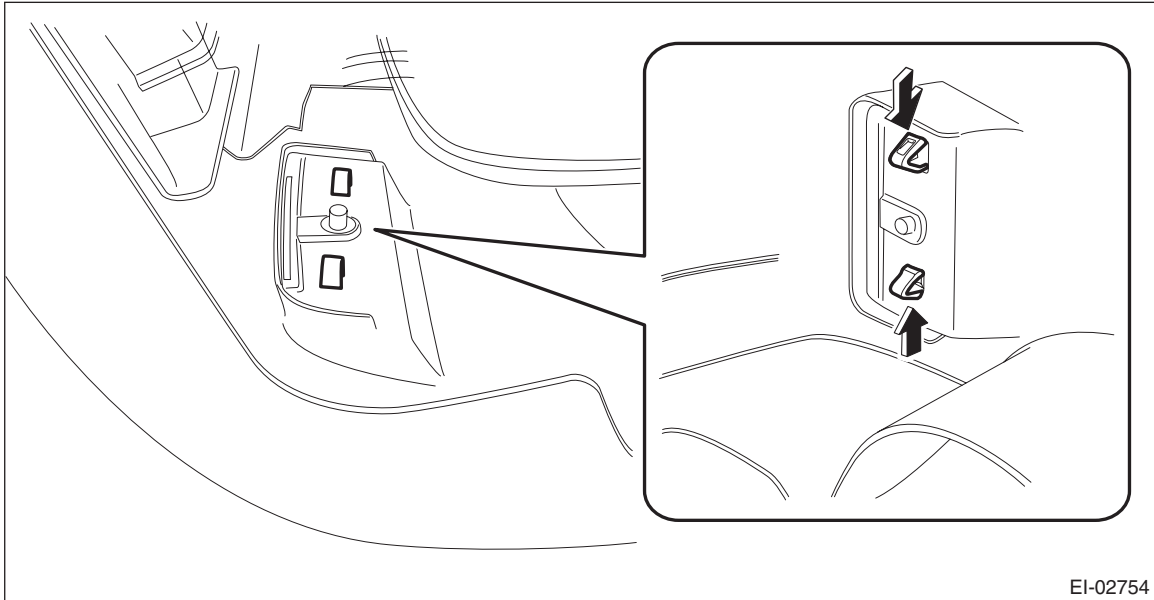
- OUTBACK model



## Rear Bumper

### EXTERIOR/INTERIOR TRIM

5) Remove the reflex reflector. (OUTBACK model)



- (1) Press the claws of reflex reflector from the back of the bumper face.
- (2) Remove the reflex reflector.

## B: INSTALLATION

### CAUTION:

Before installing the bumper face, match the claws on the bracket - rear bumper with the engaging position of flange section on the bumper face side. If the engaging position is not correct, the flange section may be broken or the clearance between fender panel and bumper face may not be uniform. Install each part in the reverse order of removal.

### NOTE:

If the bumper face comes off too easily, adjust the hook of the bracket side.

### Tightening torque:

**Beam COMPL rear ASSY:** <Ref. to EI-5, REAR BUMPER, COMPONENT, General Description.>

**Rear combination light assembly:** 7.5 N·m (0.76 kgf-m, 5.5 ft-lb)

## C: REPAIR

Refer to the front bumper repair. <Ref. to EI-43, REPAIR, Front Bumper.>