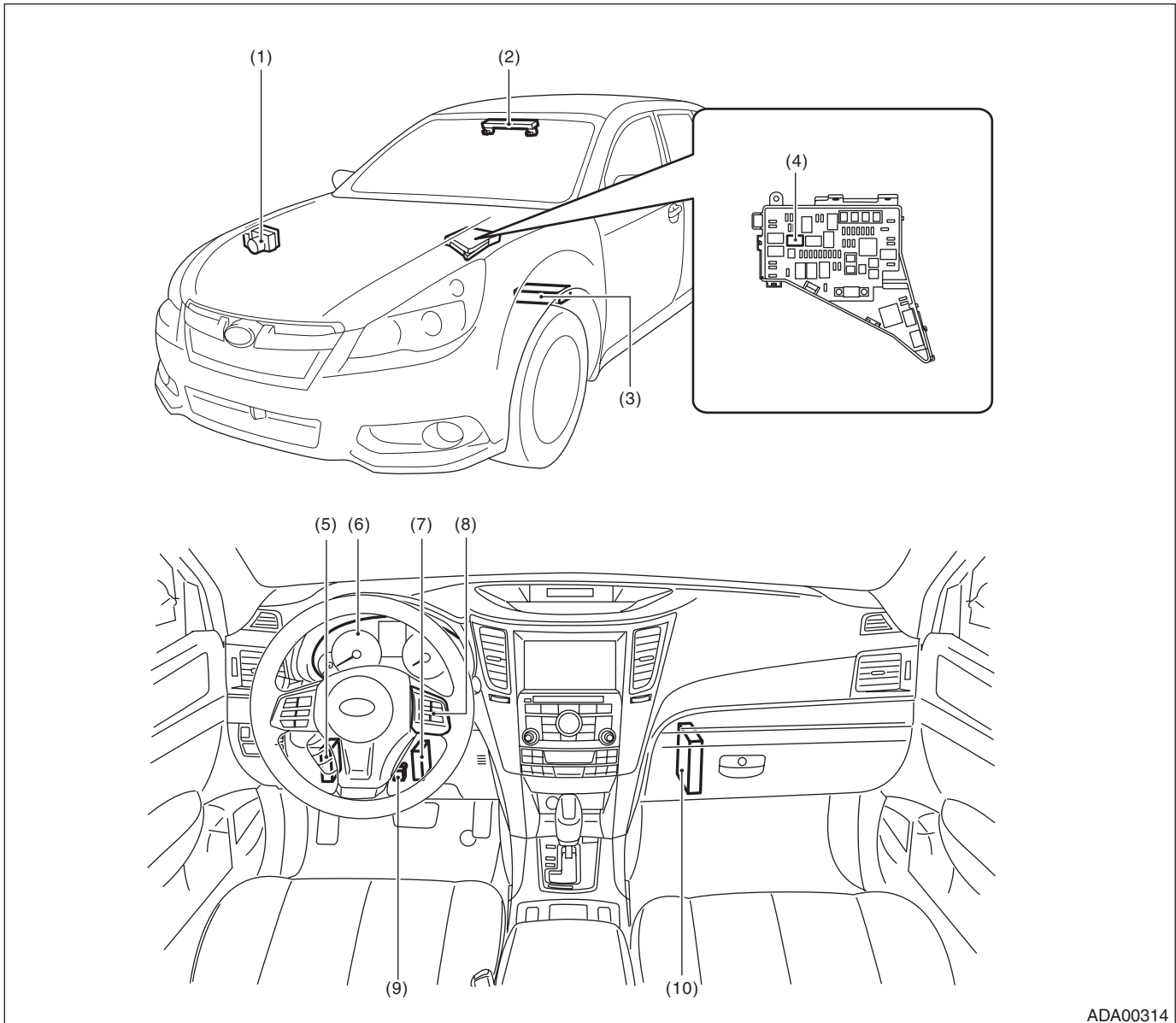


Electrical Component Location

EyeSight (DIAGNOSTICS)

4. Electrical Component Location

A: LOCATION

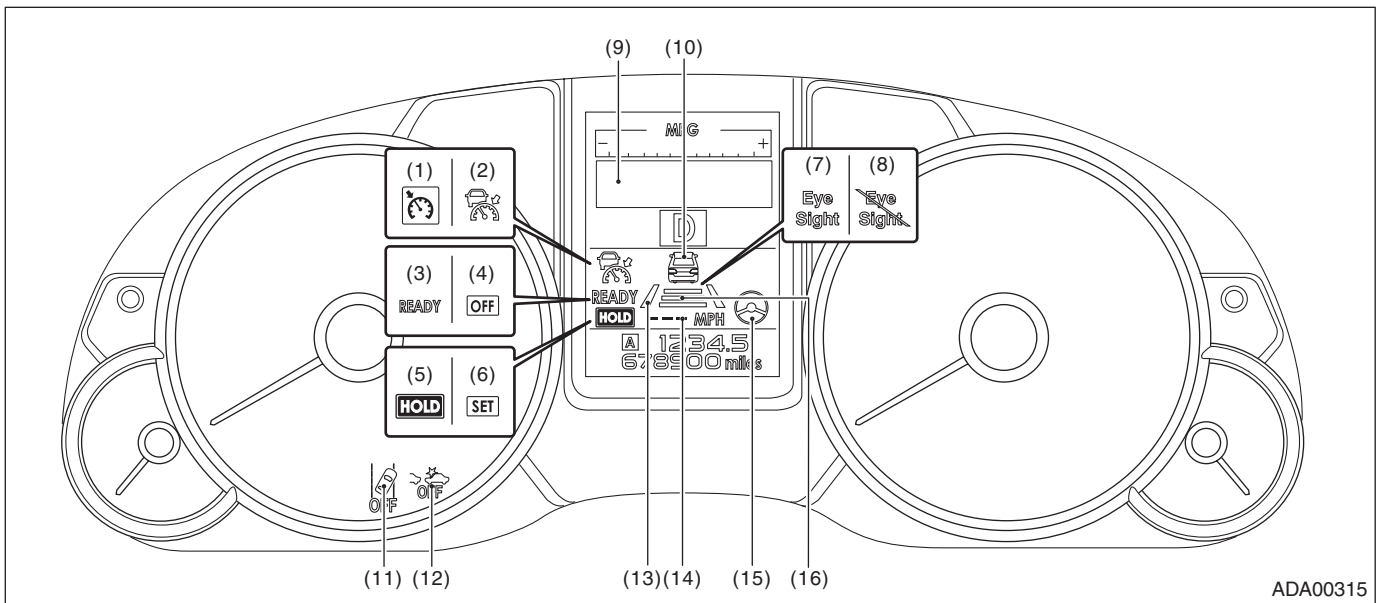


ADA00314

- | | | |
|---|---------------------------------------|-----------------------------------|
| (1) VDC control module (VDC CM) | (5) Transmission control module (TCM) | (8) Cruise control command switch |
| (2) Stereo camera | (6) Combination meter | (9) Stop light and brake switch |
| (3) Parking brake control module (EPB CM) | (7) Body integrated unit | (10) Engine control module (ECM) |
| (4) Brake light relay | | |

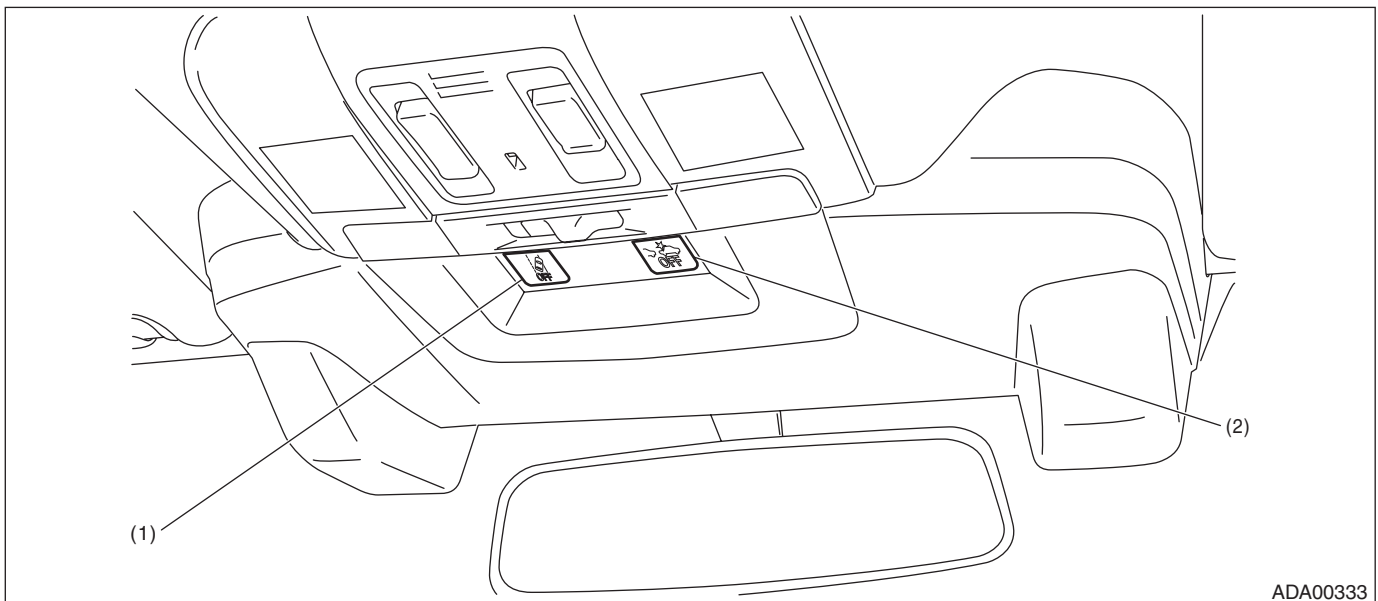
Electrical Component Location

EyeSight (DIAGNOSTICS)



ADA00315

- | | | |
|-----------------------------------|---|--|
| (1) Conventional CRUISE indicator | (7) EyeSight warning indicator | (12) Pre-collision brake OFF indicator light |
| (2) Adaptive CRUISE indicator | (8) EyeSight temporary stop indicator | (13) Lane indicator |
| (3) READY indicator | (9) Message display area | (14) Set vehicle speed display |
| (4) OFF indicator | (10) Preceding vehicle indicator | (15) Steering wheel indicator |
| (5) HOLD indicator | (11) Lane departure warning OFF indicator light | (16) Following distance setting indicator |
| (6) SET indicator | | |

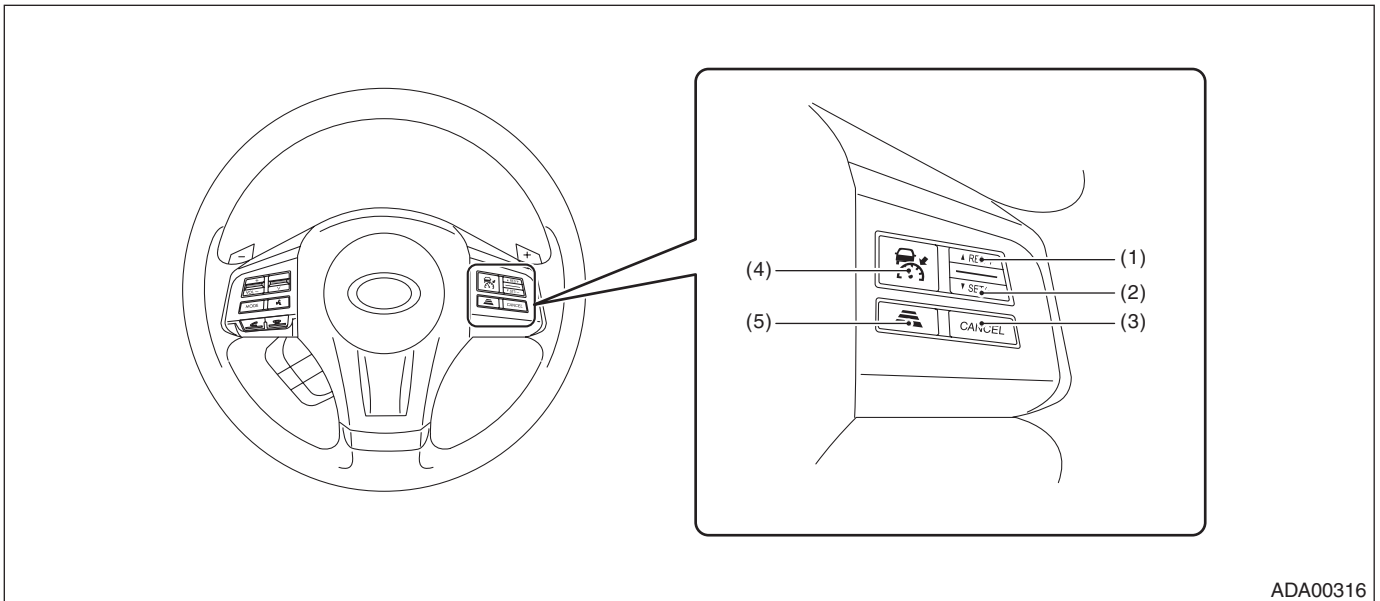


ADA00333

- | | |
|---------------------------------------|------------------------------------|
| (1) Lane departure warning OFF switch | (2) Pre-collision brake OFF switch |
|---------------------------------------|------------------------------------|

Electrical Component Location

EyeSight (DIAGNOSTICS)



ADA00316

(1) RES/+ (Resume/+) switch

(3) CANCEL switch

(5) Following distance setting switch

(2) SET/- (Set/-) switch

(4) CRUISE switch