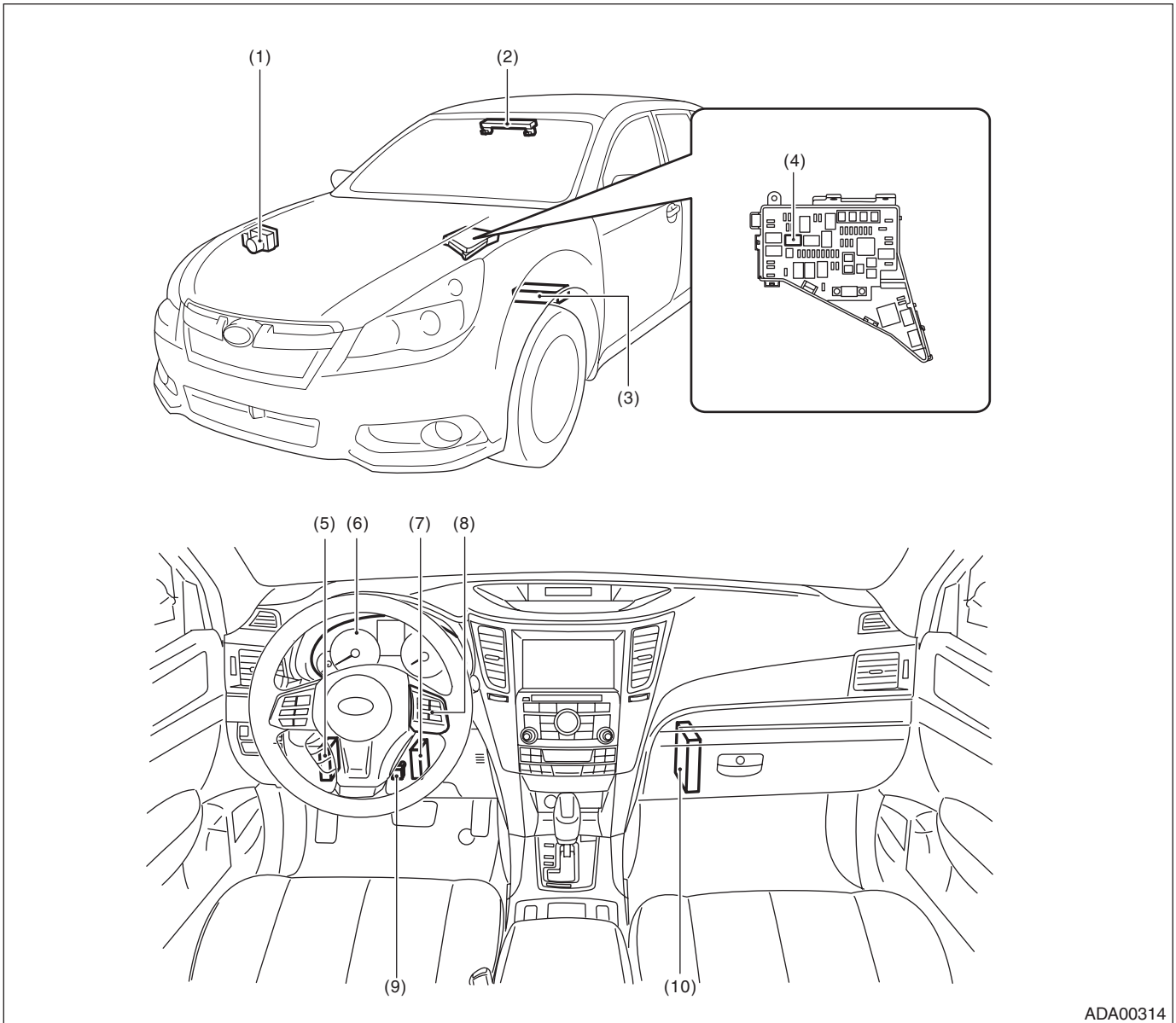


# General Description

EyeSight

## 1. General Description

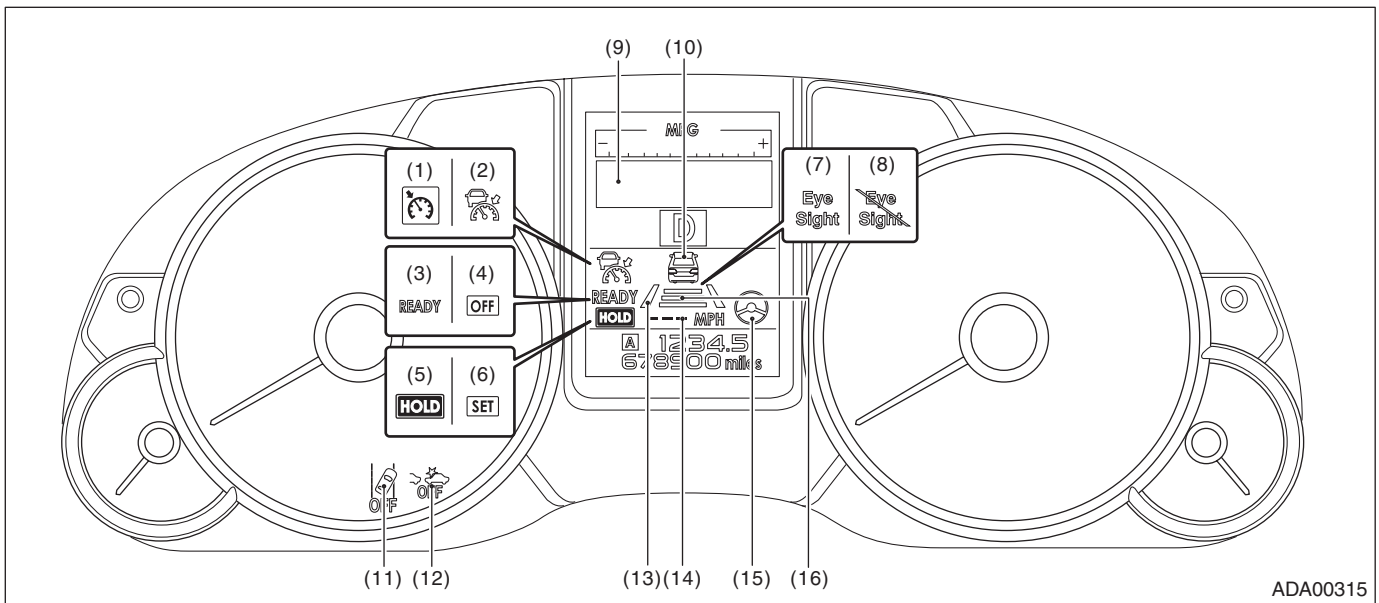
### A: COMPONENT



ADA00314

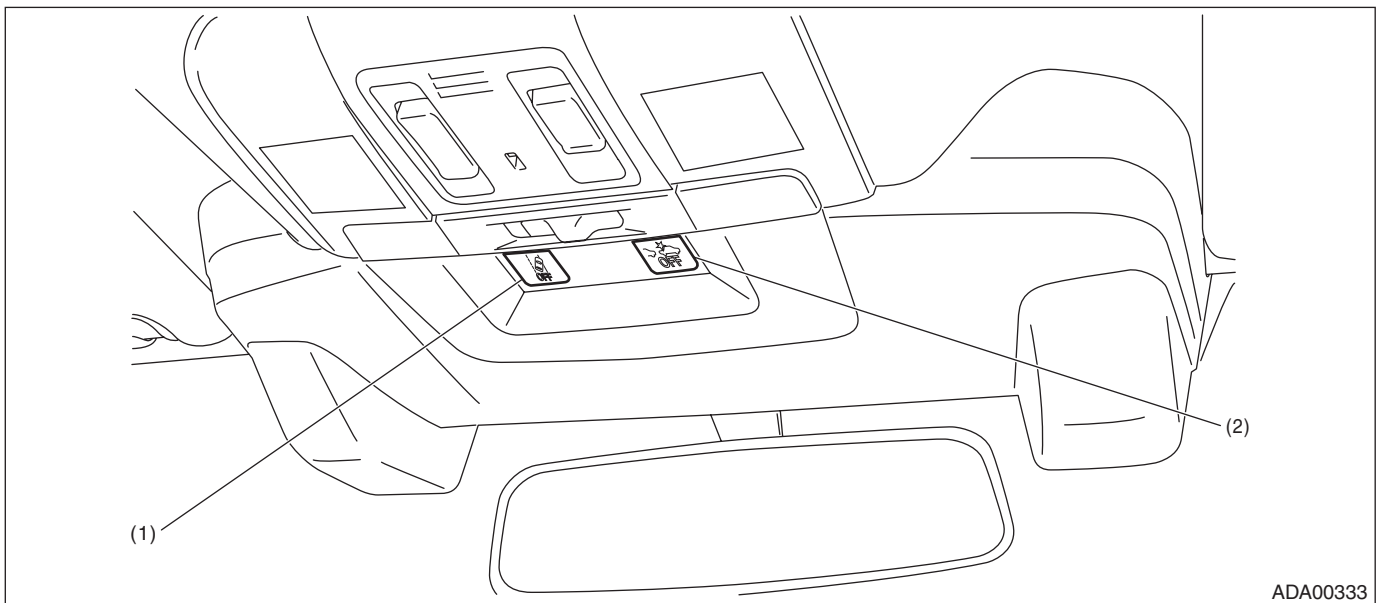
- |                                           |                                       |                                   |
|-------------------------------------------|---------------------------------------|-----------------------------------|
| (1) VDC control module (VDC CM)           | (5) Transmission control module (TCM) | (8) Cruise control command switch |
| (2) Stereo camera                         | (6) Combination meter                 | (9) Stop light and brake switch   |
| (3) Parking brake control module (EPB CM) | (7) Body integrated unit              | (10) Engine control module (ECM)  |
| (4) Brake light relay                     |                                       |                                   |

# General Description



ADA00315

- |                                   |                                                 |                                              |
|-----------------------------------|-------------------------------------------------|----------------------------------------------|
| (1) Conventional CRUISE indicator | (7) EyeSight warning indicator                  | (12) Pre-collision brake OFF indicator light |
| (2) Adaptive CRUISE indicator     | (8) EyeSight temporary stop indicator           | (13) Lane indicator                          |
| (3) READY indicator               | (9) Message display area                        | (14) Set vehicle speed display               |
| (4) OFF indicator                 | (10) Preceding vehicle indicator                | (15) Steering wheel indicator                |
| (5) HOLD indicator                | (11) Lane departure warning OFF indicator light | (16) Following distance setting indicator    |
| (6) SET indicator                 |                                                 |                                              |

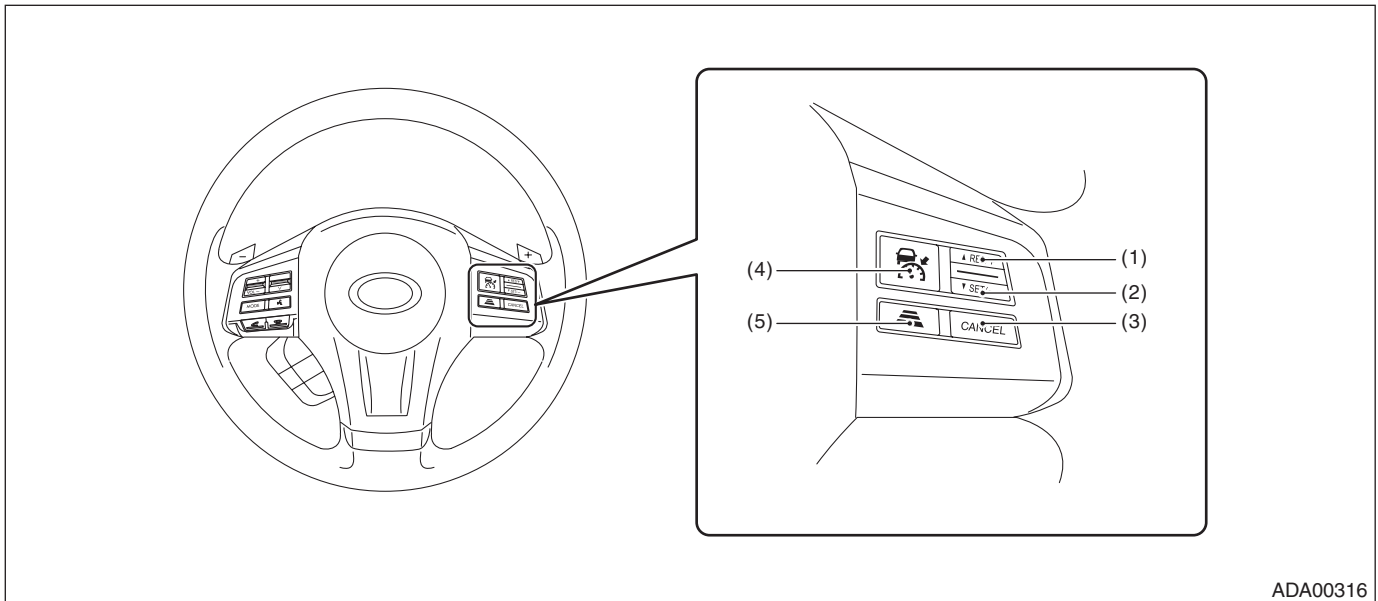


ADA00333

- |                                       |                                    |
|---------------------------------------|------------------------------------|
| (1) Lane departure warning OFF switch | (2) Pre-collision brake OFF switch |
|---------------------------------------|------------------------------------|

# General Description

EyeSight



ADA00316

- |                             |                   |                                       |
|-----------------------------|-------------------|---------------------------------------|
| (1) RES/+ (Resume/+) switch | (3) CANCEL switch | (5) Following distance setting switch |
| (2) SET/- (Set/-) switch    | (4) CRUISE switch |                                       |

## B: CAUTION

- Before disassembling or reassembling parts, always disconnect the battery ground cable from battery. When replacing the audio, control module and other parts provided with memory functions, record the memory contents before disconnecting the battery ground cable. Otherwise, the memory is cleared.
  - Reassemble the parts in the reverse order of disassembly procedure unless otherwise indicated.
  - Adjust parts to the given specifications.
  - Connect the connectors securely during reassembly.
  - After reassembly, make sure that the functional parts operate normally.
  - Yellow connectors and harnesses with yellow tapes around them are the connectors and harnesses for the airbag system. Using a tester above such circuits may cause malfunction of airbag system. Follow the cautions for the airbag system in this case. <Ref. to AB-10, CAUTION, General Description.>
  - Be careful not to damage the airbag system wiring harness when servicing electrical parts and switches.
  - If the steering wheel and steering angle sensor (steering roll connector) are removed, adjust the steering angle sensor. <Ref. to VDC-20, ADJUSTMENT, VDC Control Module and Hydraulic Control Unit (VDC-CM&H/U).>
  - If the damage is found in the glass repair prohibited area, always replace the glass. <Ref. to ES(diag)-8, WINDSHIELD GLASS AND DASHBOARD, INSPECTION, General Description.>
- Damage in the prohibited area can affect the recognition of the stereo camera even if it is repaired, and thereby EyeSight function may not operate properly.

## C: PREPARATION TOOL

### 1. GENERAL TOOL

TOOL NAME	REMARKS
Circuit tester	Used for measuring resistance and voltage.
Protective tape (masking tape, etc.)	Used for removing and installing stereo camera cover assembly.
Steering wheel puller	Used for removing the steering wheel.