

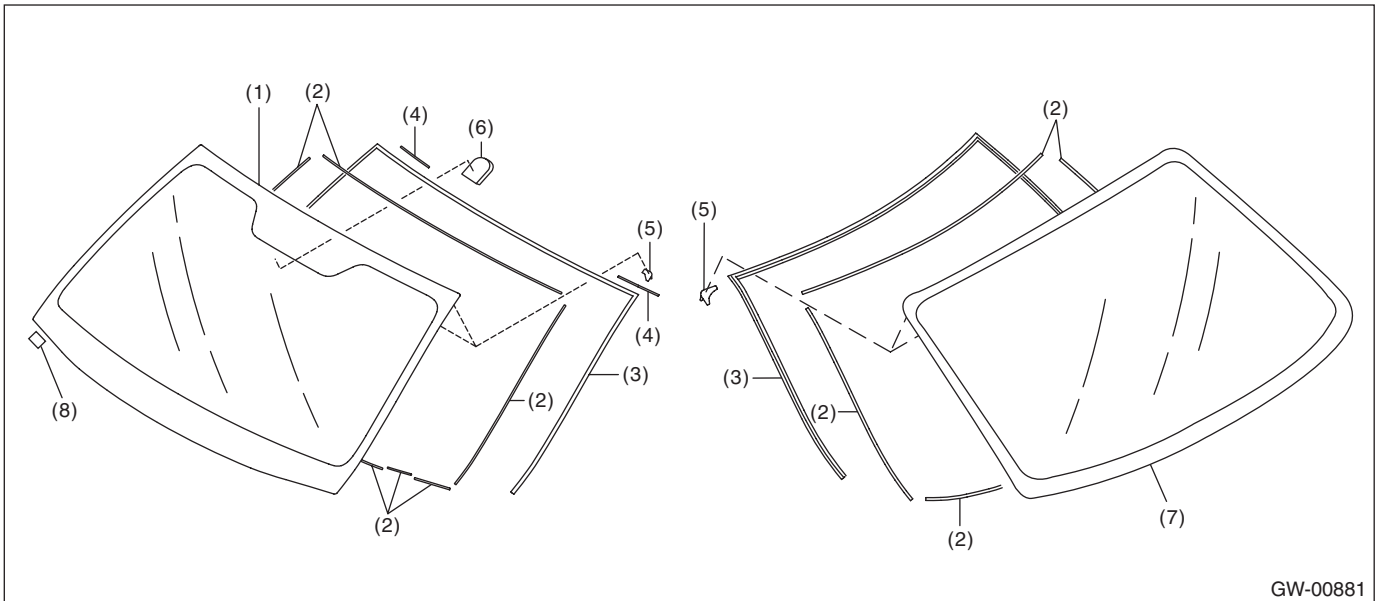
General Description

GLASS/WINDOWS/MIRRORS

1. General Description

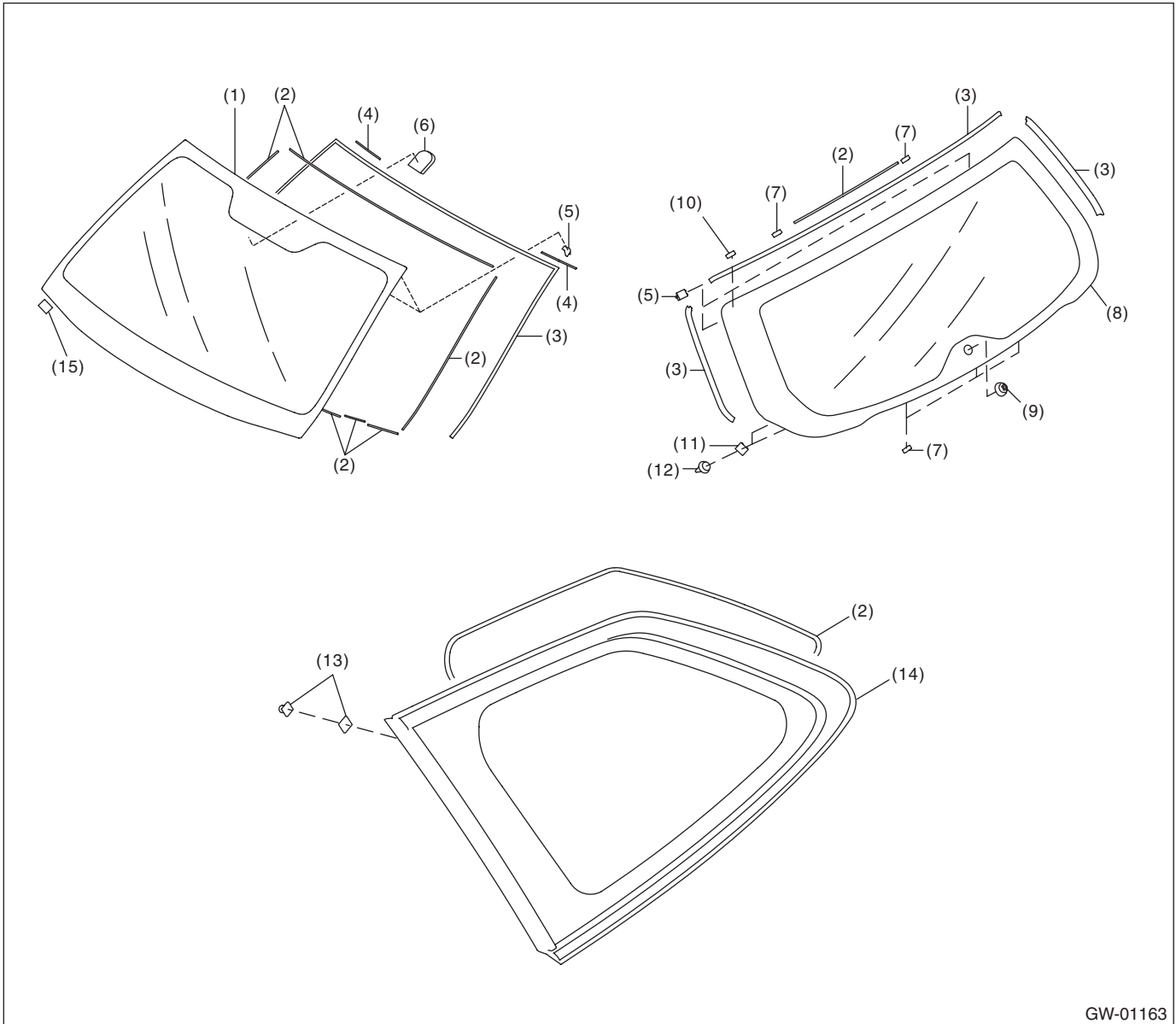
A: COMPONENT

1. FIXED GLASS (SEDAN MODEL)



- | | | |
|----------------------|---------------------------|-----------------------|
| (1) Windshield glass | (4) Seal upper side | (7) Rear window glass |
| (2) Dam rubber | (5) Locating pin | (8) Seal A |
| (3) Molding | (6) Rearview mirror mount | |

2. FIXED GLASS (OUTBACK MODEL)



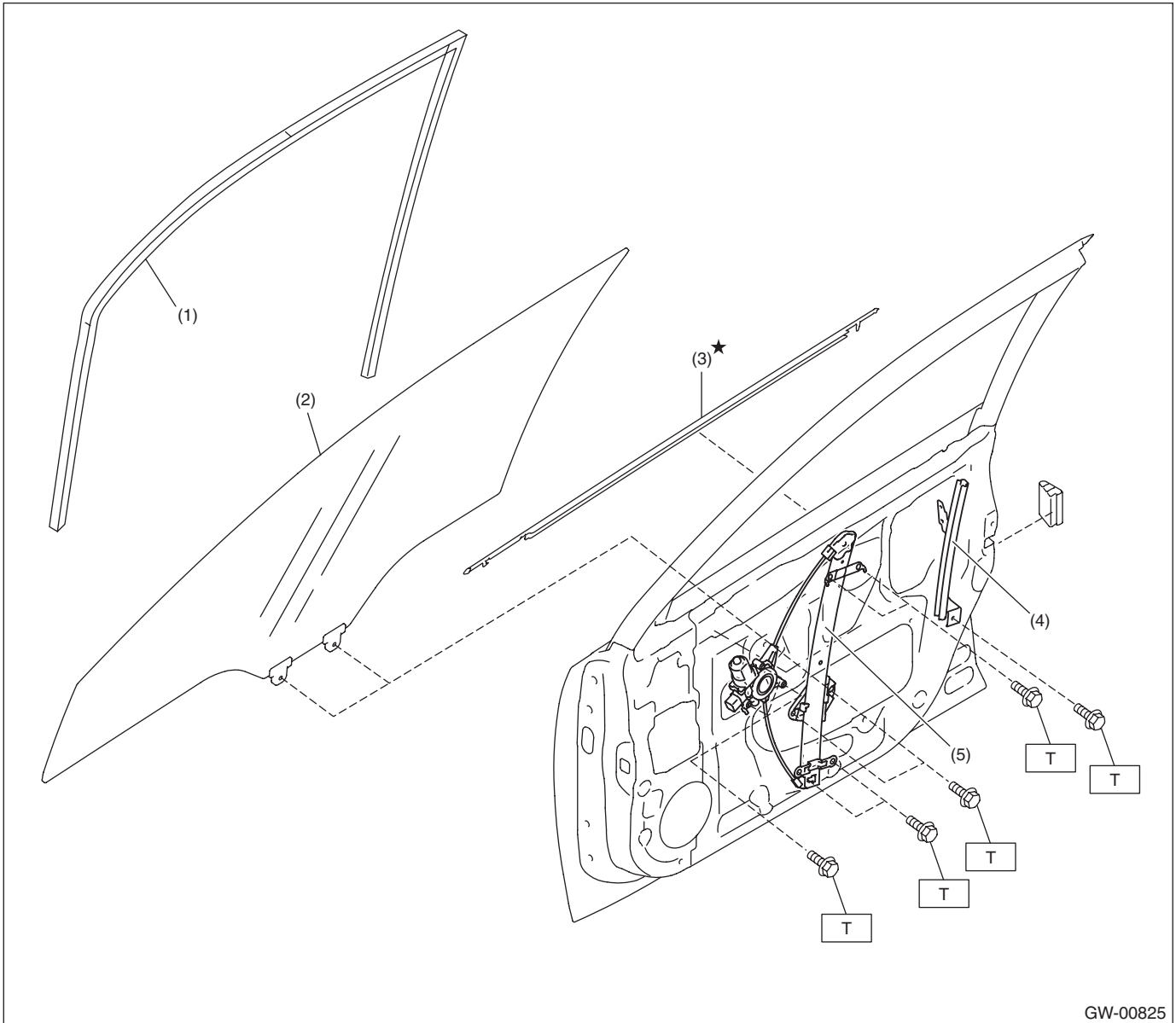
GW-01163

- | | | |
|----------------------|---------------------------|-------------------------|
| (1) Windshield glass | (6) Rearview mirror mount | (11) Holder |
| (2) Dam rubber | (7) Spacer | (12) Clip |
| (3) Molding | (8) Rear gate glass | (13) Fastener |
| (4) Seal upper side | (9) Pivot | (14) Rear quarter glass |
| (5) Locating pin | (10) EPT sealer | (15) Seal A |

General Description

GLASS/WINDOWS/MIRRORS

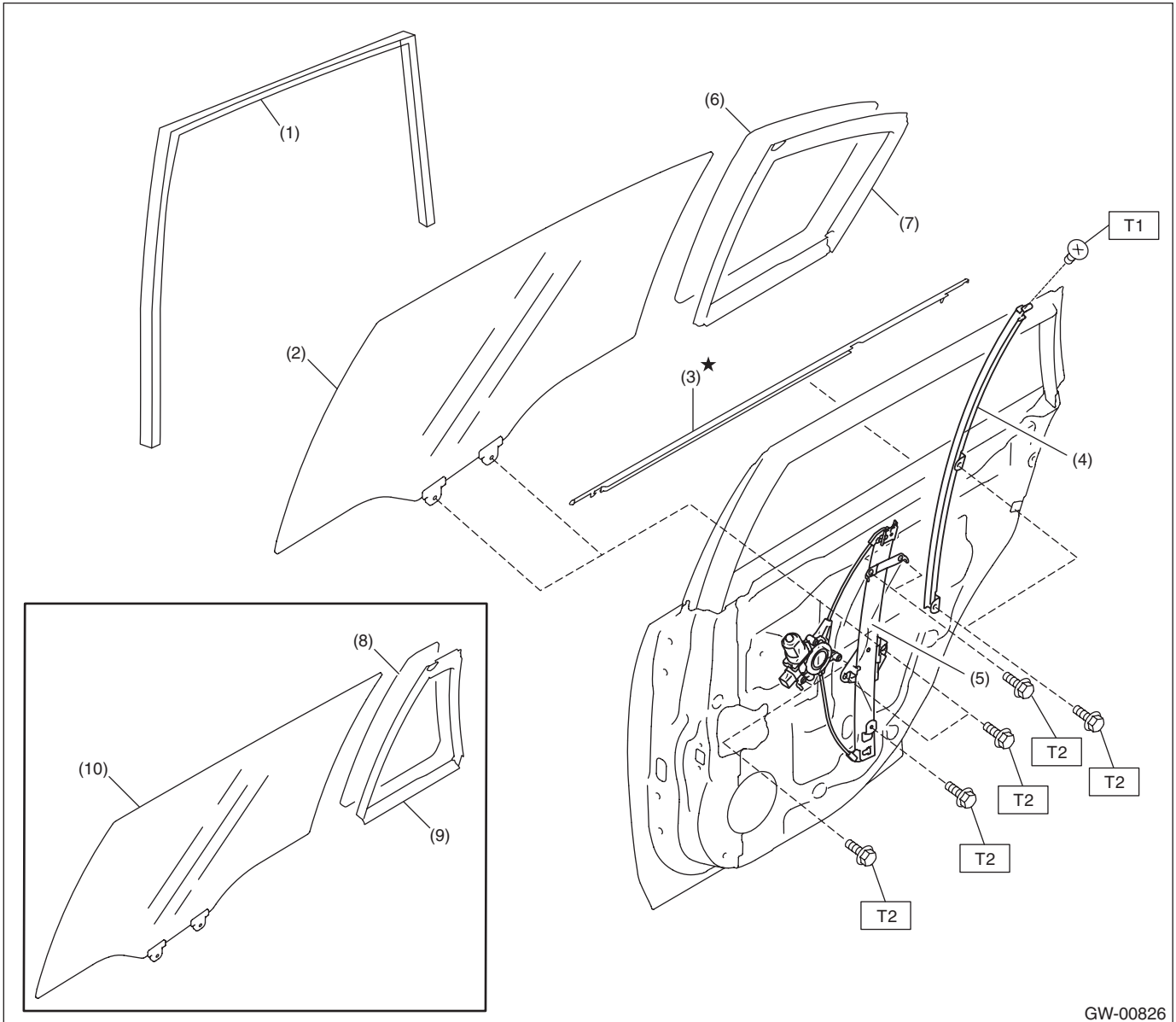
3. FRONT DOOR GLASS



- (1) Glass run rubber
- (2) Front door glass
- (3) Weather strip outer
- (4) Door sash
- (5) Regulator and motor ASSY

Tightening torque: N·m (kgf·m, ft·lb)
T: 7.5 (0.76, 5.5)

4. REAR DOOR GLASS



GW-00826

- | | |
|-----------------------------------|---------------------------------------|
| (1) Glass run rubber | (6) Partition glass (sedan model) |
| (2) Rear door glass (sedan model) | (7) Partition molding (sedan model) |
| (3) Weather strip outer | (8) Partition glass (OUTBACK model) |
| (4) Door sash | (9) Partition molding (OUTBACK model) |
| (5) Regulator and motor ASSY | (10) Rear door glass (OUTBACK model) |

Tightening torque: N·m (kgf·m, ft·lb)

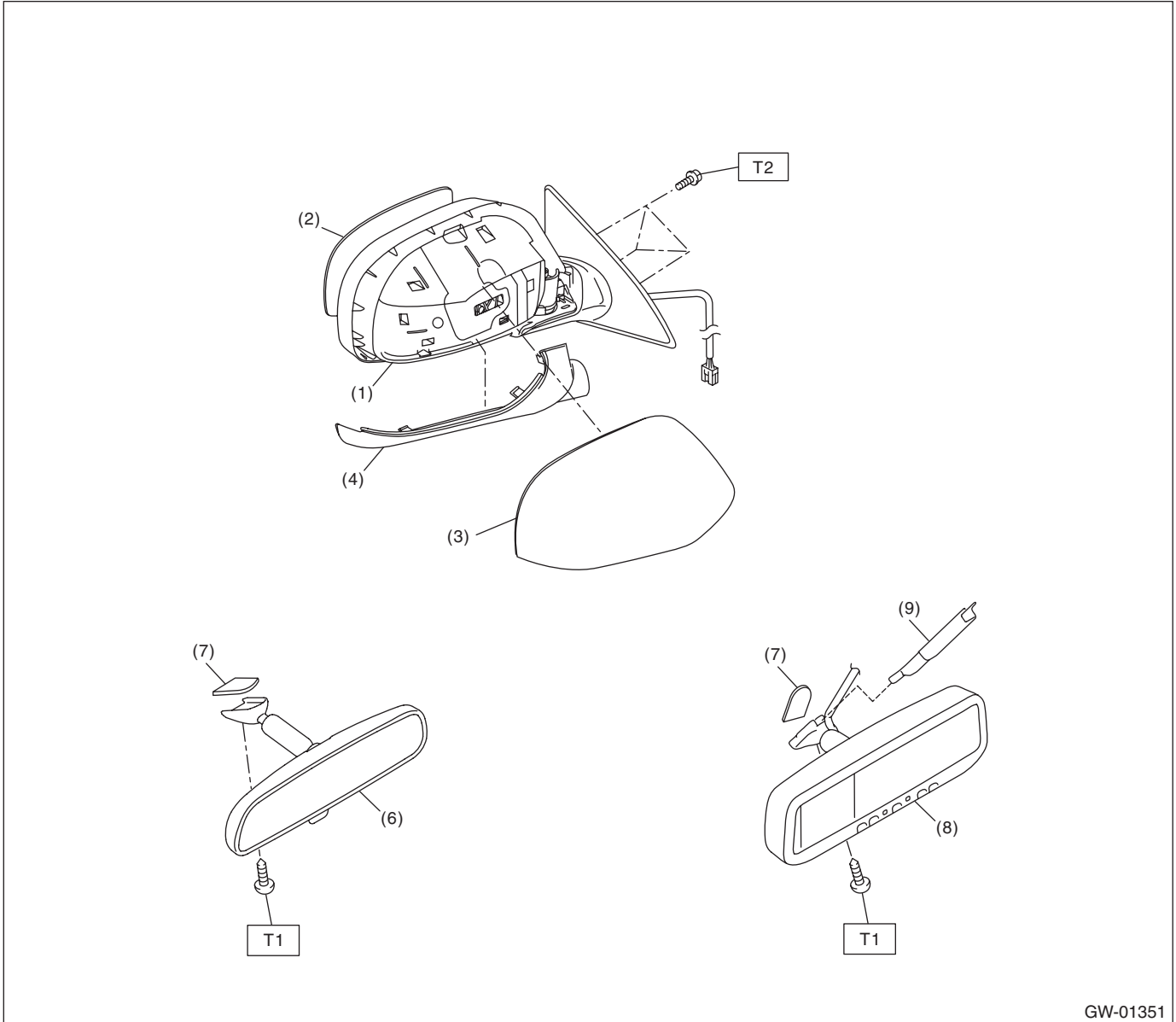
T1: 2.2 (0.22, 1.6)

T2: 7.5 (0.76, 5.5)

General Description

GLASS/WINDOWS/MIRRORS

5. MIRROR



GW-01351

- | | |
|------------------------------|---------------------------------|
| (1) Outer mirror | (6) Rear view mirror |
| (2) Mirror | (7) Mount |
| (3) Scalp cap | (8) Rearview mirror (RCD model) |
| (4) Outer mirror lower cover | (9) Harness cover |
| (5) Side turn signal light | |

Tightening torque: N·m (kgf·m, ft·lb)

T1: 1.9 (0.19, 1.4)

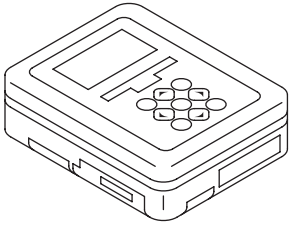
T2: 4.5 (0.46, 3.3)

B: CAUTION

- Before disassembling or reassembling parts, always disconnect the battery ground cable from battery. When replacing the audio, control module and other parts provided with memory functions, record the memory contents before disconnecting the battery ground cable. Otherwise, the memory is cleared.
- Avoid impact and damage to the glass.
- Reassemble the parts in the reverse order of disassembly procedure unless otherwise indicated.
- Connect the connectors securely during reassembly.
- After reassembly, make sure that the functional parts operate normally.

C: PREPARATION TOOL

1. SPECIAL TOOL

ILLUSTRATION	TOOL NUMBER	DESCRIPTION	REMARKS
 ST1B022XU0	1B022XU0	SUBARU SELECT MONITOR III KIT	Used for setting of each function and troubleshooting for electrical system.

2. GENERAL TOOL

TOOL NAME	REMARKS
Circuit tester	Used for measuring resistance and voltage.
Piano wire	Used for removing the window glass.
Cutter knife	Used for removing the window glass.
Windshield glass knife	Used for removing the window glass.
TORX® T20	Used to remove and install the rearview mirror.