

Rearview Mirror

GLASS/WINDOWS/MIRRORS

17.Rearview Mirror

A: REMOVAL

1. NORMAL MIRROR TYPE

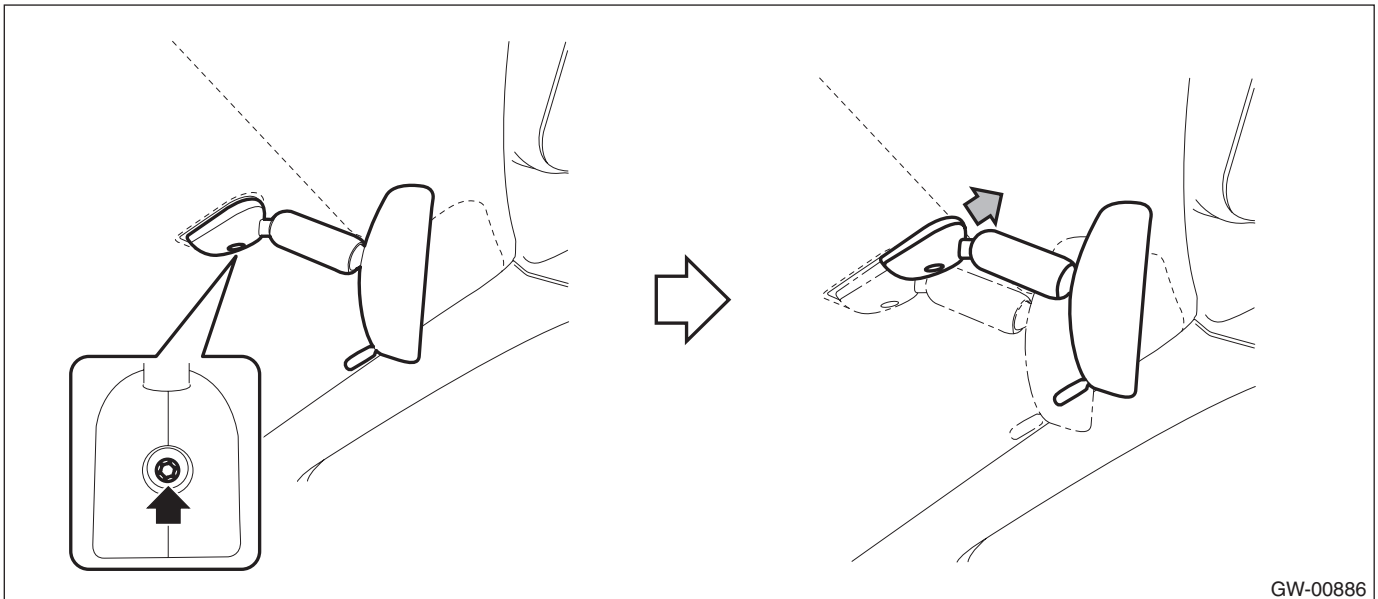
CAUTION:

Be careful not to damage the mirror surface and windshield glass.

1) Remove the TORX® bolt, and then slide the rear view mirror to remove.

Preparation tool:

TORX® T20



2) If the mirror mounting is damaged, replace the windshield glass.

2. HOME LINK TYPE

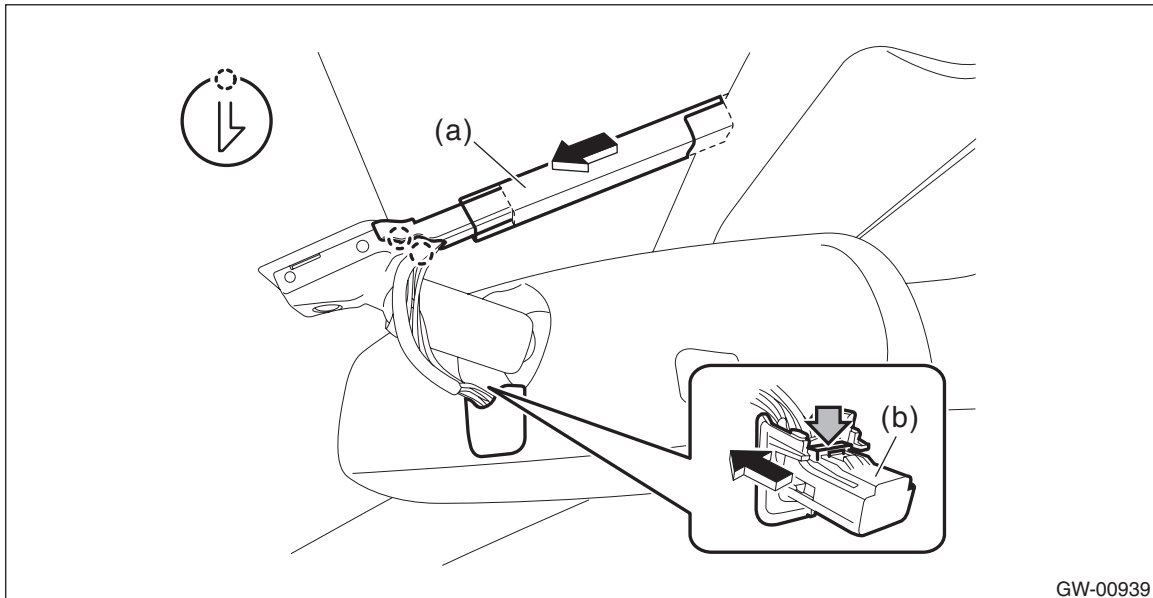
CAUTION:

Be careful not to damage the mirror surface and windshield glass.

- 1) Disconnect the ground cable from battery.
- 2) Remove the rearview mirror.
 - (1) Slide the upper section of the cover, and release the claws in the lower section, then remove the harness cover (a).
 - (2) Disconnect the rearview mirror connector (b).

CAUTION:

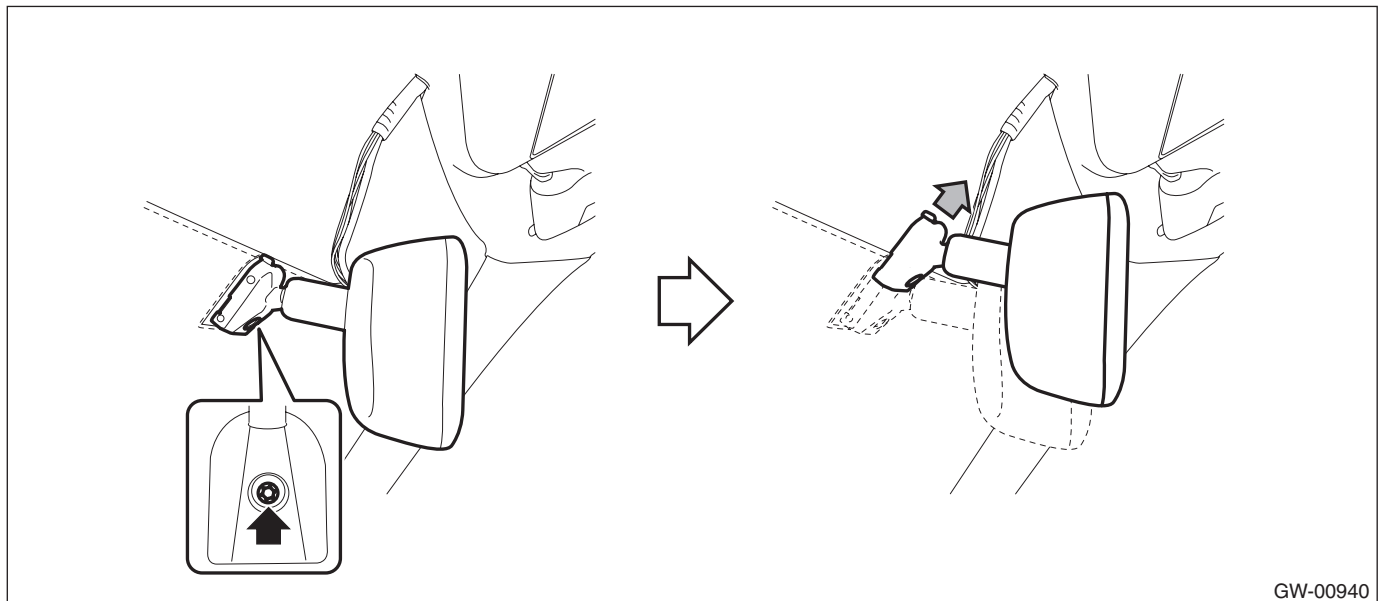
Be careful not to pull the harness.



- (3) Remove the TORX[®] bolt, and then slide the rear view mirror to remove.

Preparation tool:

TORX[®] T20



- 3) If the mirror mounting is damaged, replace the windshield glass.

Rearview Mirror

GLASS/WINDOWS/MIRRORS

B: INSTALLATION

CAUTION:

When tightening the mounting TORX[®] screw, be sure to observe the tightening torque. Otherwise, the mount may be damaged in over-torque conditions.

Install each part in the reverse order of removal.

Tightening torque:

Refer to “COMPONENT” of “General Description”. <Ref. to GW-6, MIRROR, COMPONENT, General Description.>

C: INSPECTION

Check the mirror and mirror mount for damage.