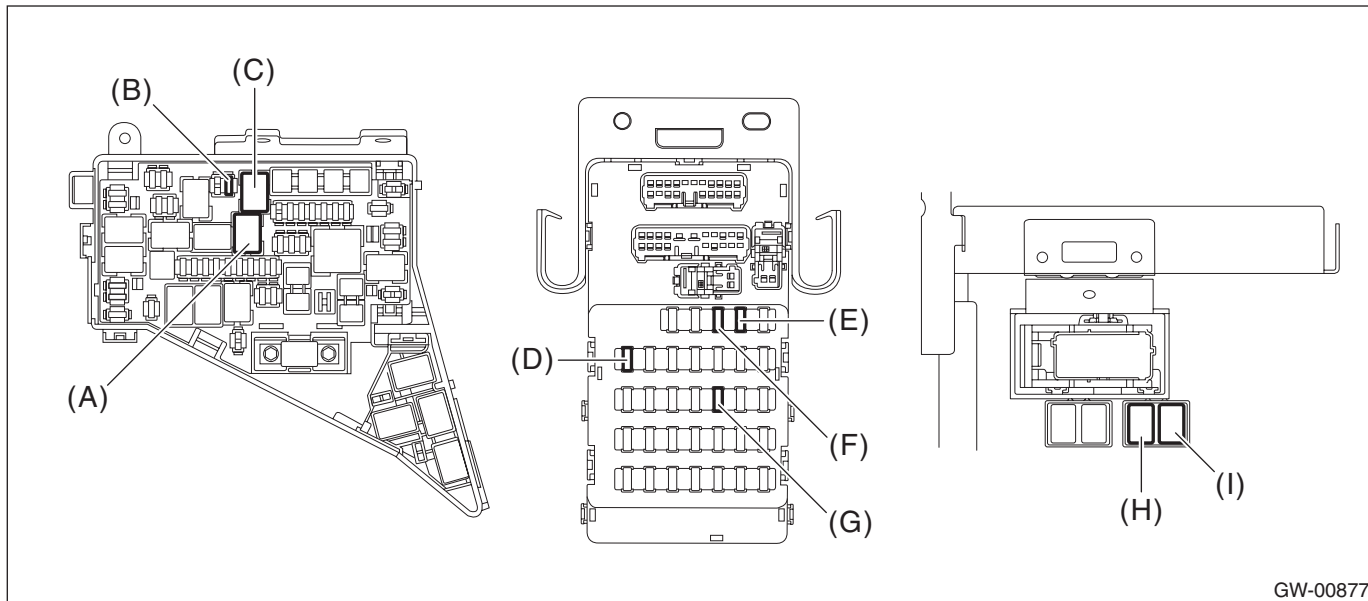


Relay and Fuse

GLASS/WINDOWS/MIRRORS

2. Relay and Fuse

A: LOCATION



GW-00877

Main fuse box	Power window relay	(A)
	Fuse 25A (rear defogger)	(B)
	Rear defogger relay	(C)
Relay & fuse box	Fuse 7.5A (remote control mirror)	(D)
	Fuse 7.5A (wiper deicer)	(E)
	Fuse 20A (power window)	(F)
	Fuse 15A (wiper deicer, remote control mirror)	(G)
Relay holder	Wiper deicer relay	(H)
	Mirror heater relay	(I)

NOTE:

For other related fuses, refer to the wiring diagram. <Ref. to WI-15, Power Supply Circuit.>

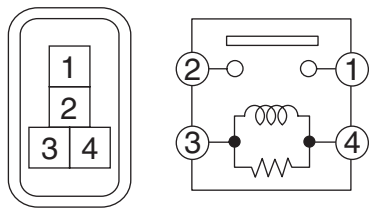
B: INSPECTION

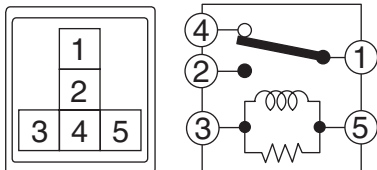
1. CHECK FUSE

- 1) Remove the fuse and check visually.
- 2) If the fuse is blown out, replace the fuse.

2. CHECK RELAY

- 1) Check the resistance between relay terminals.

Terminal No.	Inspection conditions	Specification	Circuit
1 — 2	Always	1 MΩ or more	 <p style="text-align: right; margin-top: 5px;">SR-00180</p>
1 — 2	Apply battery voltage between 4 — 3 terminals.	Less than 1 Ω	

Terminal No.	Inspection conditions	Specification	Circuit
1 — 2	Always	1 MΩ or more	 <p style="text-align: right; margin-top: 5px;">SL-01085</p>
1 — 4	Always	Less than 1 Ω	
1 — 2	Apply battery voltage between 3 — 5 terminals.	Less than 1 Ω	

- 2) Replace the relay if the inspection result is not within the standard value.