

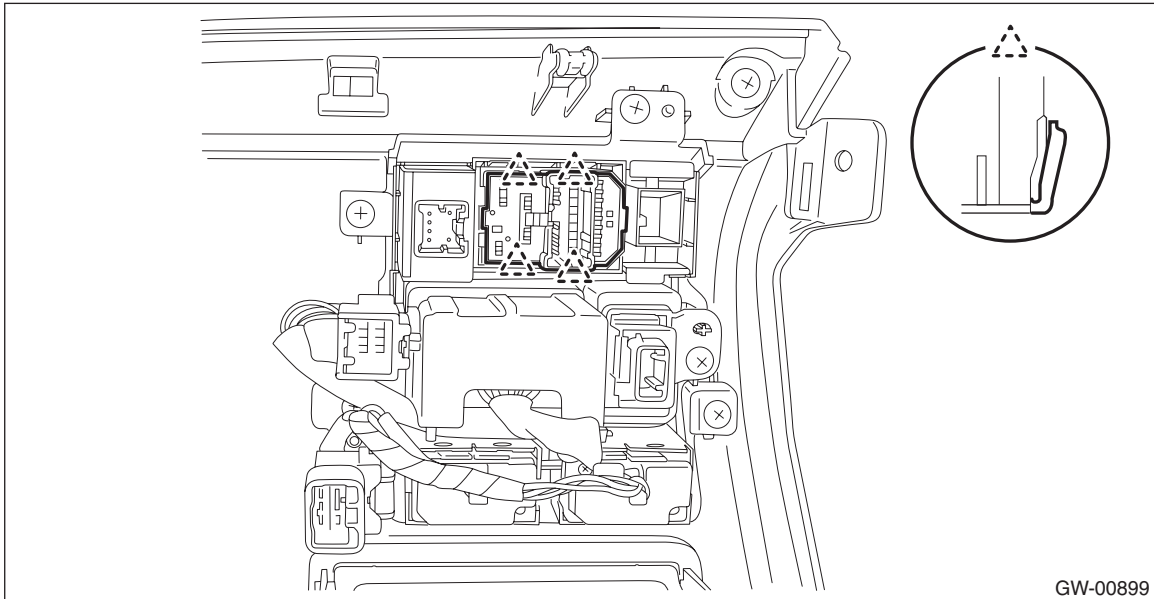
Remote Control Mirror Switch

GLASS/WINDOWS/MIRRORS

9. Remote Control Mirror Switch

A: REMOVAL

- 1) Remove the instrument panel lower cover. <Ref. to EI-63, REMOVAL, Instrument Panel Lower Cover.>
- 2) Disconnect the claws and then remove the remote control mirror switch.



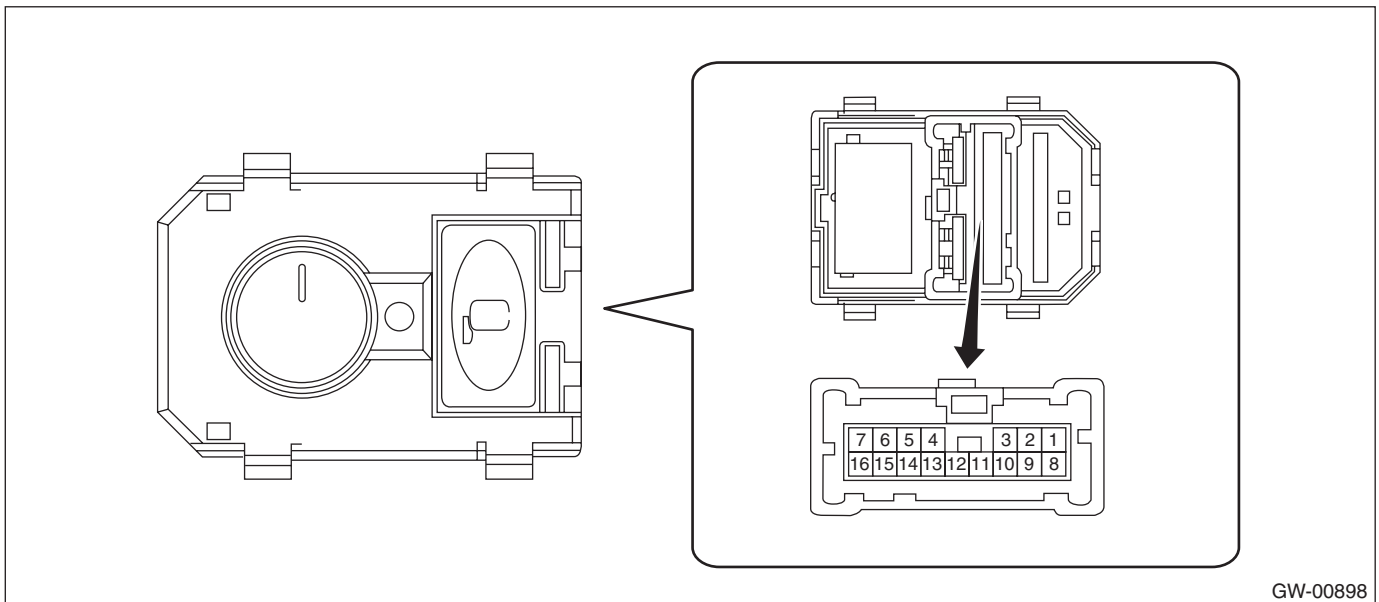
B: INSTALLATION

Install each part in the reverse order of removal.

C: INSPECTION

- 1) Disconnect the remote control mirror switch connector.
- 2) Check the resistance between remote control mirror switch terminals.

Preparation tool:
Circuit tester



Remote Control Mirror Switch

GLASS/WINDOWS/MIRRORS

- Changeover switch RH

Terminal No.	Inspection conditions	Standard
1 — 10 1 — 11 1 — 12 7 — 9 7 — 11 7 — 12	OFF	1 MΩ or more
1 — 12 11 — 7	UP	Less than 1 Ω
1 — 11 12 — 7	DOWN	Less than 1 Ω
1 — 9 12 — 7	LEFT	Less than 1 Ω
1 — 12 9 — 7	RIGHT	Less than 1 Ω

- Changeover switch LH

Terminal No.	Inspection conditions	Standard
1 — 8 1 — 10 1 — 14 7 — 10 7 — 14 7 — 15	OFF	1 MΩ or more
1 — 14 10 — 7	UP	Less than 1 Ω
1 — 10 14 — 7	DOWN	Less than 1 Ω
1 — 8 14 — 7	LEFT	Less than 1 Ω
1 — 14 8 — 7	RIGHT	Less than 1 Ω

3) Replace the remote control mirror switch if the inspection result is not within the standard value.