

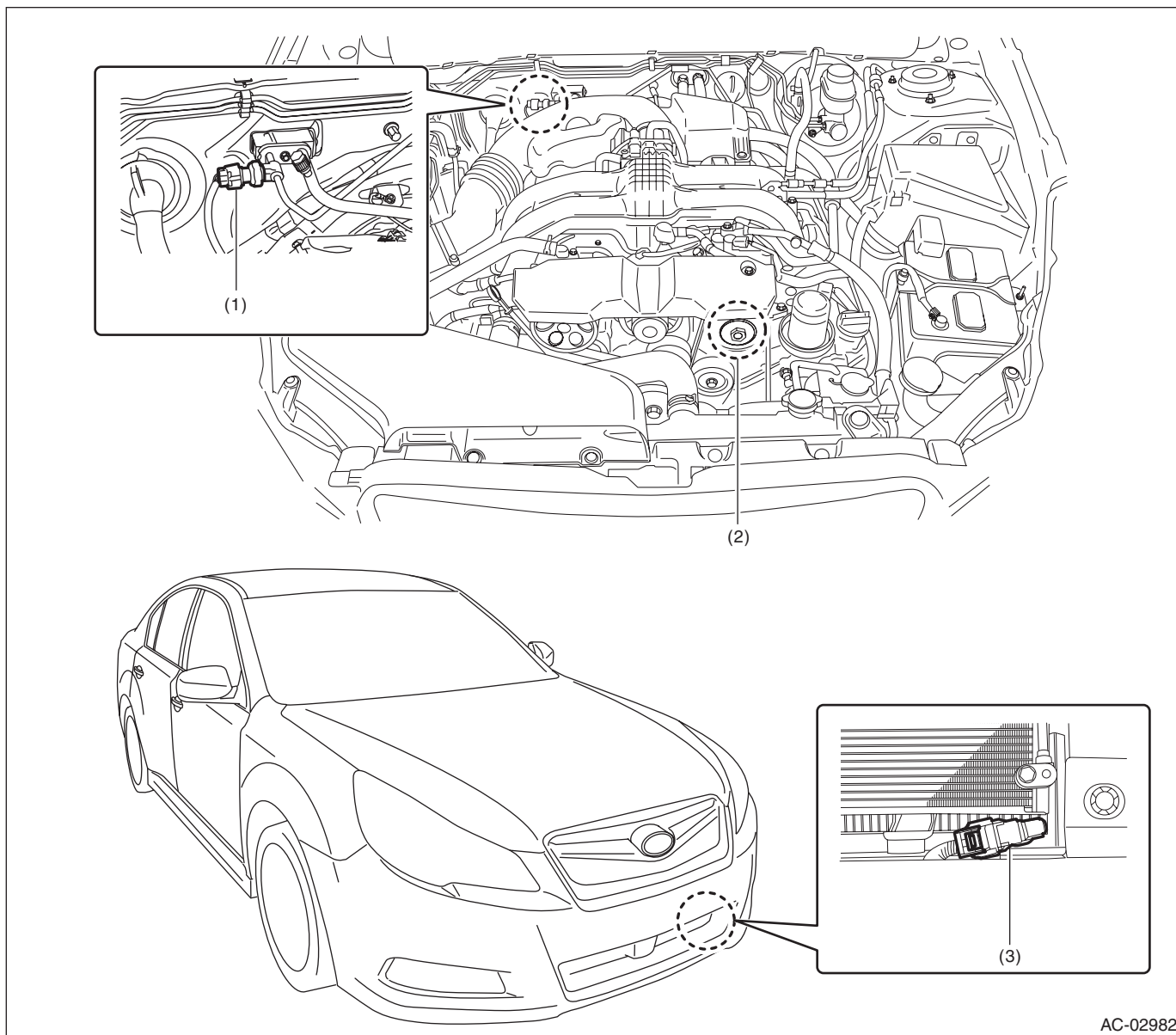
# Electrical Component Location

HVAC SYSTEM (DIAGNOSTICS)

## 3. Electrical Component Location

### A: LOCATION

#### 1. ENGINE COMPARTMENT



AC-02982

(1) Pressure sensor

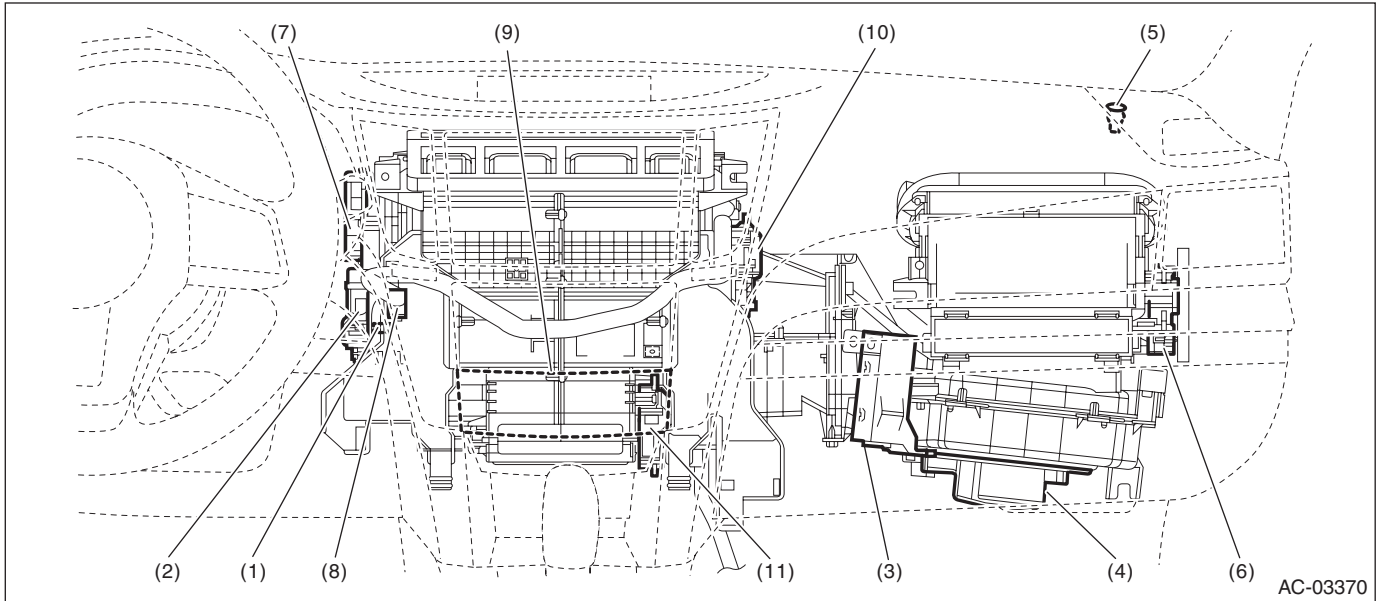
(2) A/C compressor  
(Refrigerant flow sensor, variable  
flow change solenoid)

(3) Ambient sensor

# Electrical Component Location

HVAC SYSTEM (DIAGNOSTICS)

## 2. COMPARTMENT



- |  |                          |   |
|--|--------------------------|---|
| (1) Evaporator sensor  | (5) Sunload sensor       | (9) A/C control panel                           |
| (2) Air mix door actuator*1 or air mix door actuator (driver's seat)*2 | (6) Intake door actuator | (10) Air mix door actuator (passenger's seat)*2 |
| (3) A/C CM   | (7) Mode door actuator   | (11) Rear vent actuator*3                       |
| (4) Blower motor   | (8) In-vehicle sensor    |   |

\*1: Manual A/C

\*2: Auto A/C

\*3: With rear seat A/C