

## 12. Steering Switch

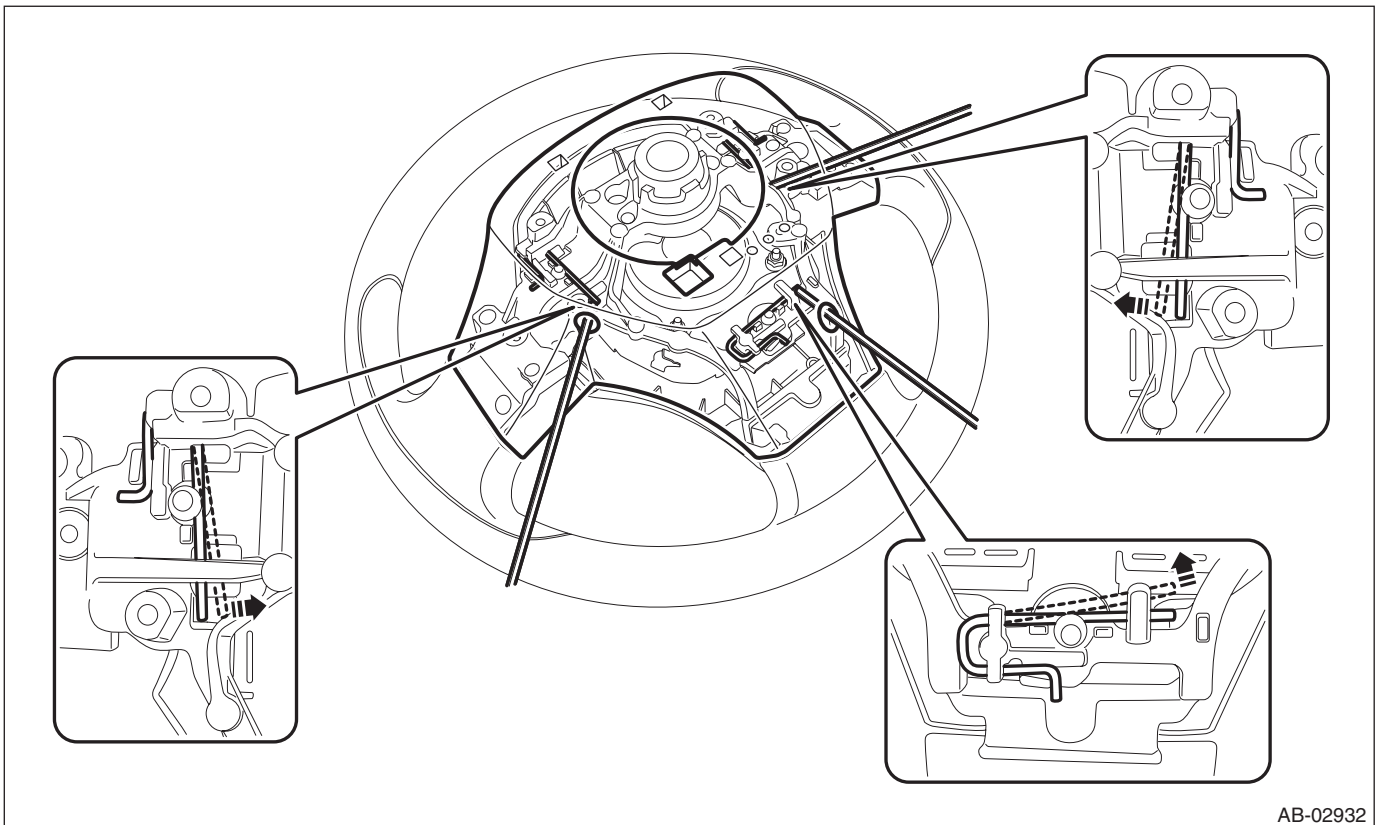
### A: REMOVAL

- 1) Position the front wheels straight ahead. (After moving a vehicle 5 m (16 ft) or more with front wheels positioned straight ahead, make sure that the vehicle moves straight ahead.)
- 2) Turn the ignition switch to OFF.
- 3) Disconnect the ground cable from battery and wait for at least 60 seconds before starting work.
- 4) Remove the driver's airbag module assembly.

#### CAUTION:

Before handling the airbag module, refer to "CAUTION" of "General Description" in "AIRBAG SYSTEM". <Ref. to AB-10, CAUTION, General Description.>

- (1) Using a hexagon wrench etc. wrapped by protective tape, insert the snap pins and release the locks (3 locations).

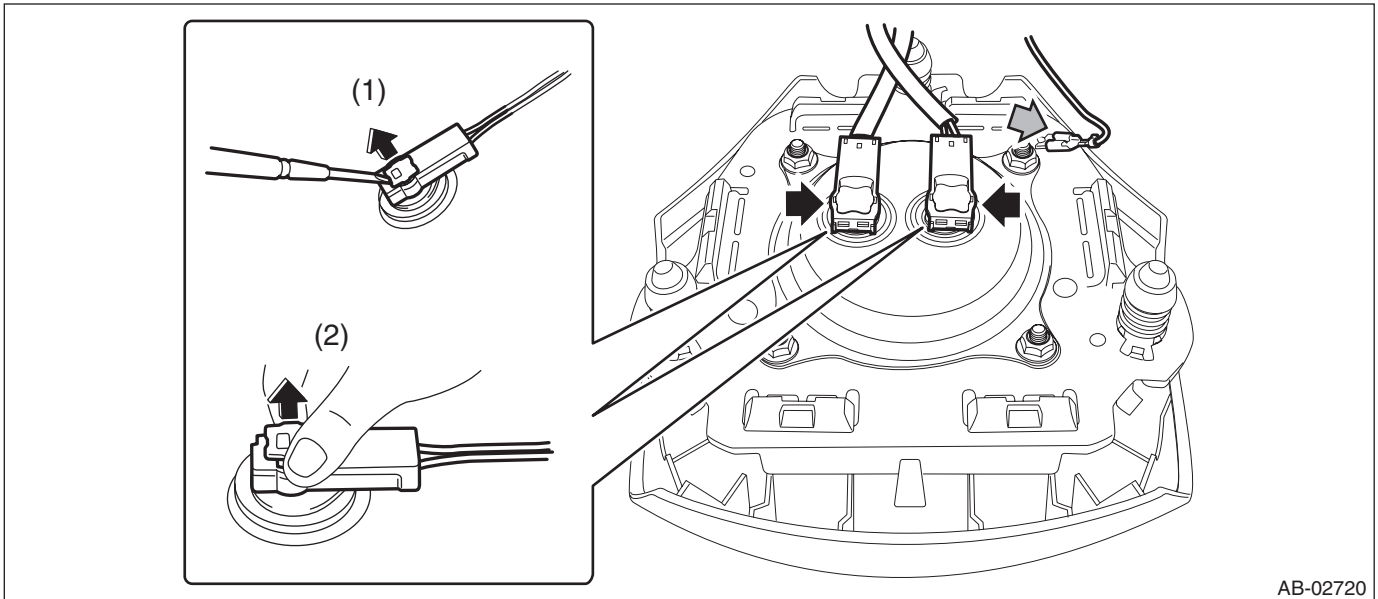


AB-02932

# Steering Switch

## INSTRUMENTATION/DRIVER INFO

(2) Disconnect the horn harness and airbag connector, and remove the drivers airbag module assembly. <Ref. to AB-22, DRIVER'S AIRBAG MODULE, CURTAIN AIRBAG MODULE, PRETENSIONER & LAP SEAT BELT PRETENSIONER, PROCEDURE, Airbag Connector.>



5) Remove the steering wheel.

### CAUTION:

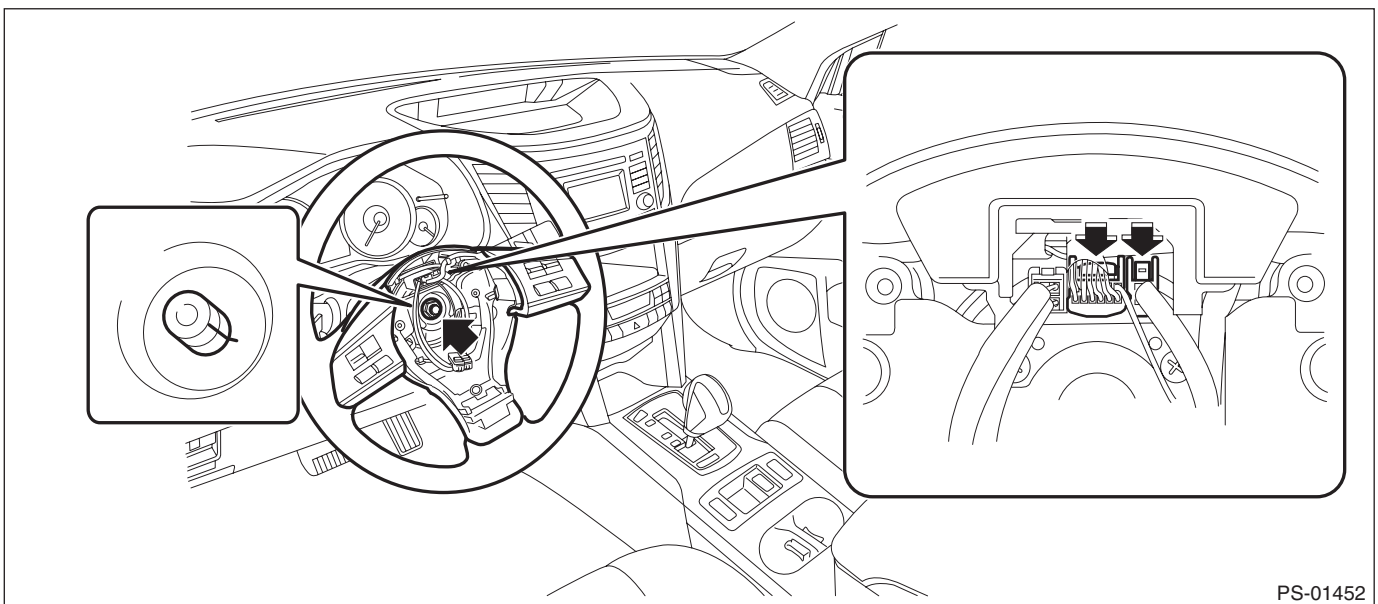
- Always use the steering wheel puller for removal to avoid deforming the steering wheel.
- If the steering wheel has been removed, make sure that the roll connector is not turned from the original position.

(1) Disconnect the connector and remove the nut.

(2) Put alignment marks and remove the steering wheel using a steering wheel puller.

### Preparation tool:

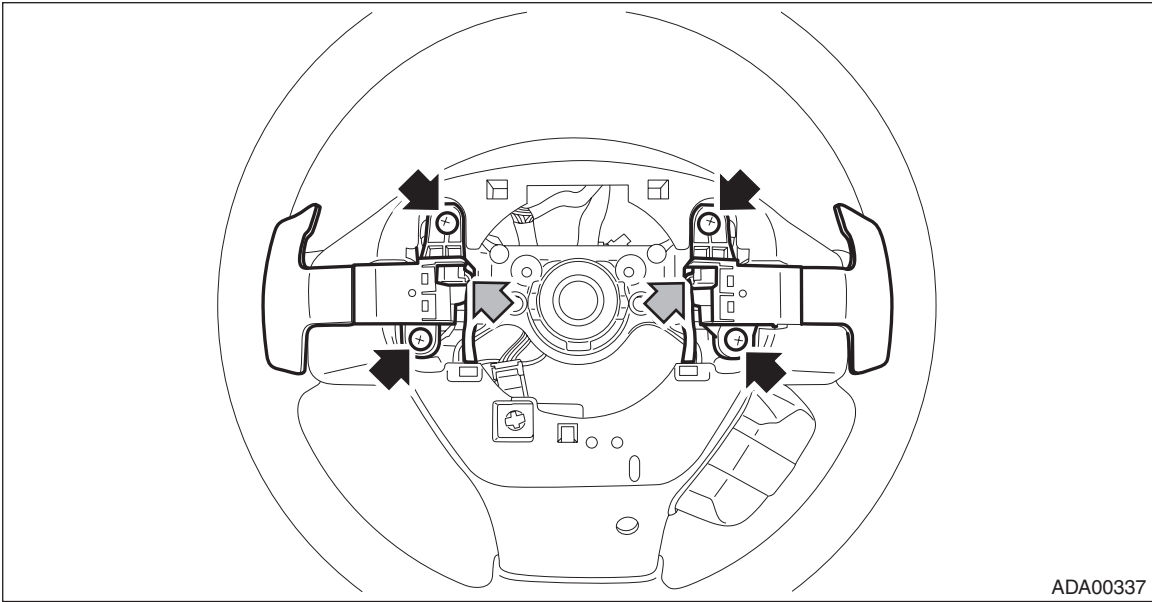
**Steering wheel puller**



# Steering Switch

6) Remove the cruise control command switch.

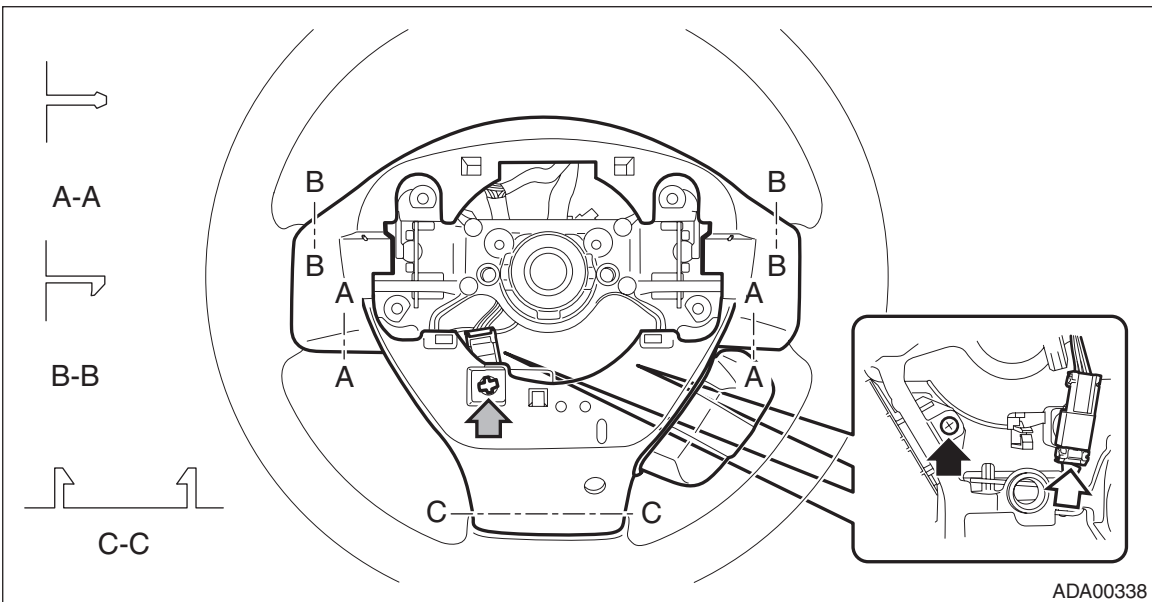
(1) Remove the screw, disconnect the connector and remove the paddle shift switch.



ADA00337

(2) Remove the steering switch connector and screw.

(3) Release the claws and clips and then remove the lower cover.

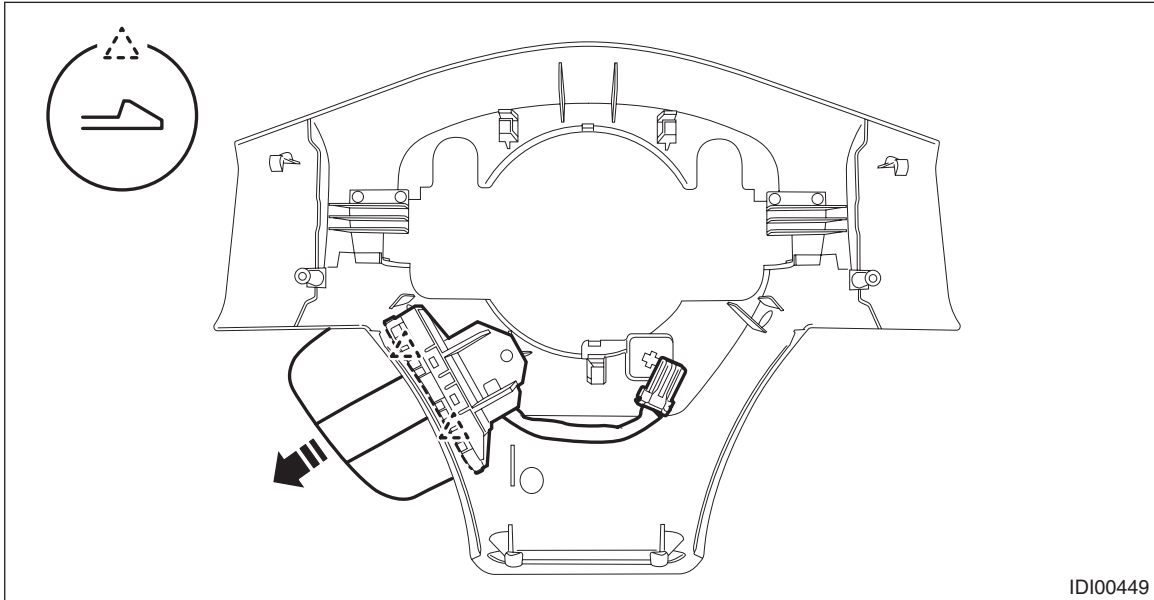


ADA00338

# Steering Switch

## INSTRUMENTATION/DRIVER INFO

- (4) Release the claws and then remove the steering switch from the lower cover.



## B: INSTALLATION

### CAUTION:

- Before handling the airbag module, refer to “CAUTION” of “General Description” in “AIRBAG SYSTEM”. <Ref. to AB-10, CAUTION, General Description.>
- Do not allow harness and connectors to interfere or get tangled up with other parts.
- If the steering wheel and steering angle sensor (steering roll connector) are removed, adjust the steering angle sensor. <Ref. to VDC-20, ADJUSTMENT, VDC Control Module and Hydraulic Control Unit (VDCCM&H/U).>

1) Before installing steering wheel, be sure to adjust the direction of roll connector with steering. <Ref. to AB-109, ADJUSTMENT, Roll Connector.>

2) Install each part in the reverse order of removal.

### NOTE:

Align the alignment marks on the steering wheel and steering column.

### *Tightening torque:*

***Steering wheel: 39 N·m (3.98 kgf-m, 28.8 ft-lb)***

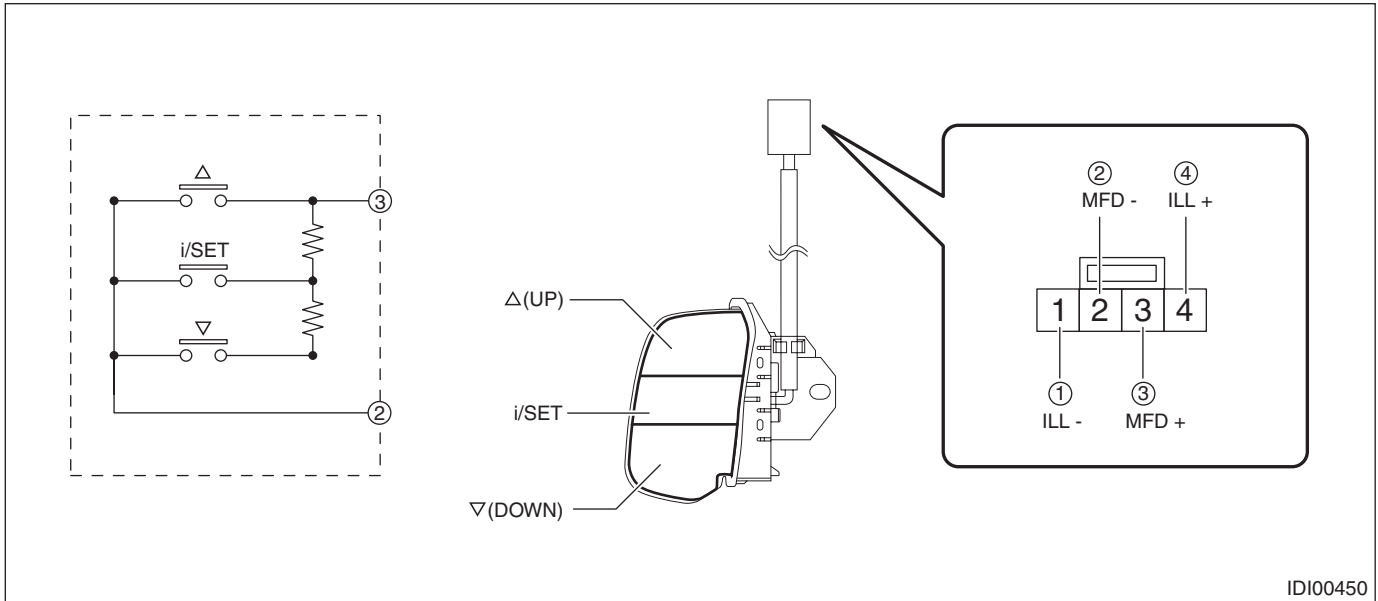
### *Clearance:*

***Between column cover and steering wheel: 4 — 6 mm (0.16 — 0.24 in)***

## C: INSPECTION

- 1) Disconnect the steering switch connector.
- 2) Measure the resistance between steering switch terminals.

**Preparation tool:**  
**Circuit tester**



IDI00450

Terminal No.	Inspection conditions		Standard
3 — 2	$\triangle$ (UP) i/SET $\nabla$ (DOWN)	All OFF	Approx. 1 M $\Omega$ or more
3 — 2	$\triangle$ (UP)	ON	Less than 1 $\Omega$
3 — 2	i/SET	ON	Approx. 1,000 $\Omega$
3 — 2	$\nabla$ (DOWN)	ON	Approx. 3,670 $\Omega$

- 3) Replace the steering switch if the inspection result is not within the standard value.

# Steering Switch

INSTRUMENTATION/DRIVER INFO

---

# SEATS

# SE

---

	<b>Page</b>
1. General Description .....	2
2. Front Seat .....	10
3. Rear Seat .....	34
4. Power Seat System .....	57
5. Seat Heater System .....	78