

5. Combination Meter

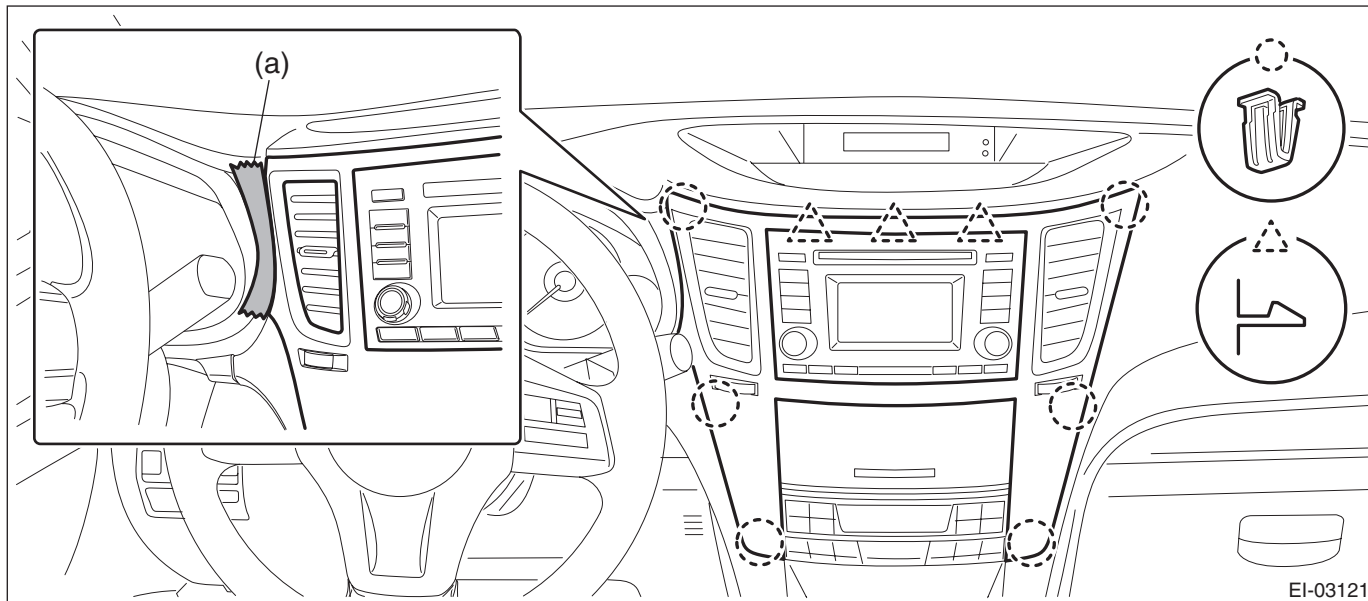
A: REMOVAL

- 1) Disconnect the ground cable from battery.
- 2) Remove the center panel assembly.

CAUTION:

Do not put your finger on the fin of the air vent grille. Doing so may damage the fin.

- (1) Attach the protective tape (a) to the meter visor.

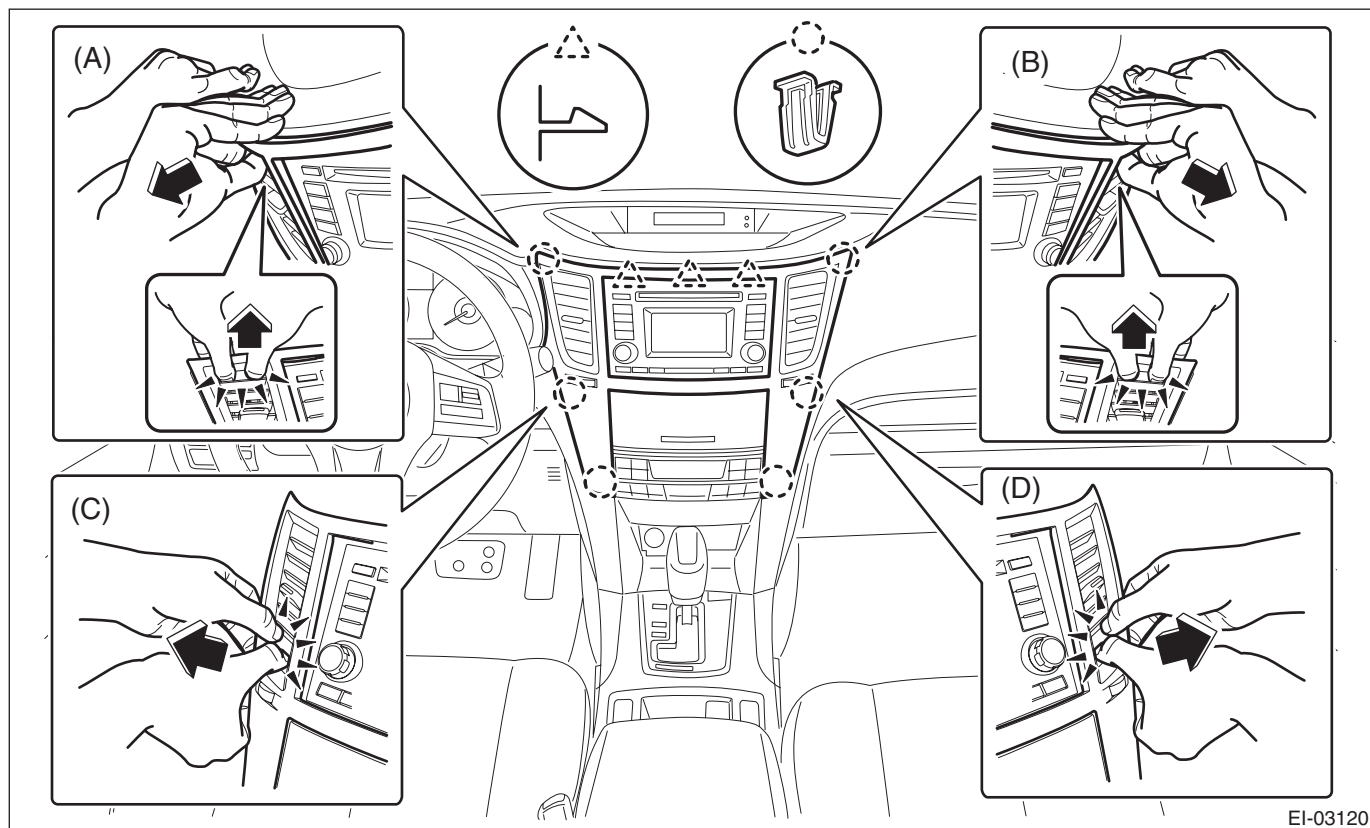


EI-03121

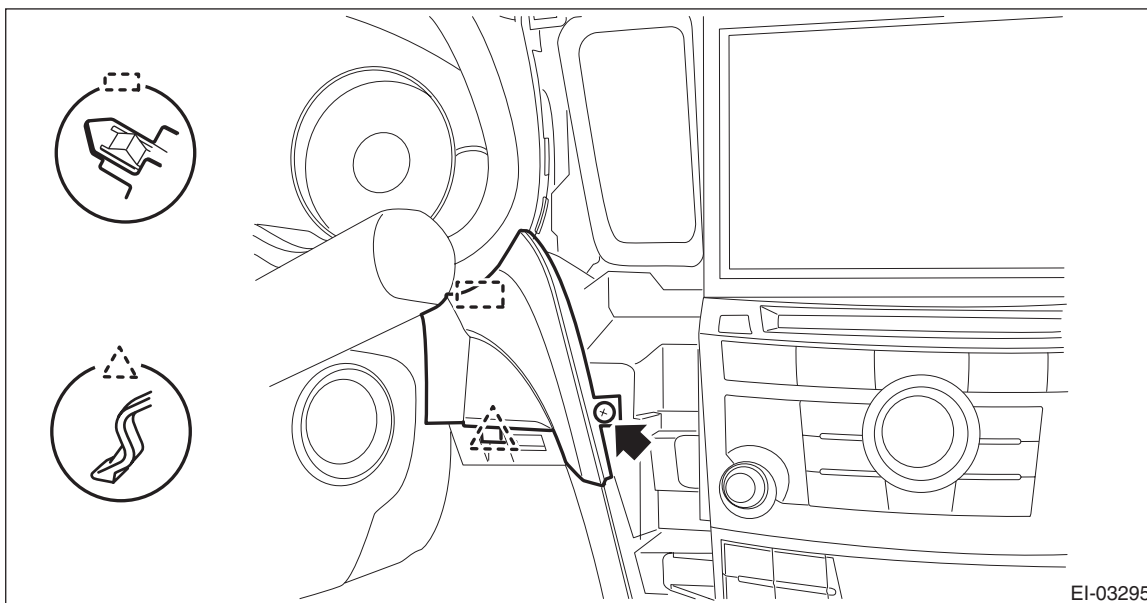
Combination Meter

INSTRUMENTATION/DRIVER INFO

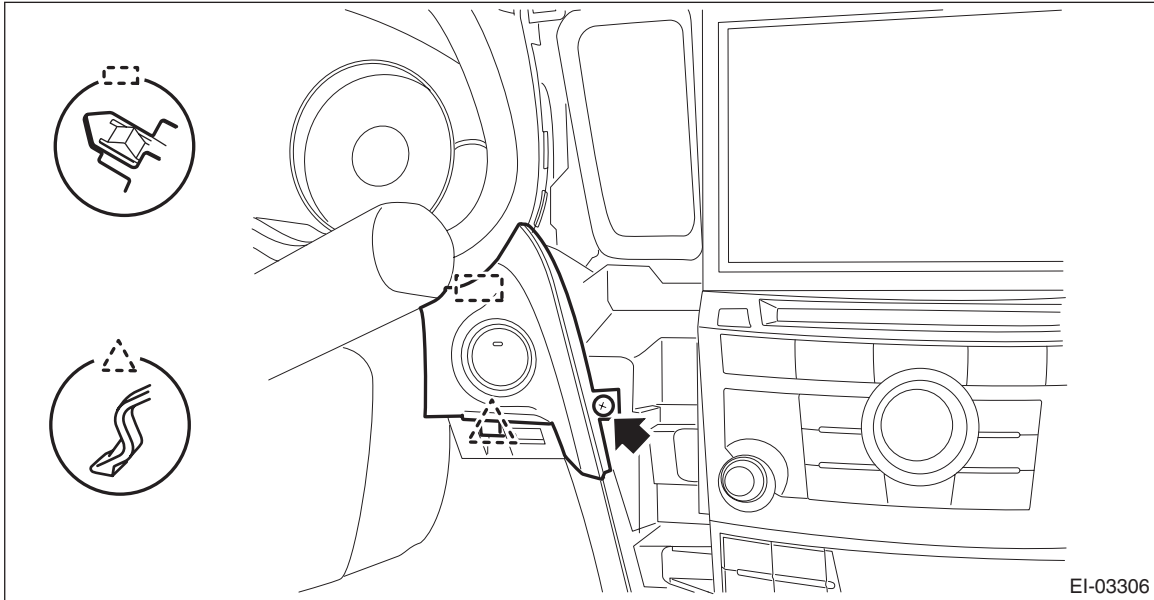
- (2) Insert a finger into the air vent grille and release the left and right clips at the top of the center panel.
(A), (B)
- (3) Insert a finger into the air vent grille and release the left and right clips at the center of the center panel.
(C), (D)
- (4) Release the clips at the bottom of the center panel and remove the center panel assembly.



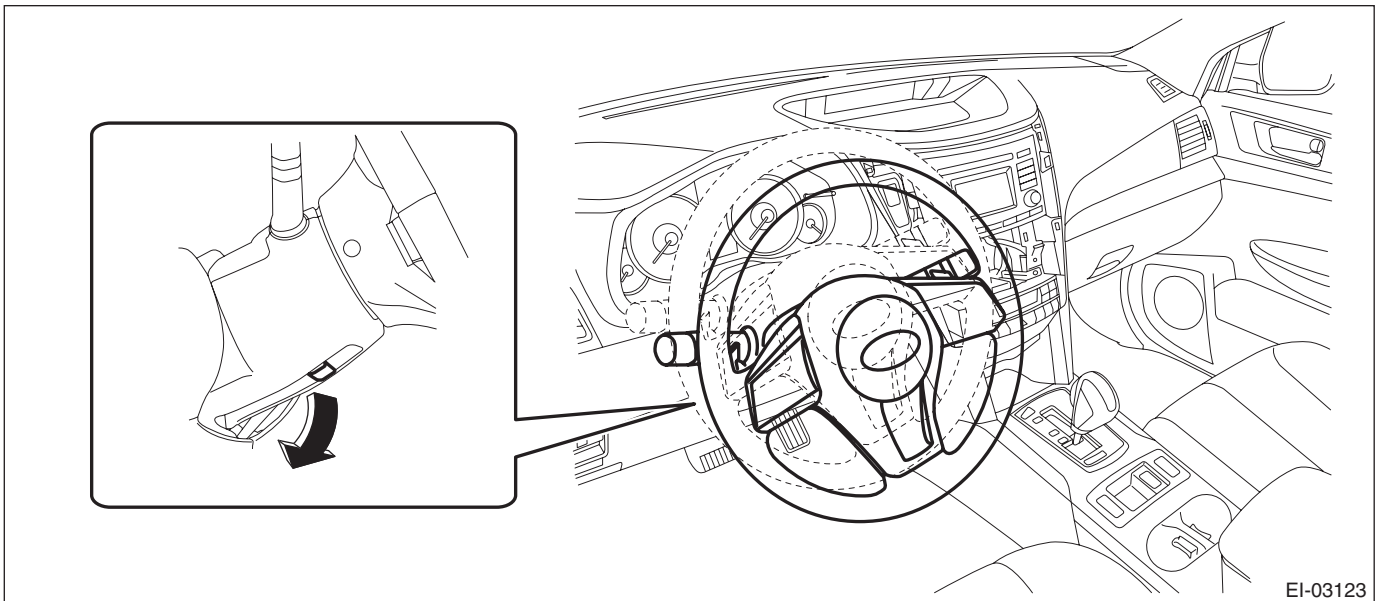
- 3) Remove the screws and release the claws, then detach the starter cover assembly.
 - Model without keyless access



- Model with keyless access



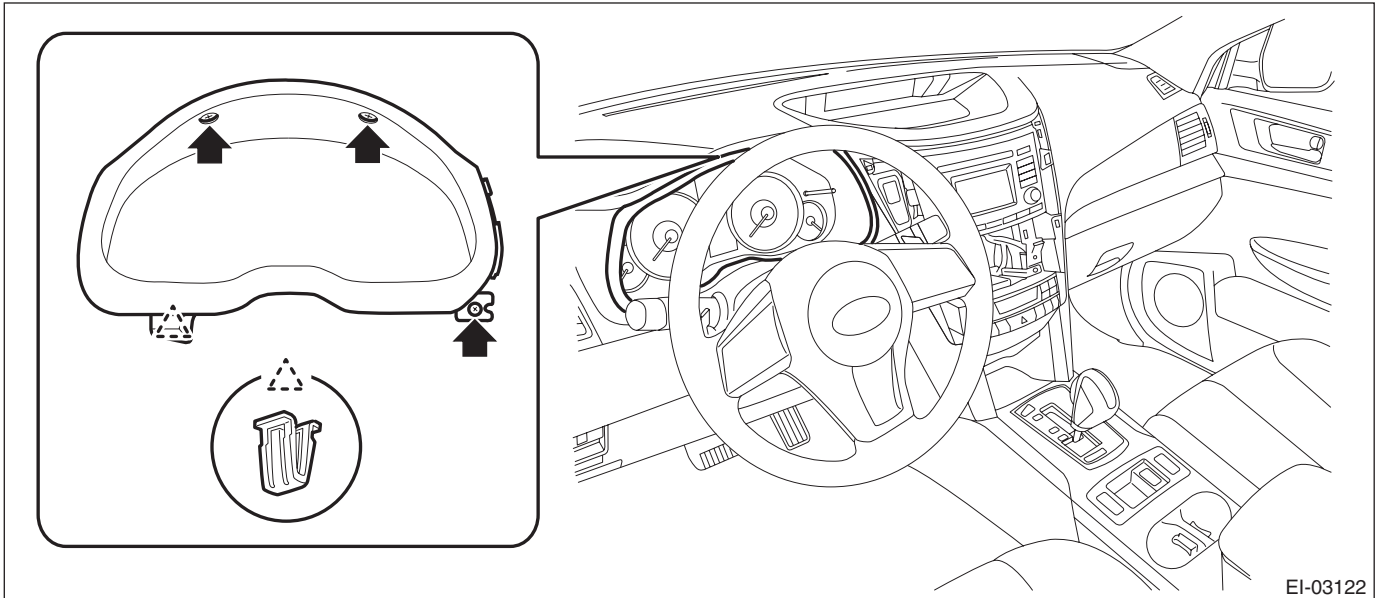
- 4) Release the lock, tilt the steering column to the lowest end and fully extend the column by the telescopic system.



Combination Meter

INSTRUMENTATION/DRIVER INFO

5) Release the screws and clips, then detach the meter visor assembly.



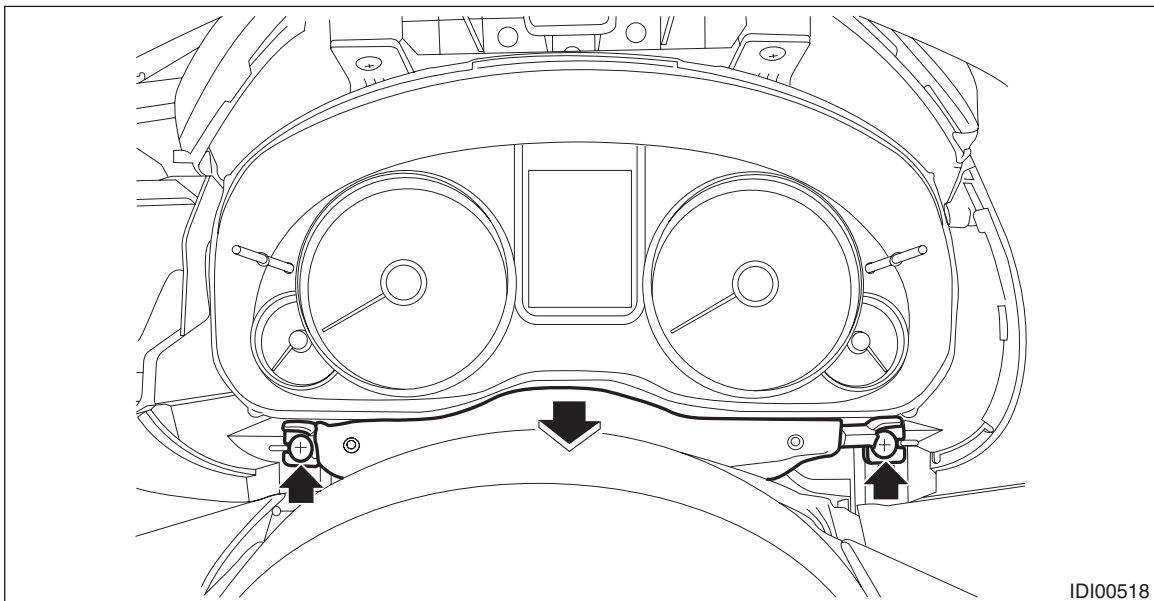
EI-03122

6) Remove the combination meter assembly.

CAUTION:

- Be careful not to damage the meter or instrument panel.
- Pay particular attention to avoid damaging the meter glass.

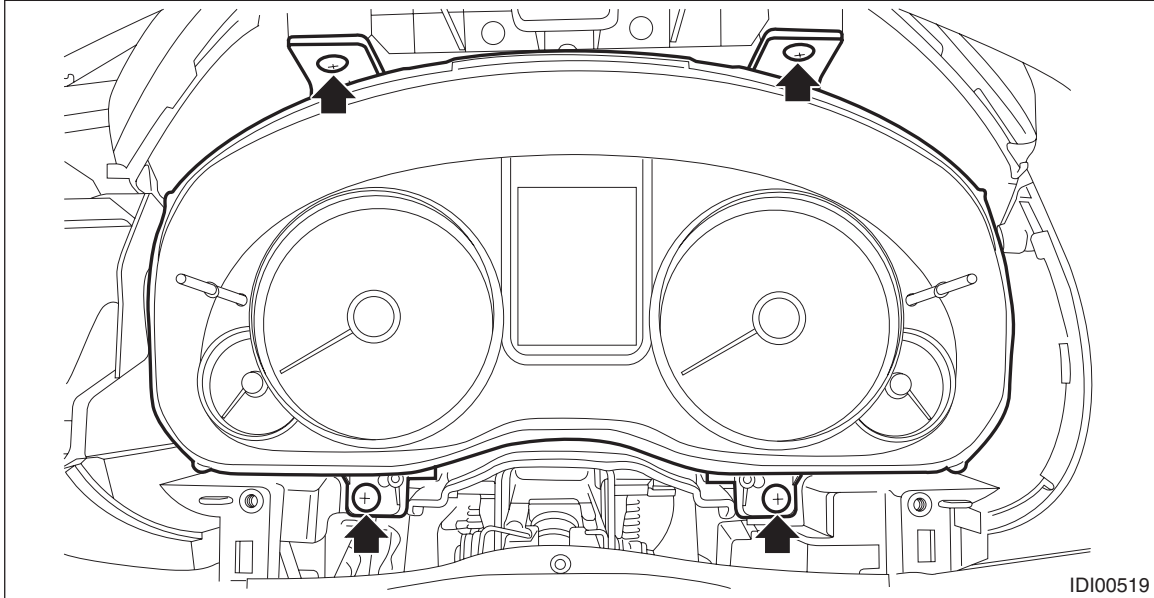
(1) Remove the screws and move the steering COMPL upper cover toward you.



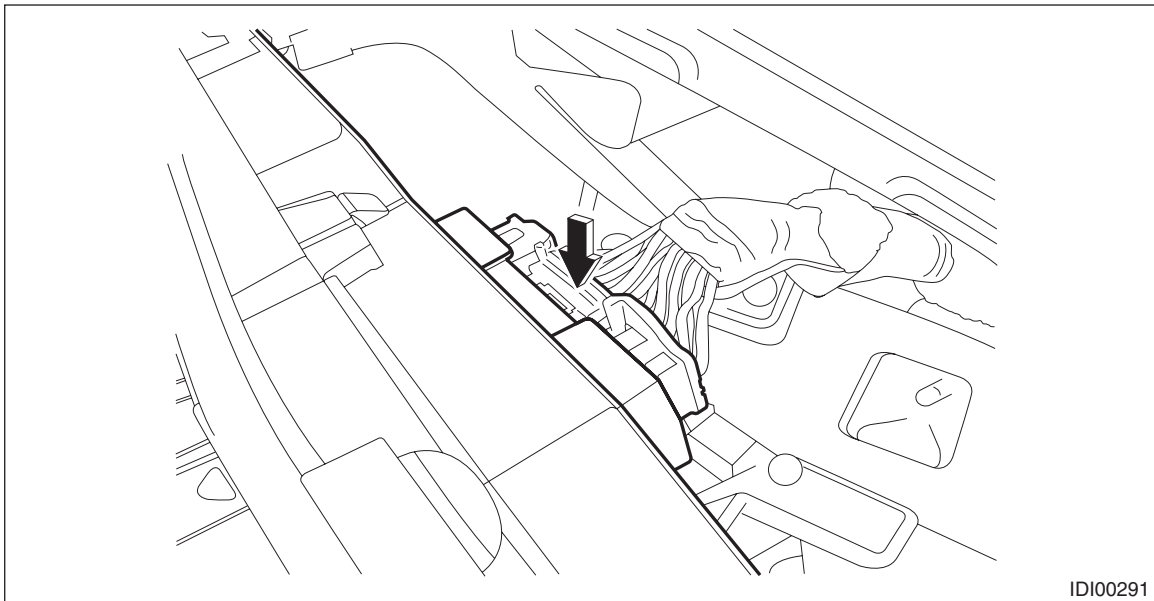
IDI00518

Combination Meter

(2) Remove the screws.



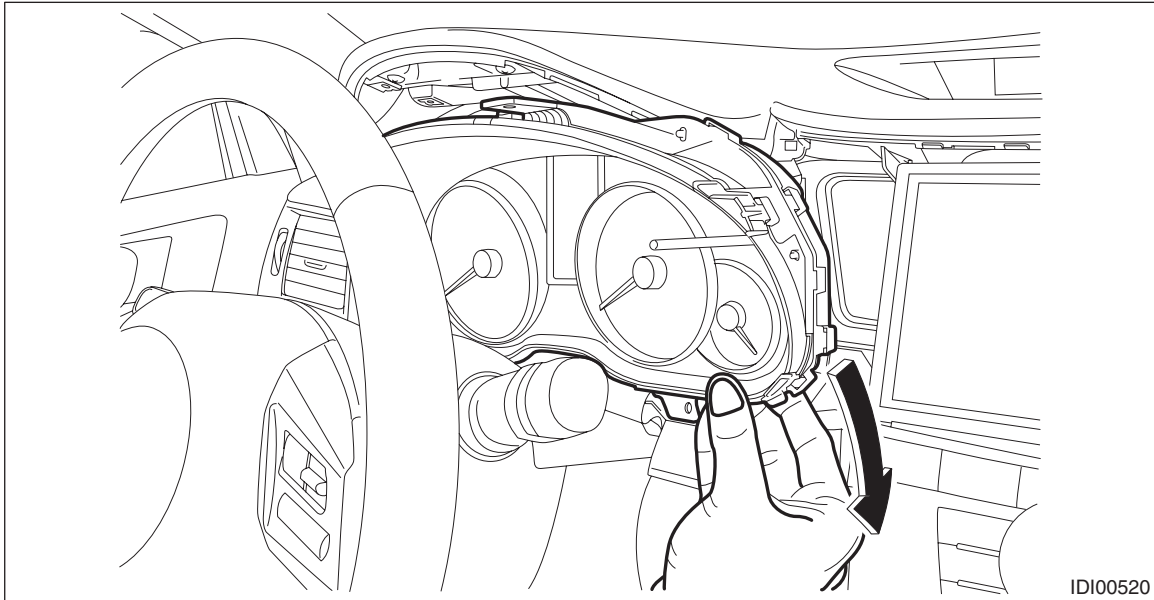
(3) Pull the combination meter toward you and disconnect the connector.



Combination Meter

INSTRUMENTATION/DRIVER INFO

(4) Remove the combination meter assembly as shown in the figure.



B: INSTALLATION

CAUTION:

- Make sure the electrical connector is connected securely.
- Make sure that each meter operates normally.
- When the combination meter of model without keyless access has been replaced, be sure to perform the registration of immobilizer.

Install each part in the reverse order of removal.

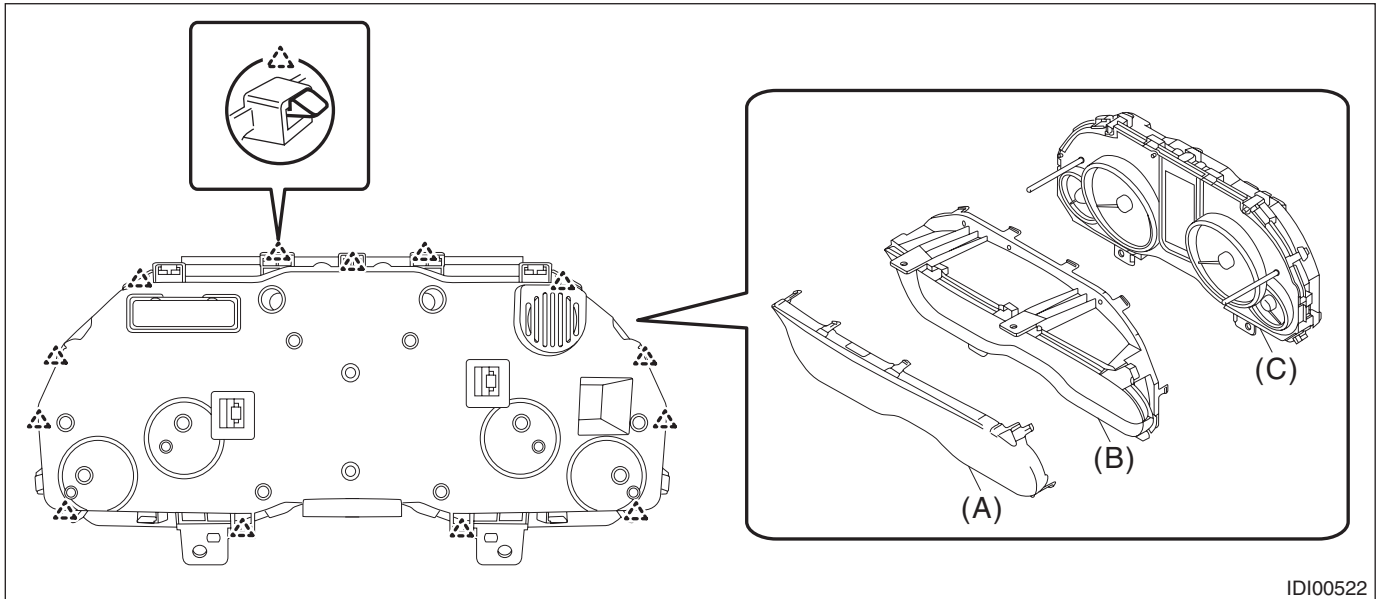
C: DISASSEMBLY

1. DISASSEMBLY OF COMBINATION METER ASSEMBLY

CAUTION:

- Use gloves to avoid damage and getting fingerprints on the glass surface and meter surfaces.
- Be careful not to apply excessive force to the trip knob.
- Be sure not to touch the meter indicator needle.

Disengage the claw, and remove the meter glass (A) and meter visor (B) from the meter case assembly (C).



IDI00522

2. BULB REPLACEMENT

LEDs are used for all of warning lights and indicator lights of combination meters, replace the meter case assembly if faulty.

D: ASSEMBLY

Assemble each part in the reverse order of disassembly.