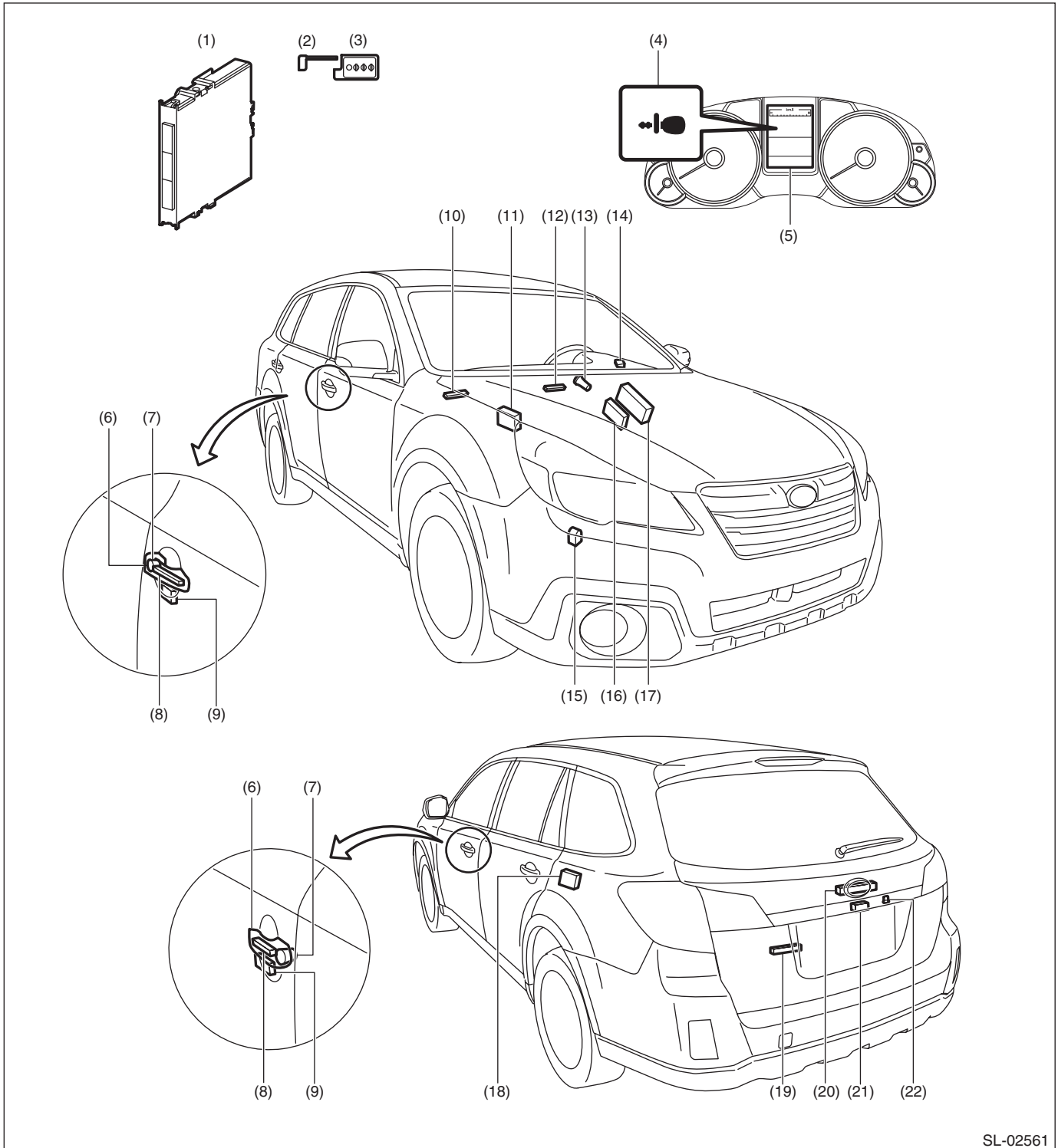


Electrical Component Location

KEYLESS ACCESS WITH PUSH BUTTON START SYSTEM (DIAGNOSTICS)

4. Electrical Component Location

A: LOCATION



Electrical Component Location

KEYLESS ACCESS WITH PUSH BUTTON START SYSTEM (DIAGNOSTICS)

- | | | |
|-------------------------------|----------------------------------|------------------------------|
| (1) Keyless access CM | (9) Oscillator | (16) TCM |
| (2) Mechanical key | (10) Center interior antenna | (17) Body integrated unit |
| (3) Access key | (11) ECM | (18) Receiver |
| (4) Access key warning light | (12) Front interior antenna | (19) Rear interior antenna |
| (5) Multi information display | (13) Push button ignition switch | (20) Rear exterior antenna |
| (6) Touch sensor | (14) Steering lock CM | (21) Rear gate opener button |
| (7) Front lock button | (15) Access buzzer | (22) Rear lock button |
| (8) Front exterior antenna | | |