

## 12.Light Control Sensor

### A: REMOVAL

**NOTE:**

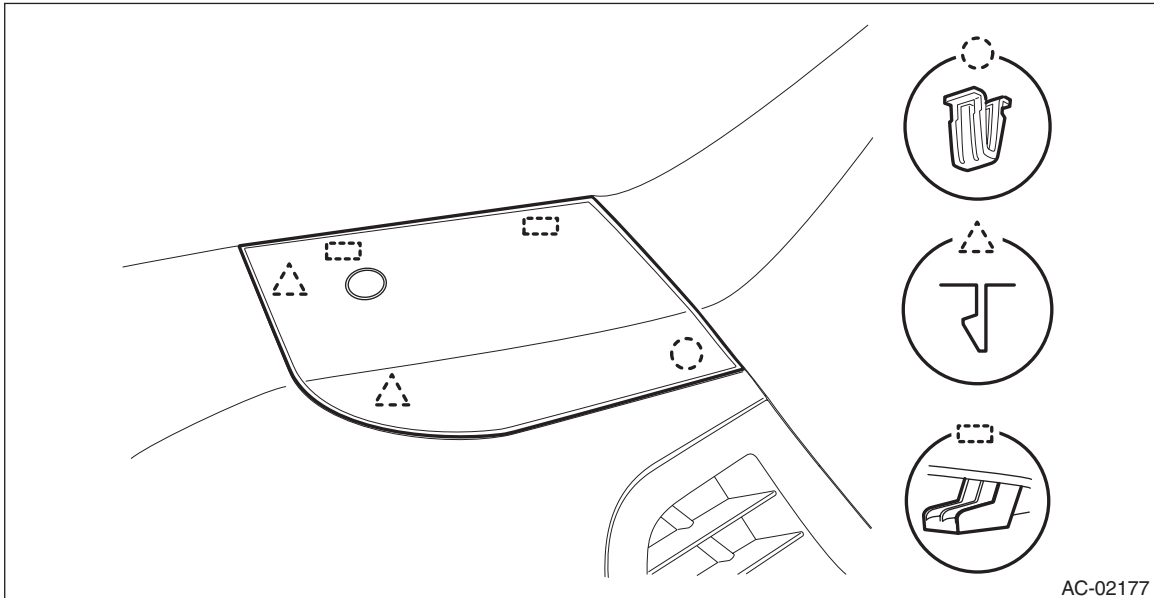
The light control sensor is integrated with the sunload sensor.

- 1) Disconnect the ground cable from battery.
- 2) Remove the light control sensor.

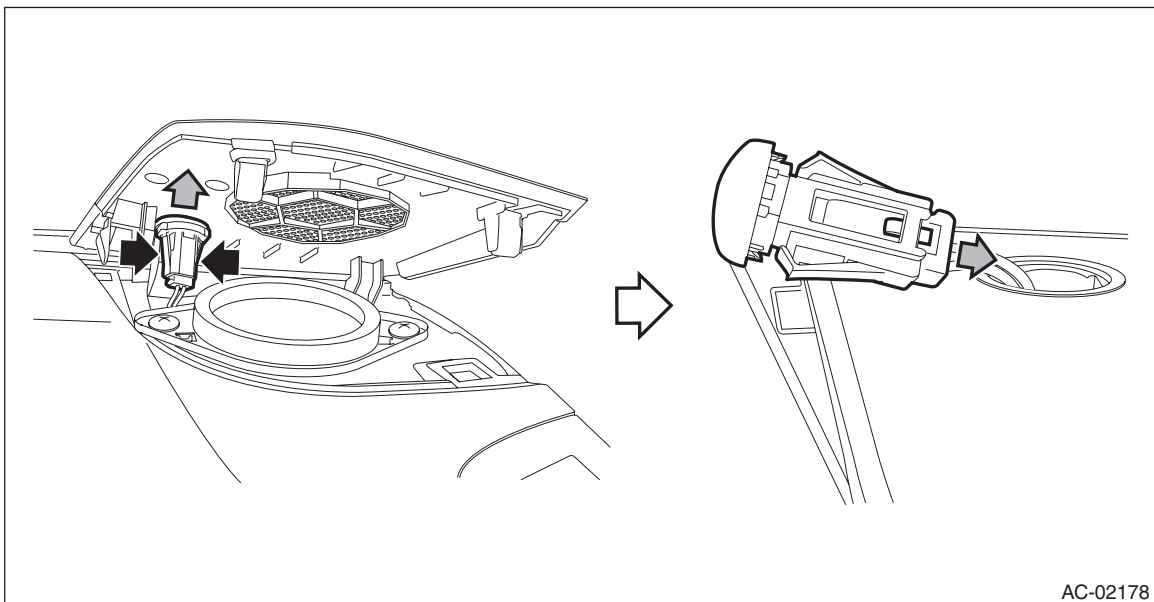
**CAUTION:**

**Be careful not to damage the sensors and interior trims when removing.**

- (1) Release the claws and clips, then detach the side speaker cover (RH).



- (2) Push out the light control sensor by pressing the left and right claws.
- (3) Disconnect the connector, and remove the light control sensor.



# Light Control Sensor

LIGHTING SYSTEM

---

## **B: INSTALLATION**

Install each part in the reverse order of removal.

## **C: INSPECTION**

For the inspection of the light control sensor, refer to “AUTO HEADLIGHT SYSTEM CHECK” of “Headlight System”. <Ref. to LI-6, AUTO HEADLIGHT SYSTEM CHECK, INSPECTION, Headlight System.>