

Front Fog Light Assembly

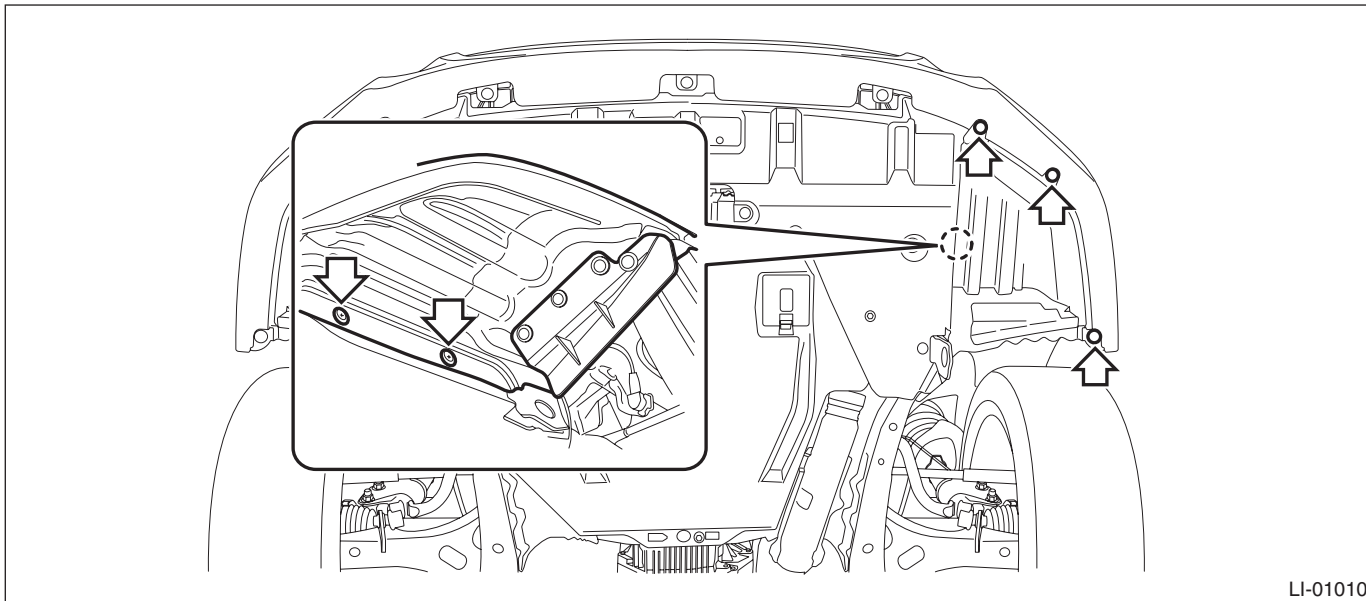
LIGHTING SYSTEM

18. Front Fog Light Assembly

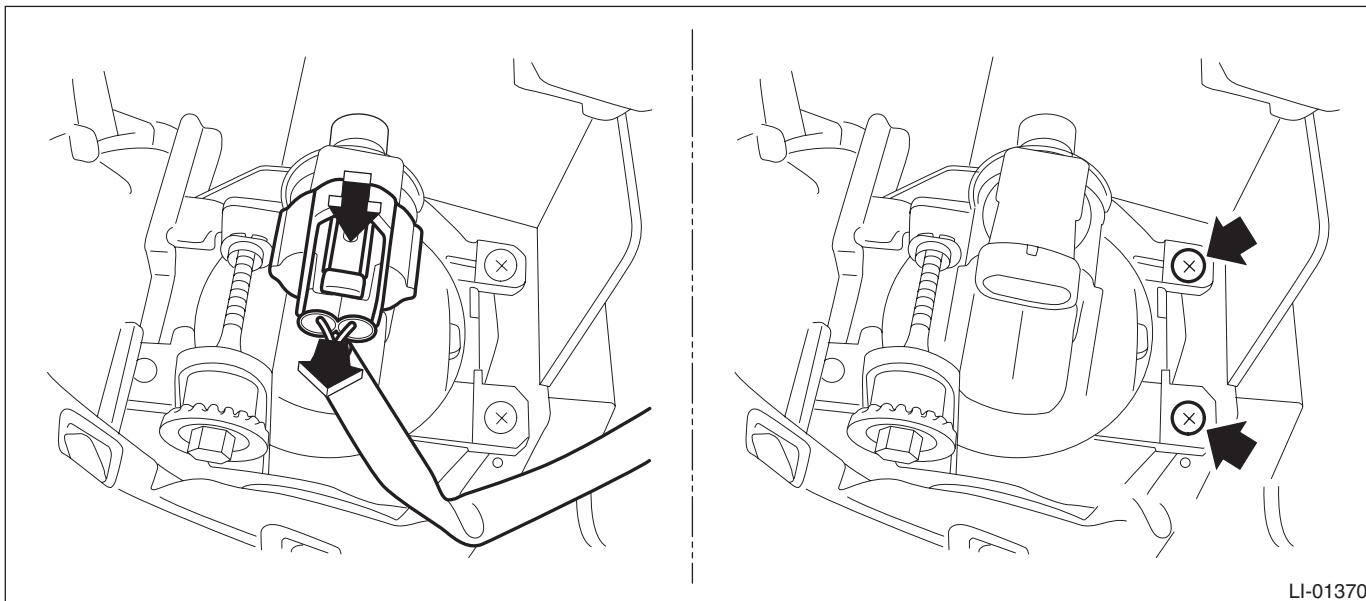
A: REMOVAL

1. SEDAN MODEL

- 1) Disconnect the ground cable from battery.
- 2) Remove the clips and turn over the front end of front mud guard.

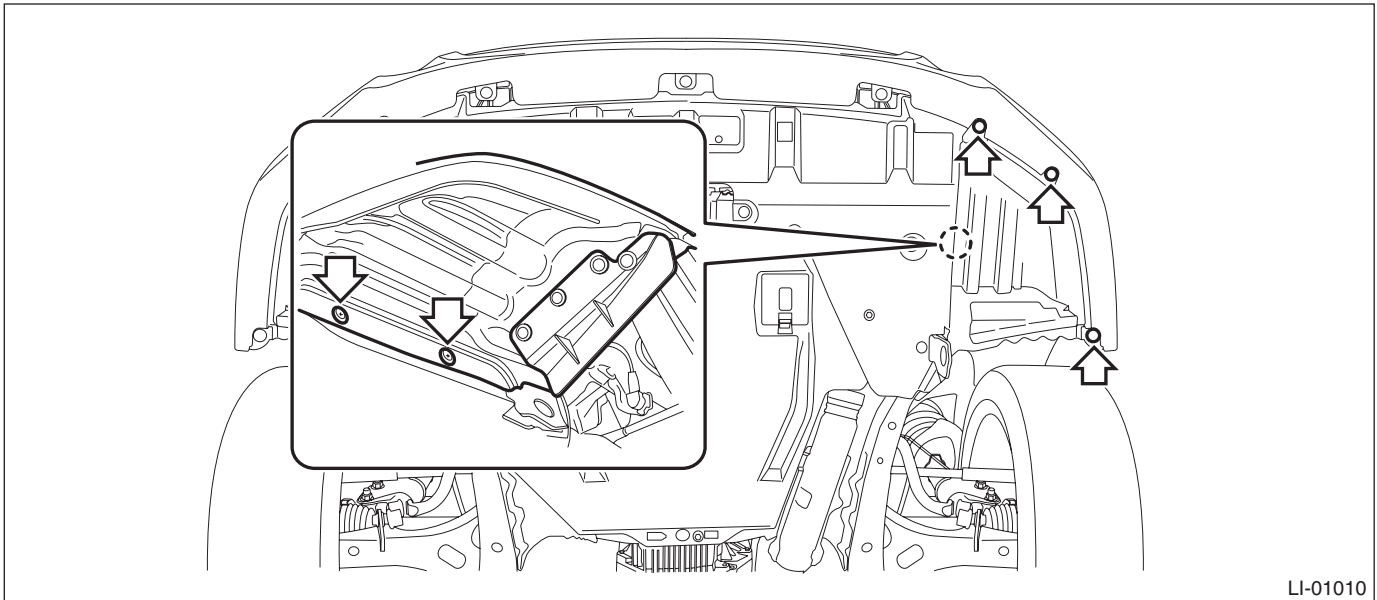


- 3) From the bottom of bumper face, remove the front fog light assembly.
 - (1) Disconnect the connector.
 - (2) Remove the screws, and remove the front fog light assembly.



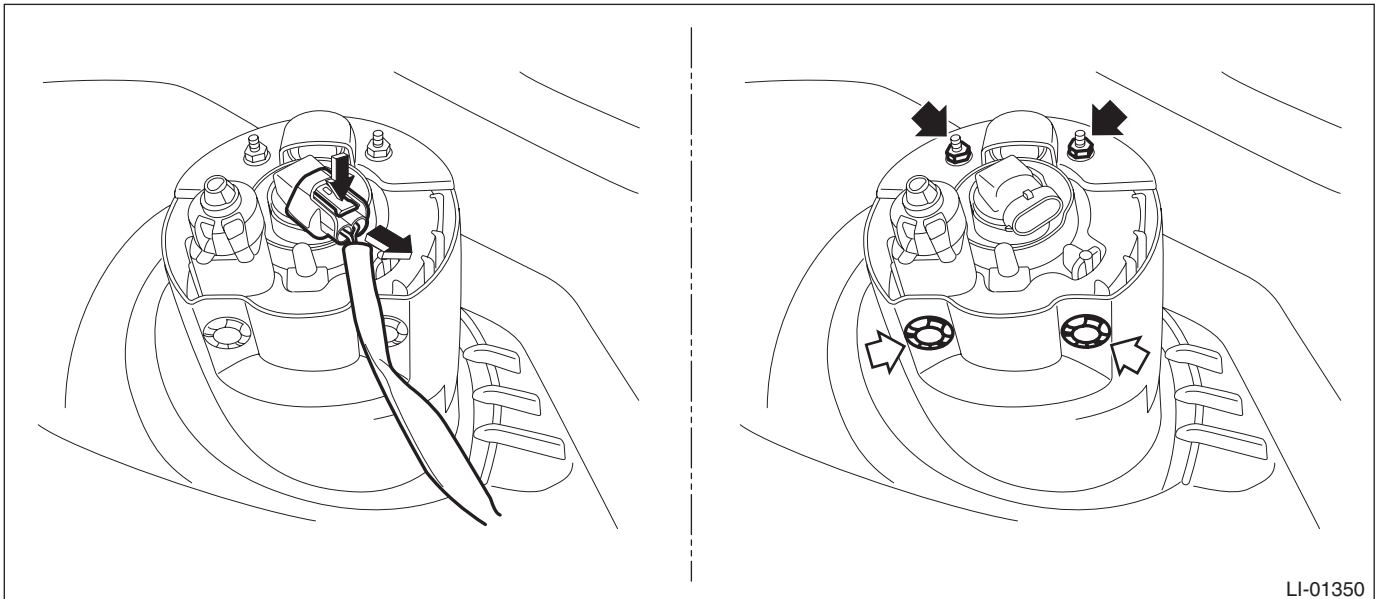
2. OUTBACK MODEL

- 1) Disconnect the ground cable from battery.
- 2) Remove the clips and turn over the front end of front mud guard.



LI-01010

- 3) From the bottom of bumper face, remove the front fog light assembly.
 - (1) Disconnect the connector.
 - (2) Remove the nuts and clips, and remove the front fog light assembly.



LI-01350

B: INSTALLATION

- 1) Install each part in the reverse order of removal.

Tightening torque:

Front fog light assembly: 7.5 N·m (0.76 kgf-m, 5.5 ft-lb)

- 2) Adjust the fog light beam. <Ref. to LI-42, FOG LIGHT AIMING, ADJUSTMENT, Front Fog Light Assembly.>

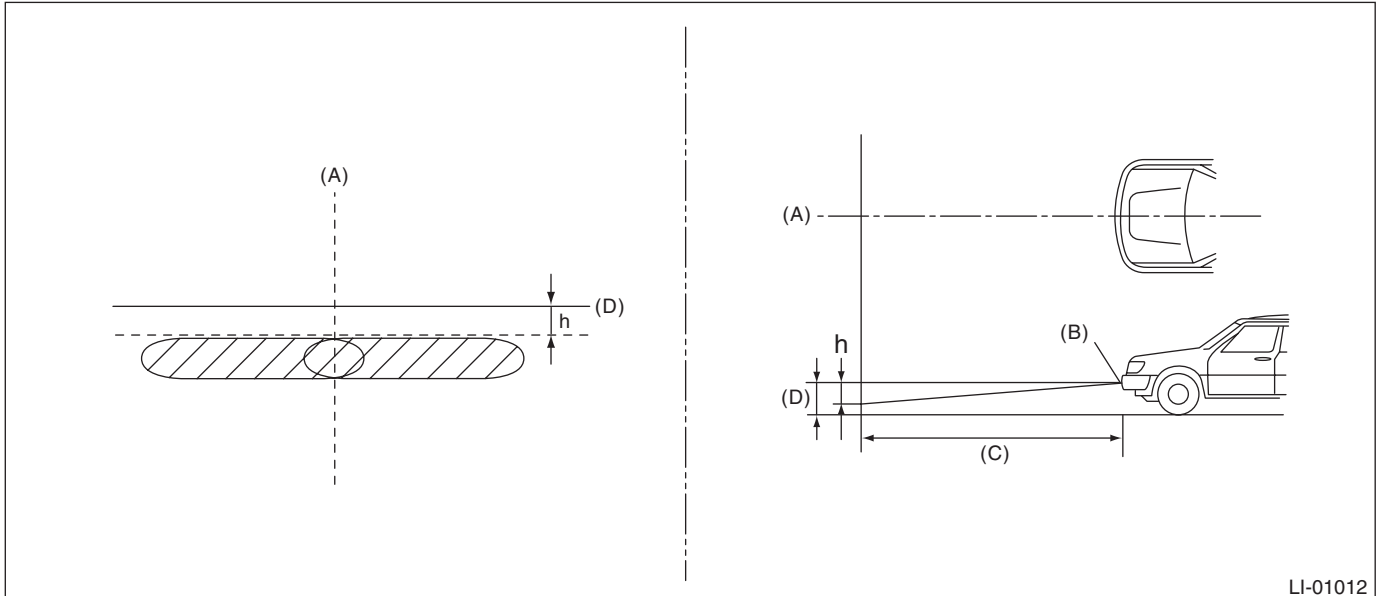
Front Fog Light Assembly

LIGHTING SYSTEM

C: ADJUSTMENT

1. FOG LIGHT AIMING

- 1) Before checking the fog light beam level, be sure of the following:
 - The area around the fog light has not sustained any accident, damage or other type of deformation.
 - Vehicle is parked on a level surface.
 - The inflation pressure of tires is correct.
 - Vehicle's fuel tank is fully filled.
- 2) Bounce the vehicle several times to normalize the suspension.
- 3) Make certain that someone is seated in the driver's seat.
- 4) Place the vehicle with the front end facing to the measurement panel.



(A) Vehicle center
(B) Bulb center marking

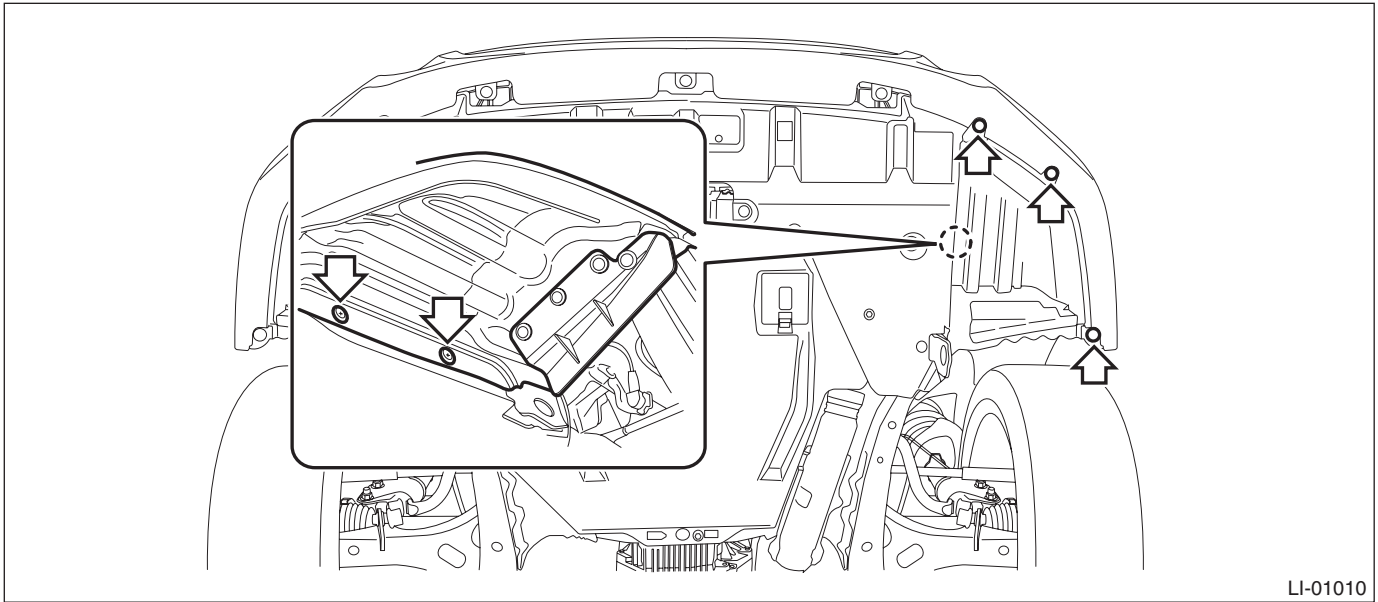
(C) 3 m (10 ft)

(D) Height of fog light center

h mm (in) at 3 m (10 ft)
40 (1.58)

5) Adjust the fog light beam.

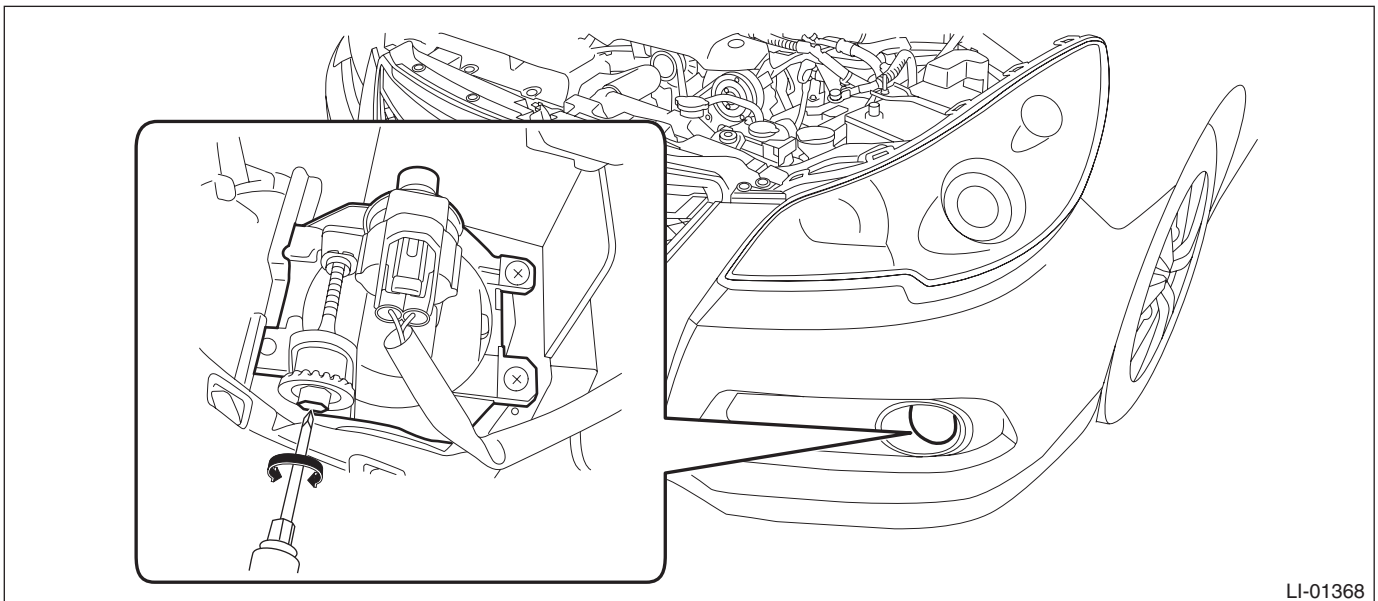
(1) Remove the clips and turn over the front end of front mud guard.



LI-01010

(2) Adjust the beam direction by turning the aiming screw from the bottom of front bumper face.

- Sedan model



LI-01368

Front Fog Light Assembly

LIGHTING SYSTEM

- OUTBACK model

