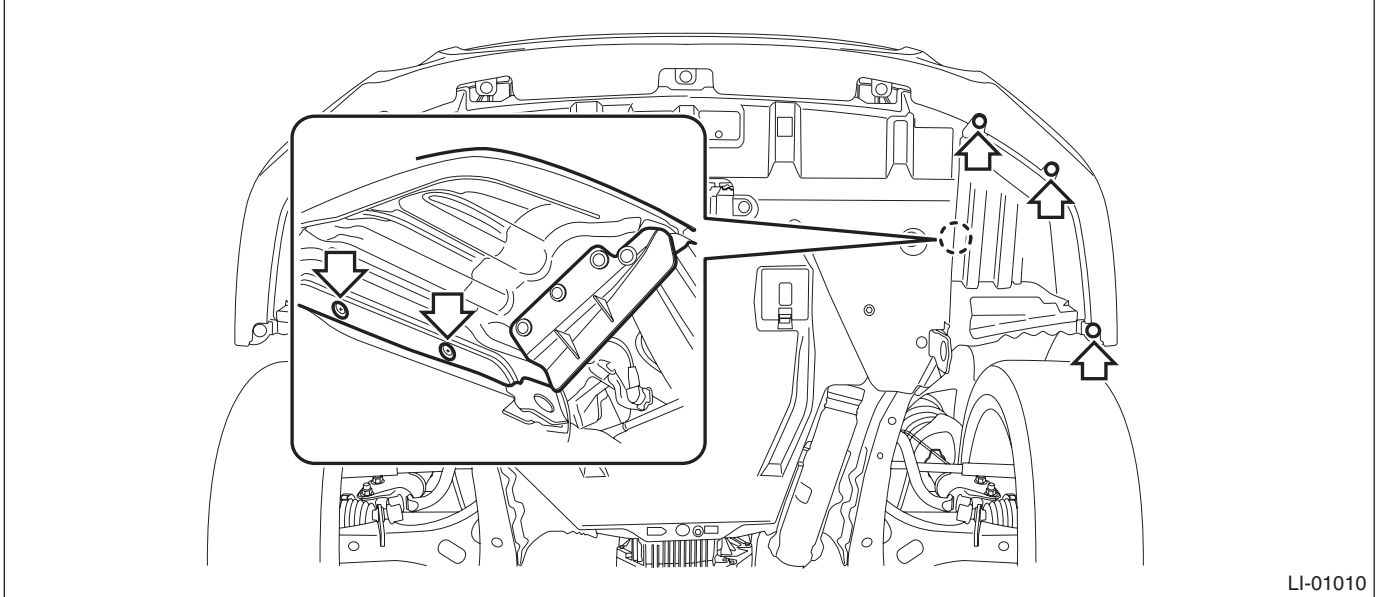


## 19. Front Fog Light Bulb

### A: REMOVAL

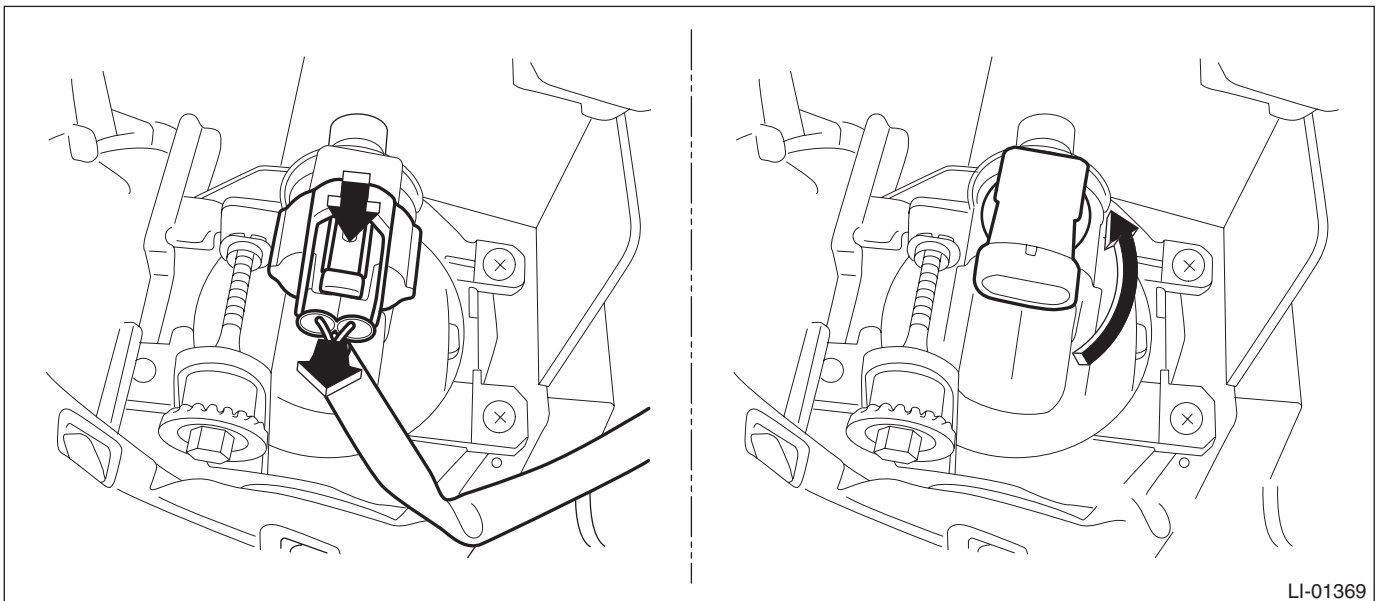
#### 1. SEDAN MODEL

- 1) Disconnect the ground cable from battery.
- 2) Remove the clips and turn over the front end of front mud guard.



LI-01010

- 3) From the bottom of bumper face, remove the front fog light bulb.
  - (1) Disconnect the connector.
  - (2) Remove the bulb.



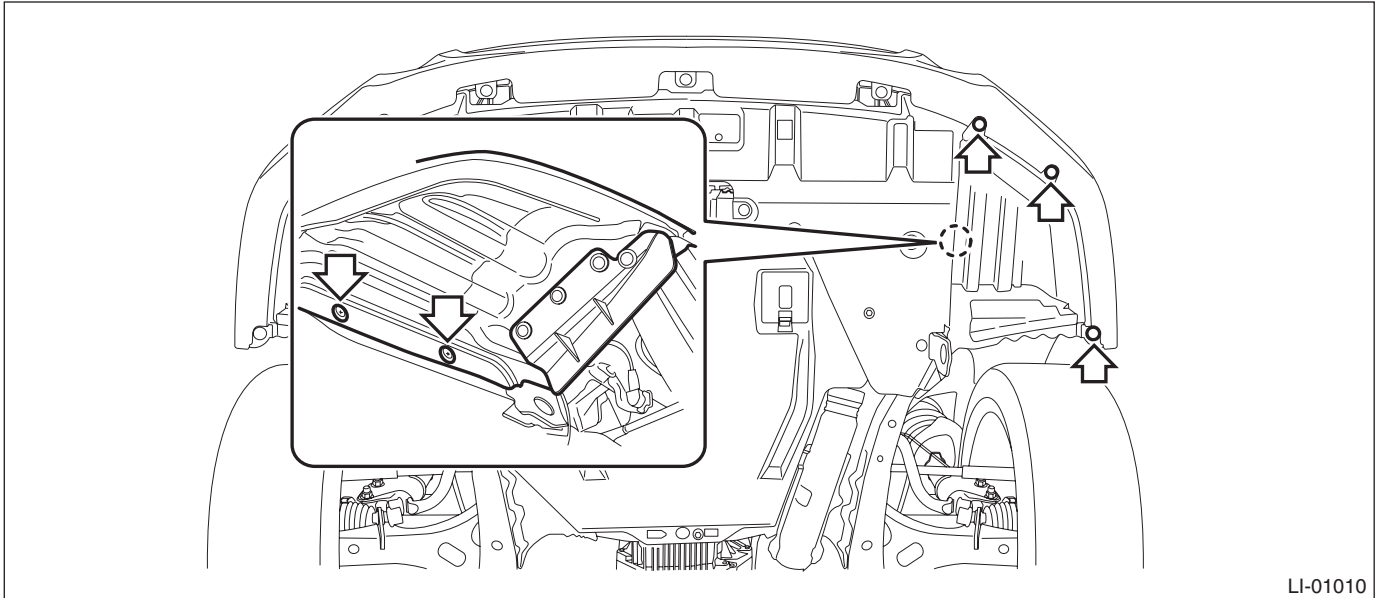
LI-01369

# Front Fog Light Bulb

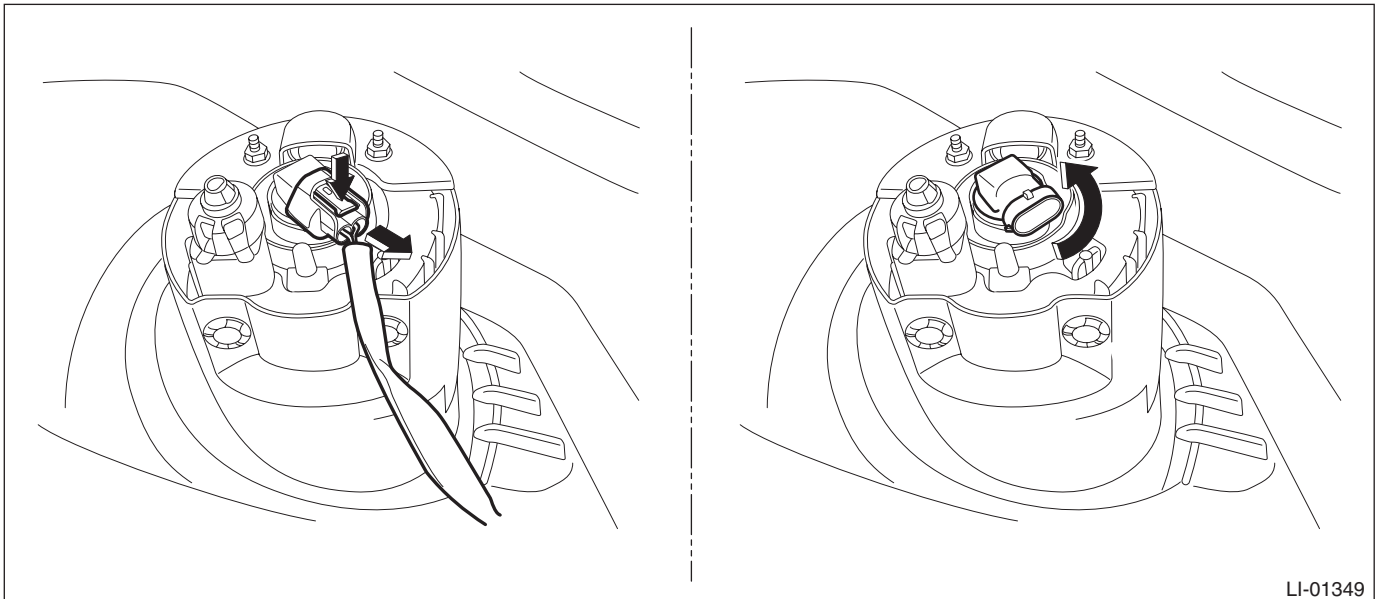
## LIGHTING SYSTEM

### 2. OUTBACK MODEL

- 1) Disconnect the ground cable from battery.
- 2) Remove the clips and turn over the front end of front mud guard.



- 3) From the bottom of bumper face, remove the front fog light bulb.
  - (1) Disconnect the connector.
  - (2) Remove the bulb.



### B: INSTALLATION

#### CAUTION:

After connecting the connector, make sure that the bulb is locked securely.

Install each part in the reverse order of removal.

### C: INSPECTION

- 1) Visually check the bulb for blow out.
- 2) Check the bulb specification. <Ref. to LI-2, SPECIFICATION, General Description.>
- 3) Replace the bulb if it is found defective.