

Tail/Stop Light Bulb

LIGHTING SYSTEM

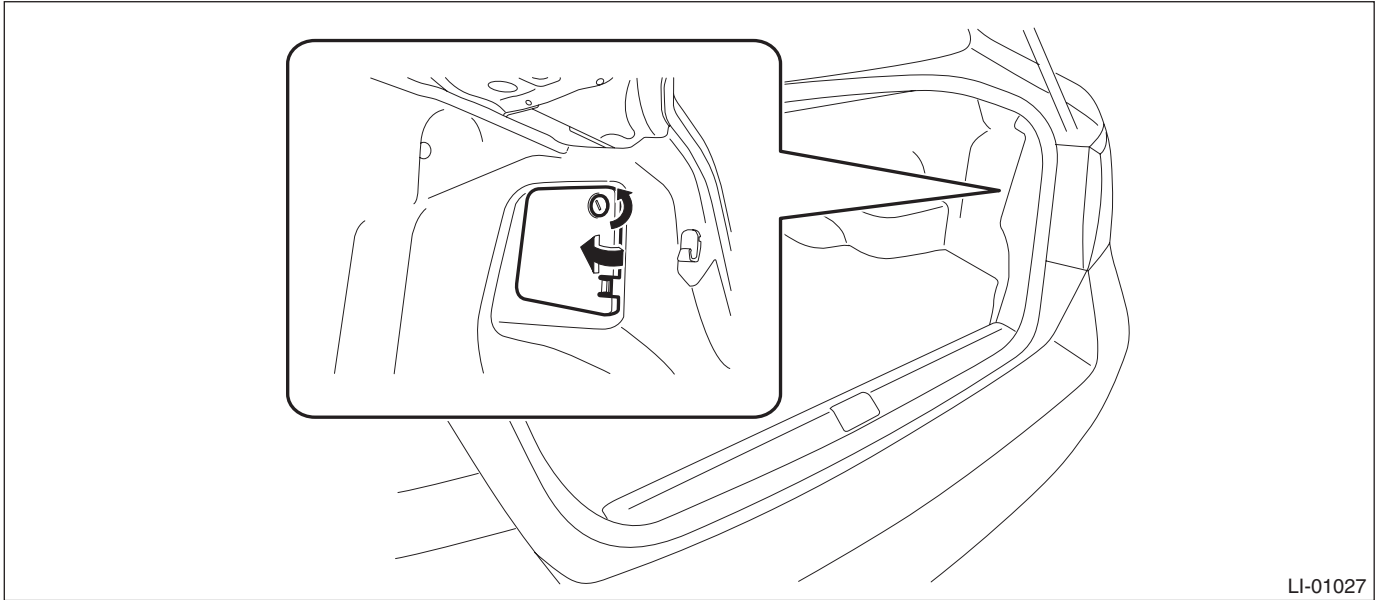
22. Tail/Stop Light Bulb

A: REMOVAL

1. SEDAN MODEL

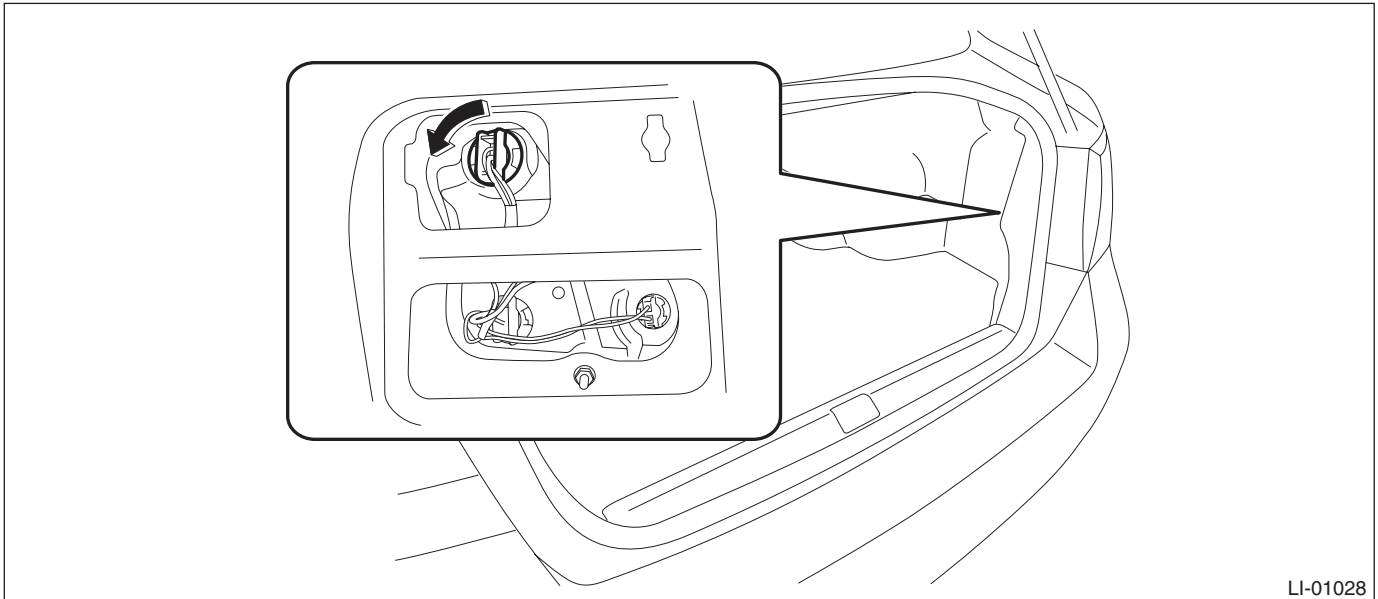
• Rear combination light side

- 1) Disconnect the ground cable from battery.
- 2) Release the lock and remove the bulb inspection cover of trunk room trim.



LI-01027

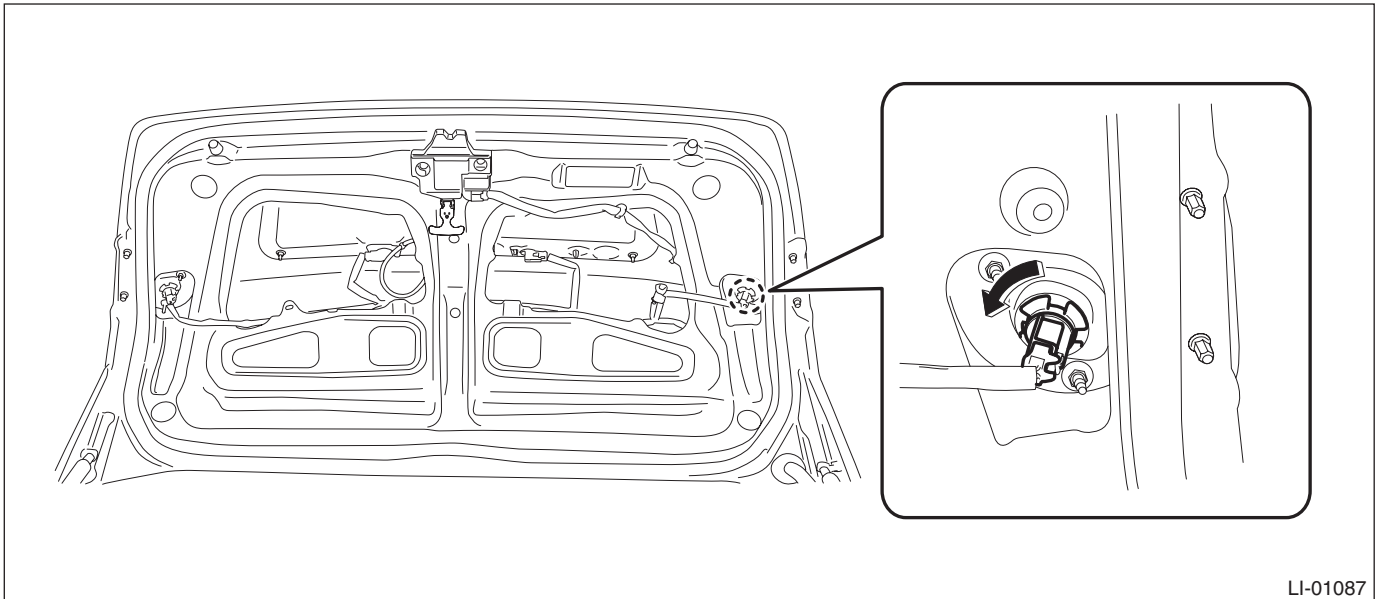
- 3) Remove the bulb socket and tail light/stop light bulb.



LI-01028

- **Rear finisher light side**

- 1) Disconnect the ground cable from battery.
- 2) Remove the trunk lid trim. <Ref. to EI-130, TRUNK LID TRIM, REMOVAL, Trunk Room Trim.>
- 3) Remove the bulb socket and tail light bulb.

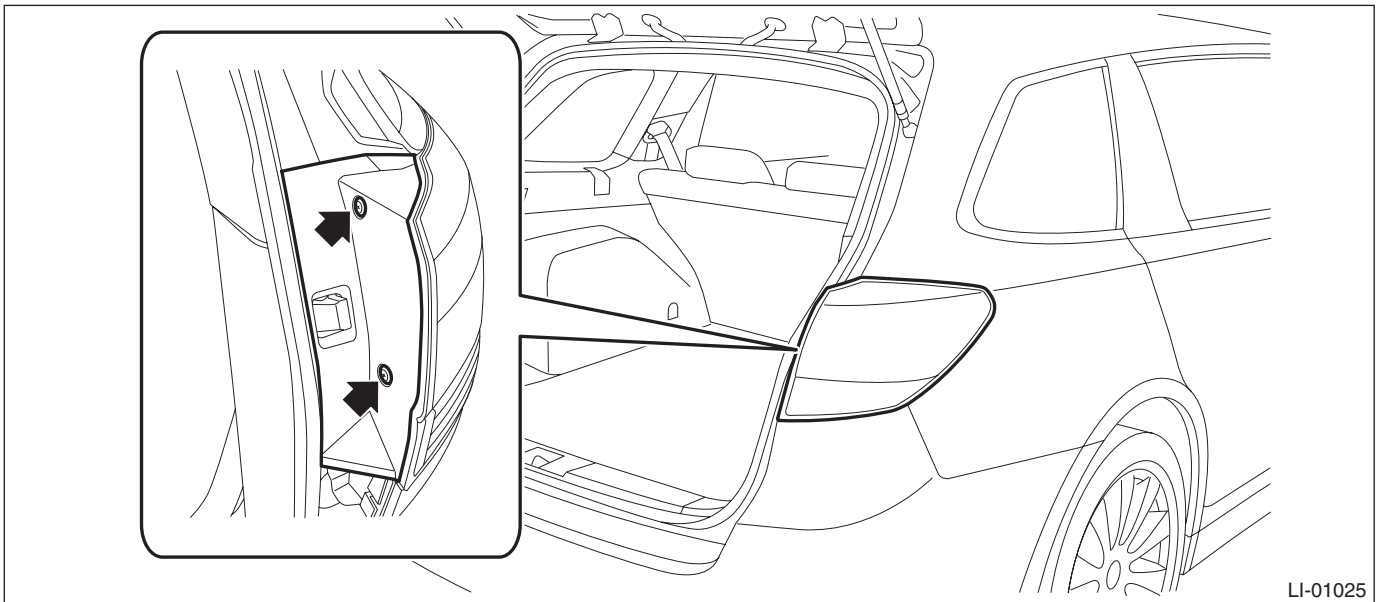


LI-01087

2. OUTBACK MODEL

- **Rear combination light side**

- 1) Disconnect the ground cable from battery.
- 2) Remove the clips and detach the rear combination light covers.



LI-01025

Tail/Stop Light Bulb

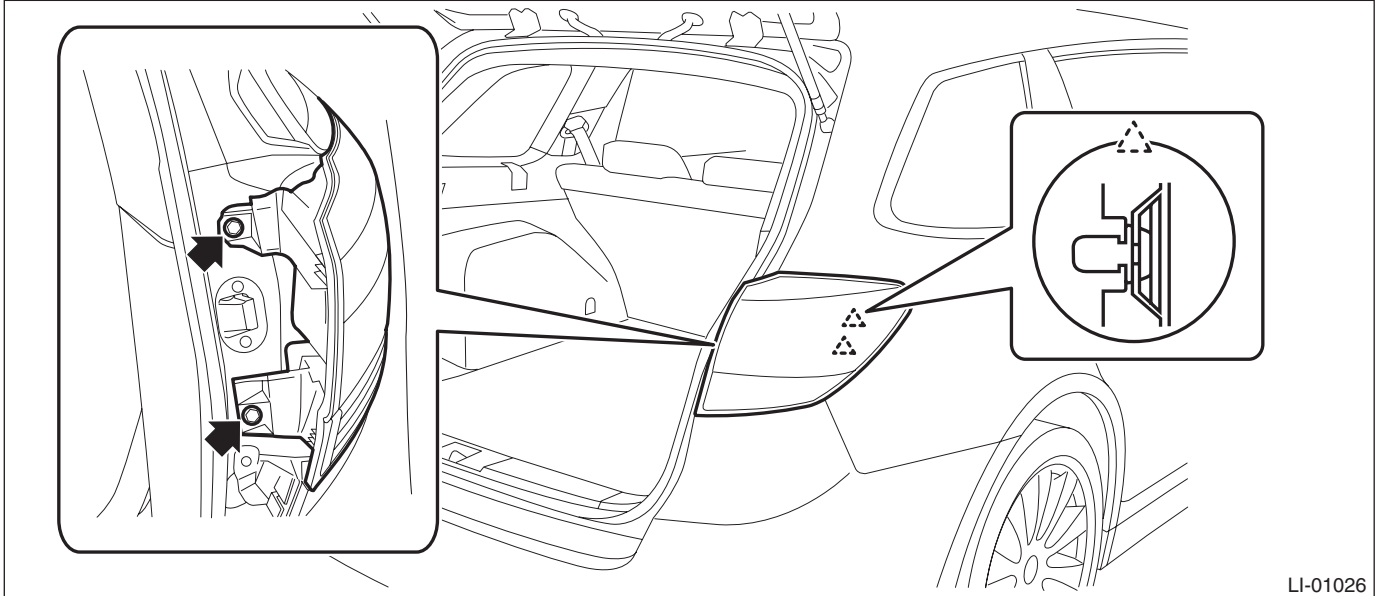
LIGHTING SYSTEM

3) Remove the rear combination light assembly.

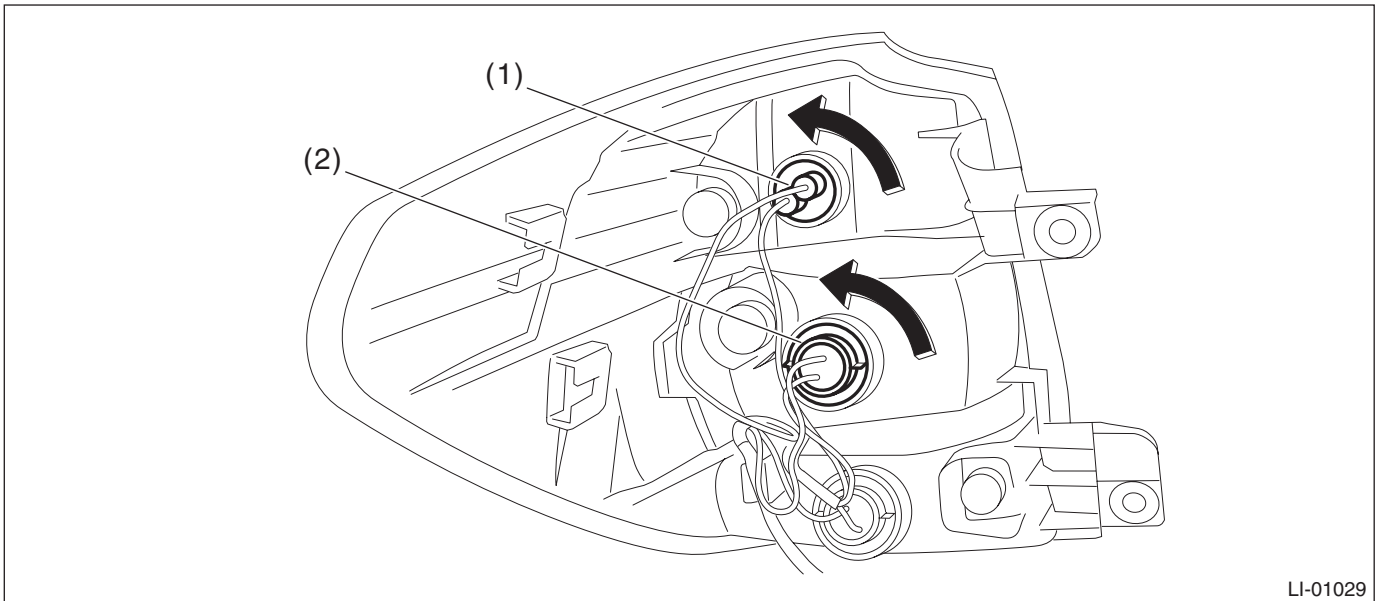
CAUTION:

Be careful not to damage the clips.

- (1) Release the bolts and clips, then pull out the rear combination light assembly to the vehicle rear.
- (2) Disconnect the connector and remove the rear combination light assembly.



4) Remove the bulb sockets and bulbs.

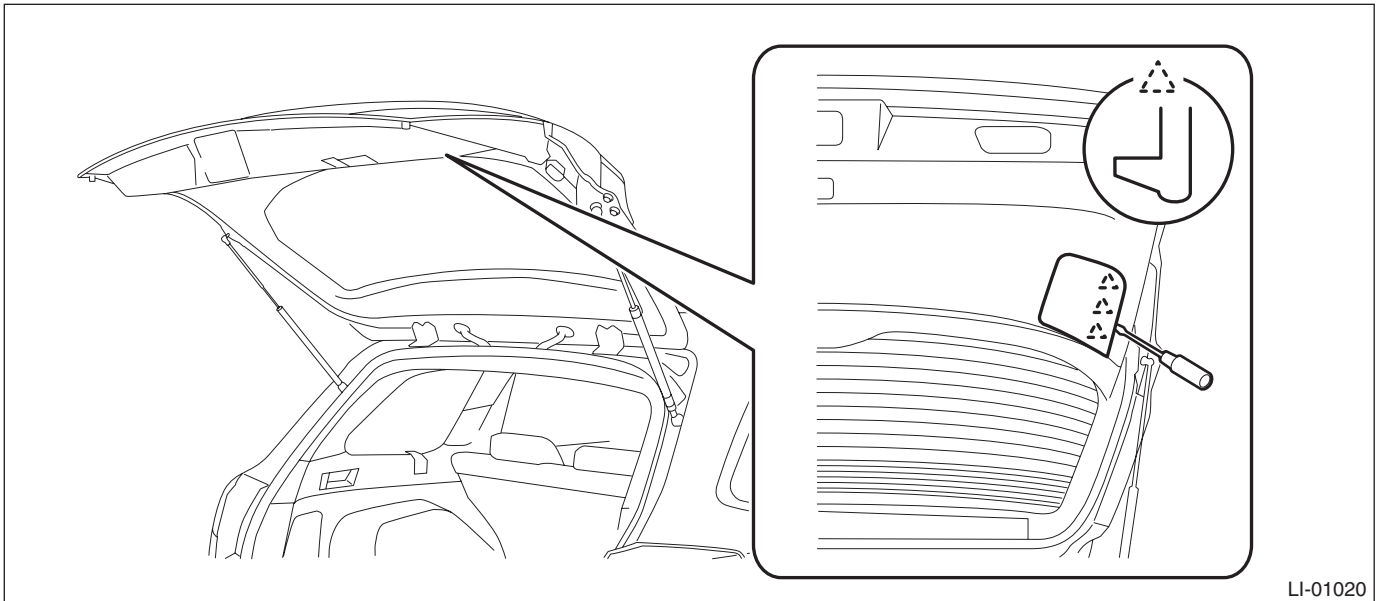


(1) Tail light bulb

(2) Stop light bulb

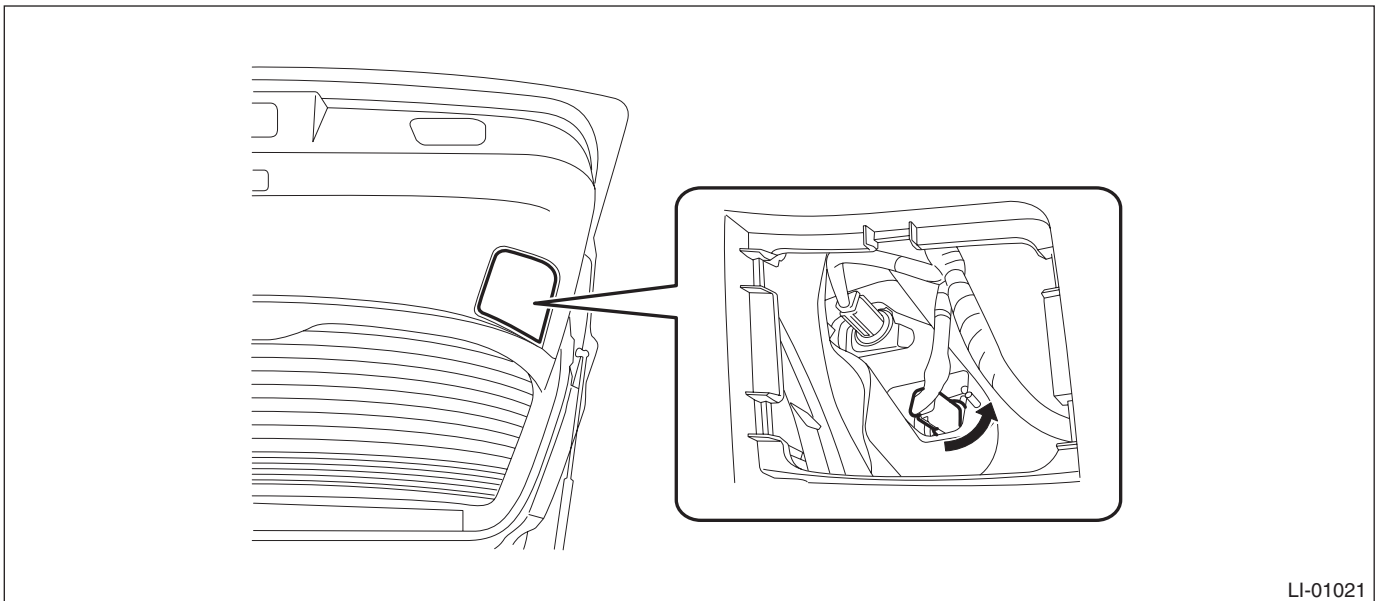
- **Rear finisher light side**

1) Release the claws and remove the bulb inspection cover of rear gate trim



LI-01020

2) Remove the bulb socket and tail light bulb.



LI-01021

B: INSTALLATION

Install each part in the reverse order of removal.

Tightening torque:

Rear combination light ASSY: 7.5 N·m (0.76 kgf·m, 5.5 ft·lb)

C: INSPECTION

- 1) Visually check the bulb for blow out.
- 2) Check the bulb specification. <Ref. to LI-2, SPECIFICATION, General Description.>
- 3) Replace the bulb if it is found defective.