

Rear Turn Signal Light Bulb

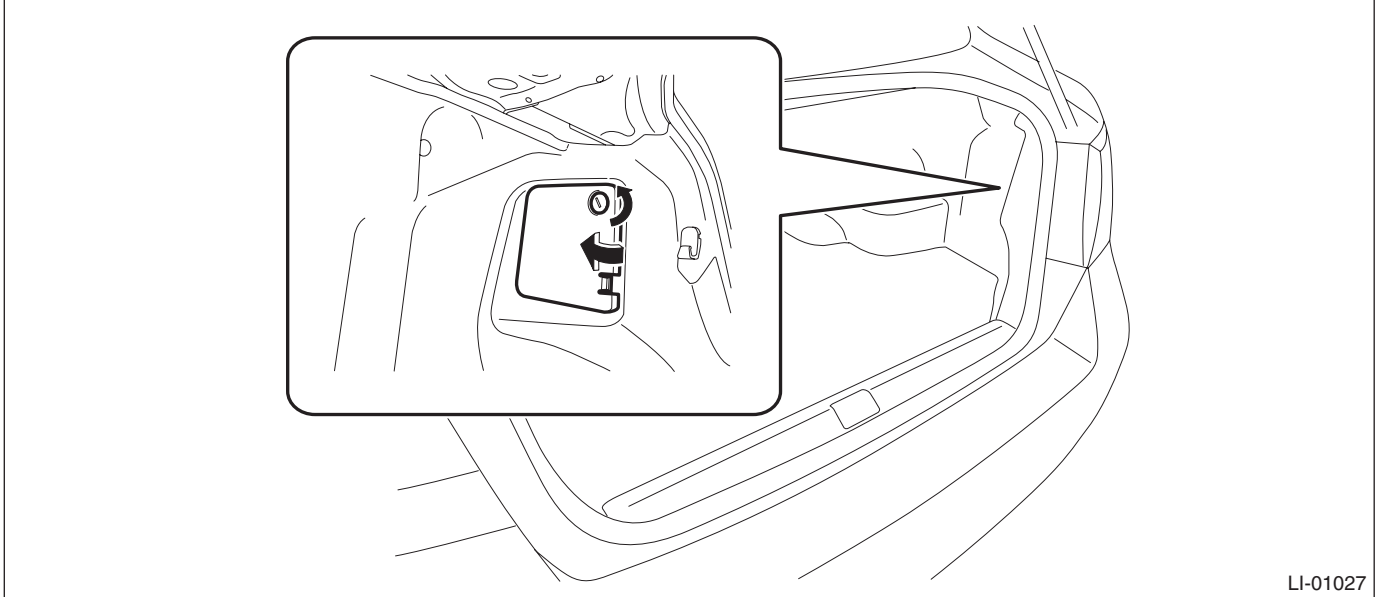
LIGHTING SYSTEM

23.Rear Turn Signal Light Bulb

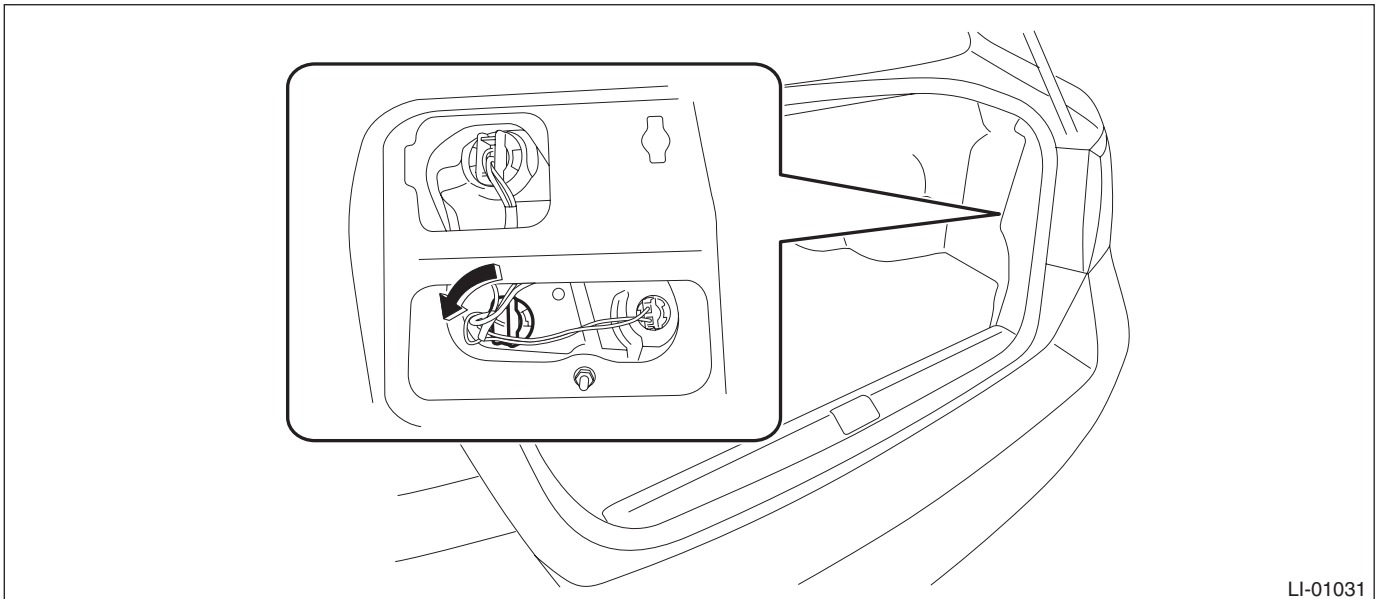
A: REMOVAL

1. SEDAN MODEL

- 1) Disconnect the ground cable from battery.
- 2) Release the lock and remove the bulb inspection cover of trunk room trim.

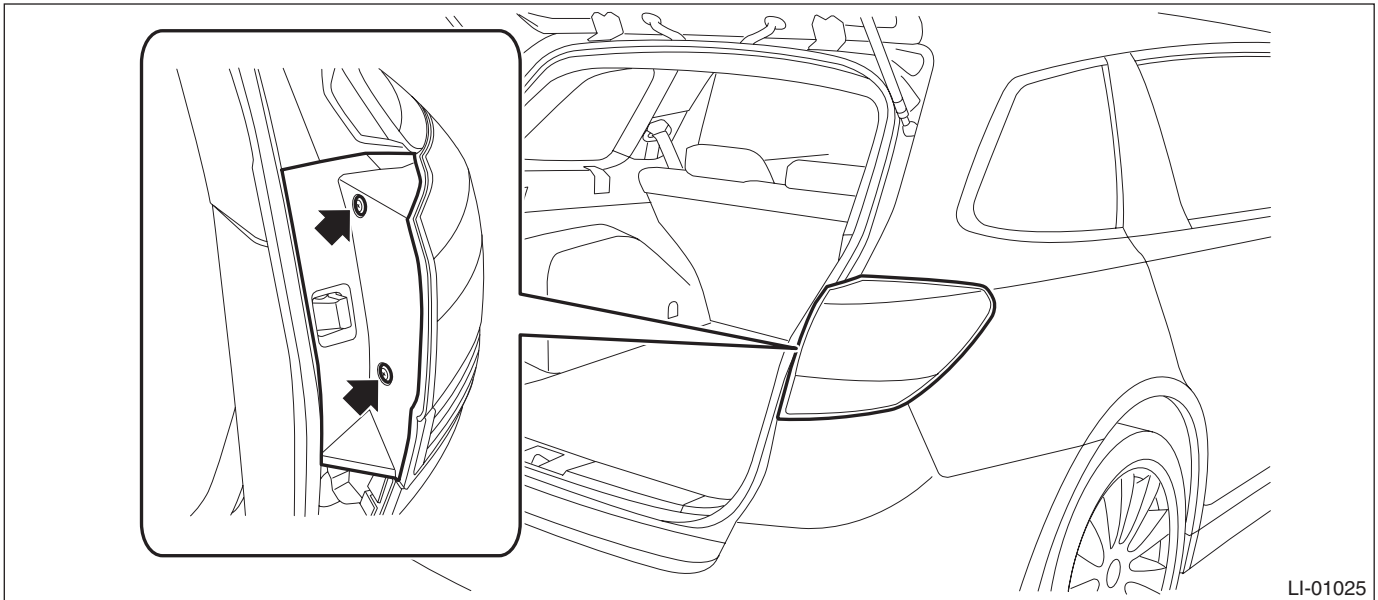


- 3) Remove the bulb socket and rear turn signal light bulb.



2. OUTBACK MODEL

- 1) Disconnect the ground cable from battery.
- 2) Remove the clips and detach the rear combination light covers.

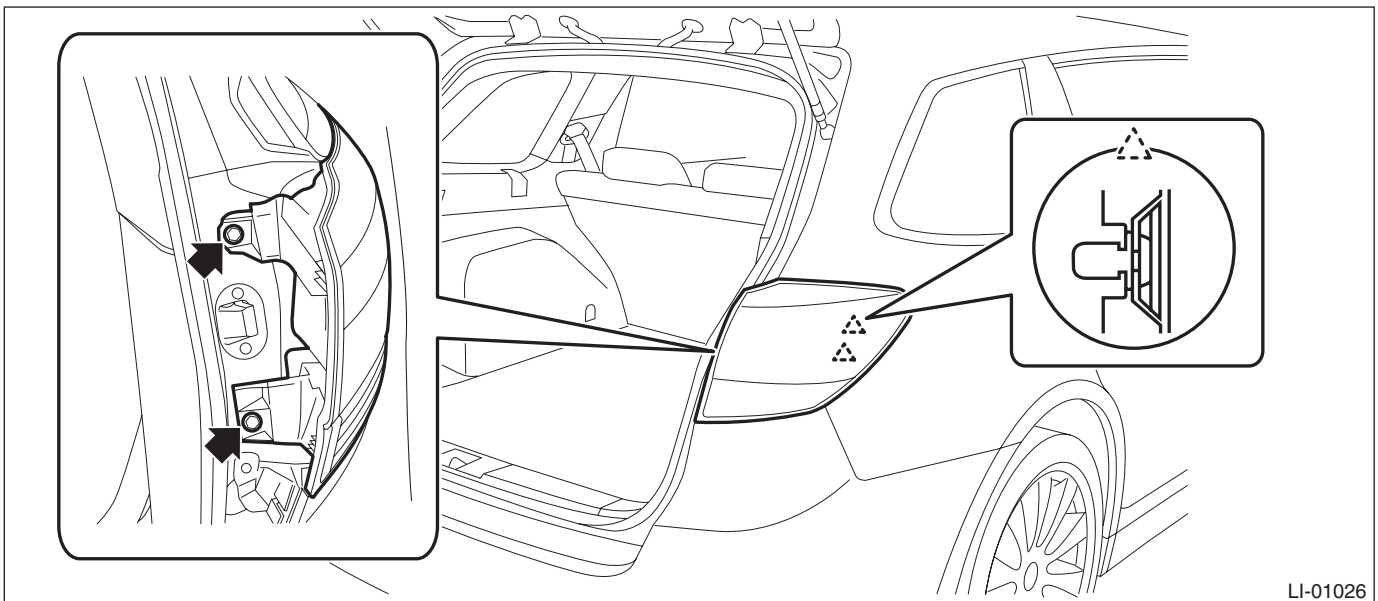


- 3) Remove the rear combination light assembly.

CAUTION:

Be careful not to damage the clips.

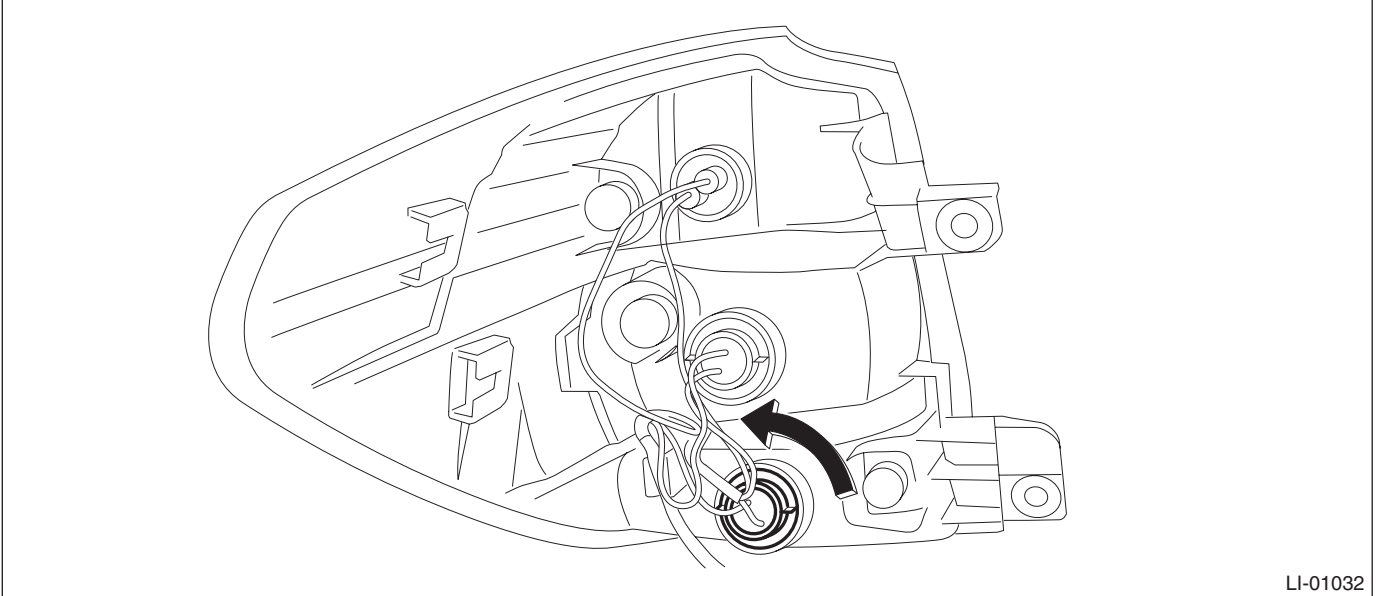
- (1) Release the bolts and clips, then pull out the rear combination light assembly to the vehicle rear.
- (2) Disconnect the connector and remove the rear combination light assembly.



Rear Turn Signal Light Bulb

LIGHTING SYSTEM

4) Remove the bulb socket and rear turn signal light bulb.



LI-01032

B: INSTALLATION

Install each part in the reverse order of removal.

Tightening torque:

Rear combination light ASSY: 7.5 N·m (0.76 kgf·m, 5.5 ft·lb)

C: INSPECTION

- 1) Visually check the bulb for blow out.
- 2) Check the bulb specification. <Ref. to LI-2, SPECIFICATION, General Description.>
- 3) Replace the bulb if it is found defective.