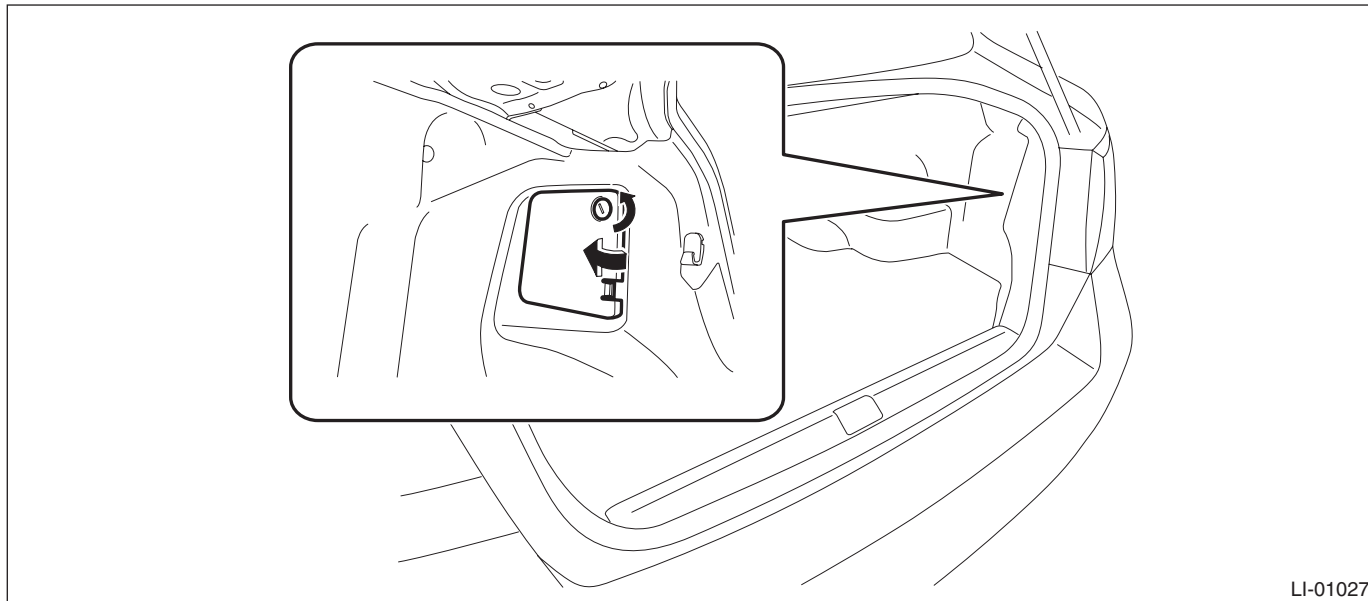


25. Back-up Light Bulb

A: REMOVAL

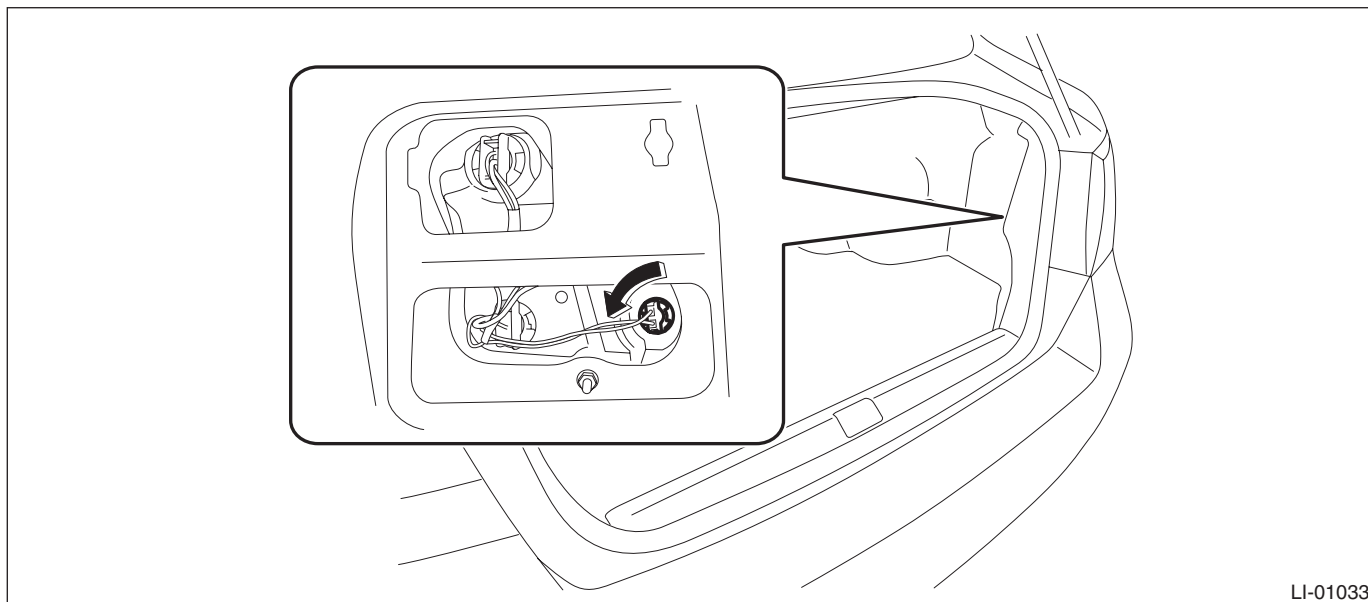
1. SEDAN MODEL

- 1) Disconnect the ground cable from battery.
- 2) Release the lock and remove the bulb inspection cover of trunk room trim.



LI-01027

- 3) Remove the bulb socket and back-up light bulb.



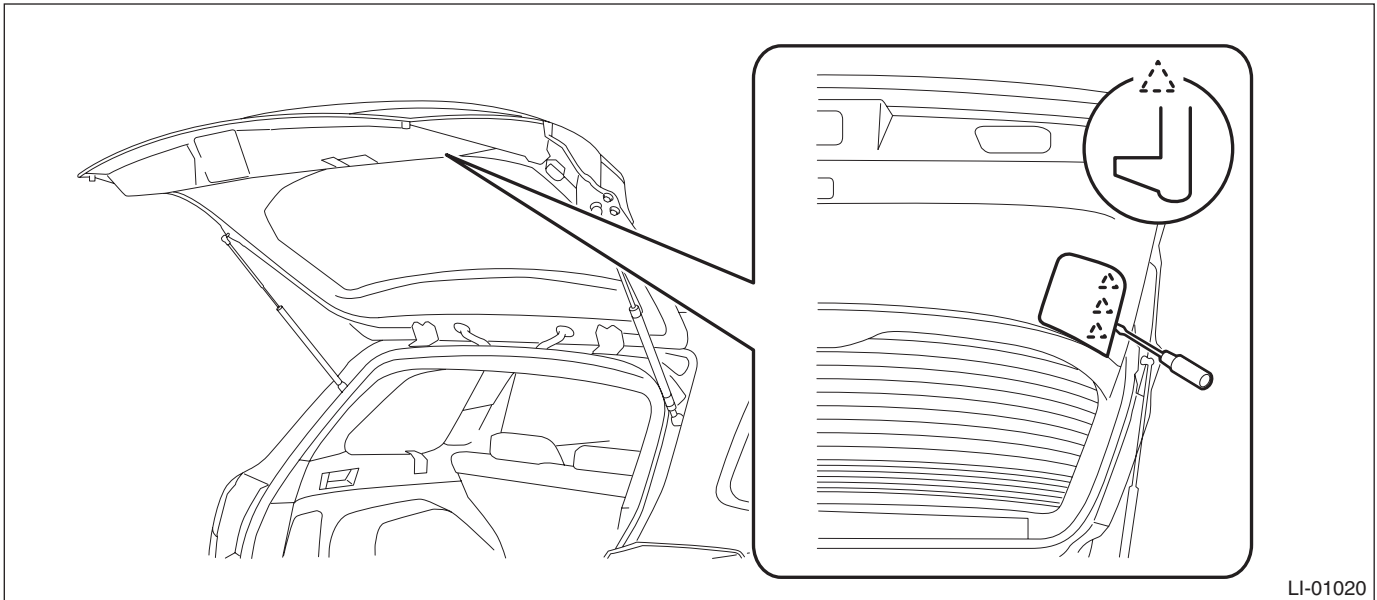
LI-01033

Back-up Light Bulb

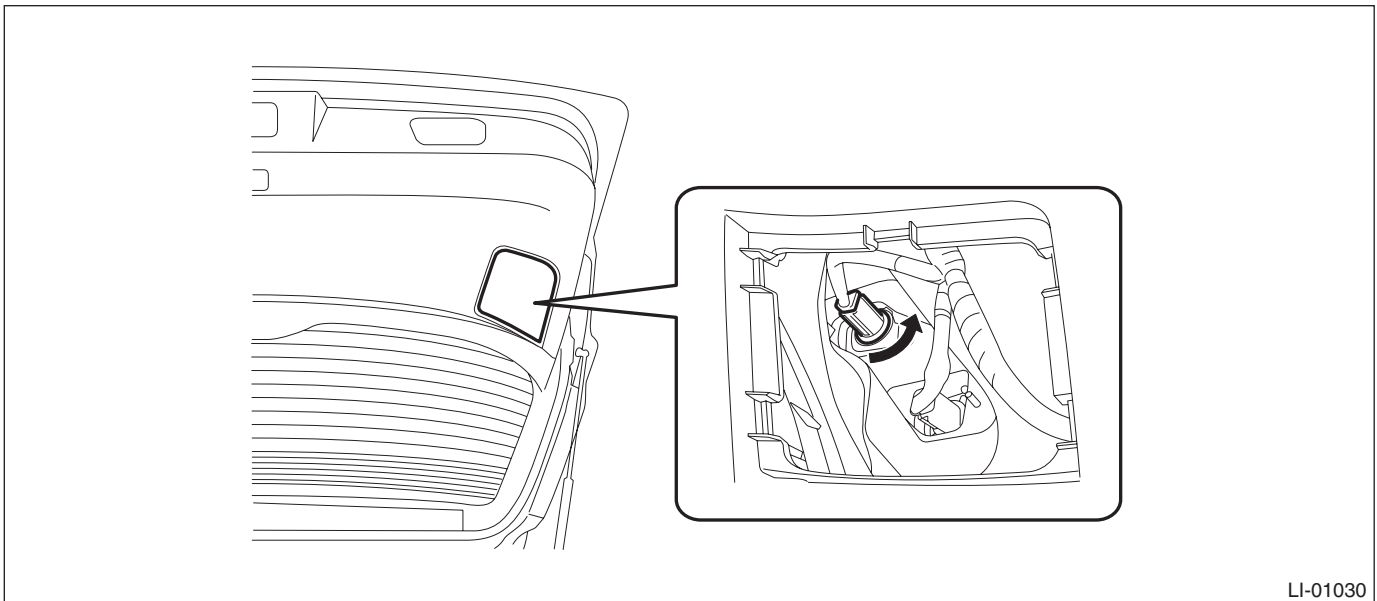
LIGHTING SYSTEM

2. OUTBACK MODEL

- 1) Disconnect the ground cable from battery.
- 2) Release the claws and remove the bulb inspection cover of rear gate trim



- 3) Remove the bulb socket and back-up light bulb.



B: INSTALLATION

Install each part in the reverse order of removal.

C: INSPECTION

- 1) Visually check the bulb for blow out.
- 2) Check the bulb specification. <Ref. to LI-2, SPECIFICATION, General Description.>
- 3) Replace the bulb if it is found defective.