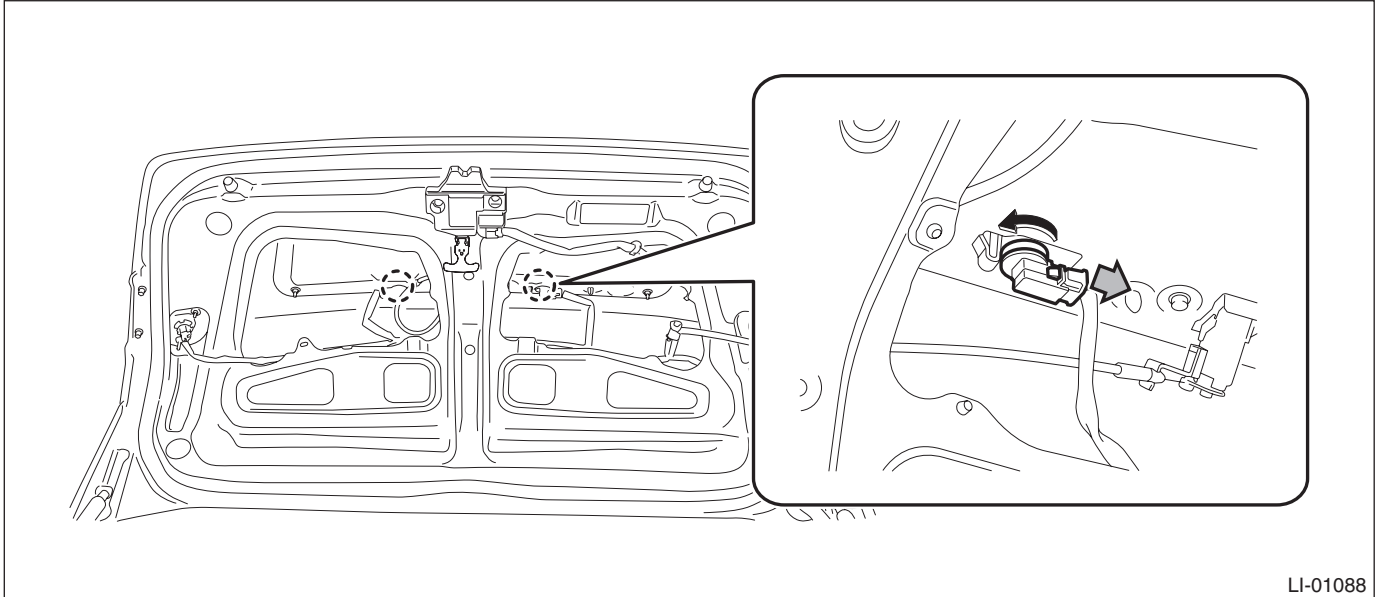


26. License Plate Light

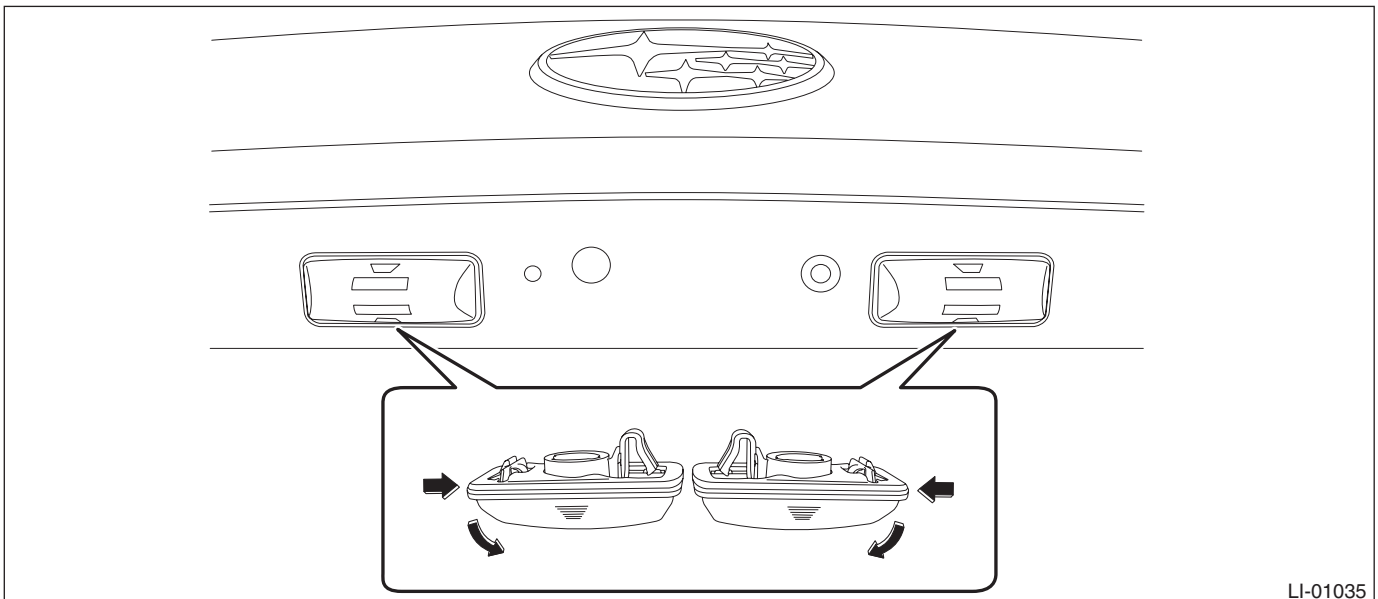
A: REMOVAL

1. SEDAN MODEL

- 1) Disconnect the ground cable from battery.
- 2) Remove the trunk lid trim. <Ref. to EI-130, TRUNK LID TRIM, REMOVAL, Trunk Room Trim.>
- 3) Remove the trunk lid garnish. <Ref. to EI-170, REMOVAL, Trunk Lid Garnish.>
- 4) Disconnect the connector and remove the bulb socket.



- 5) Remove the license plate light.

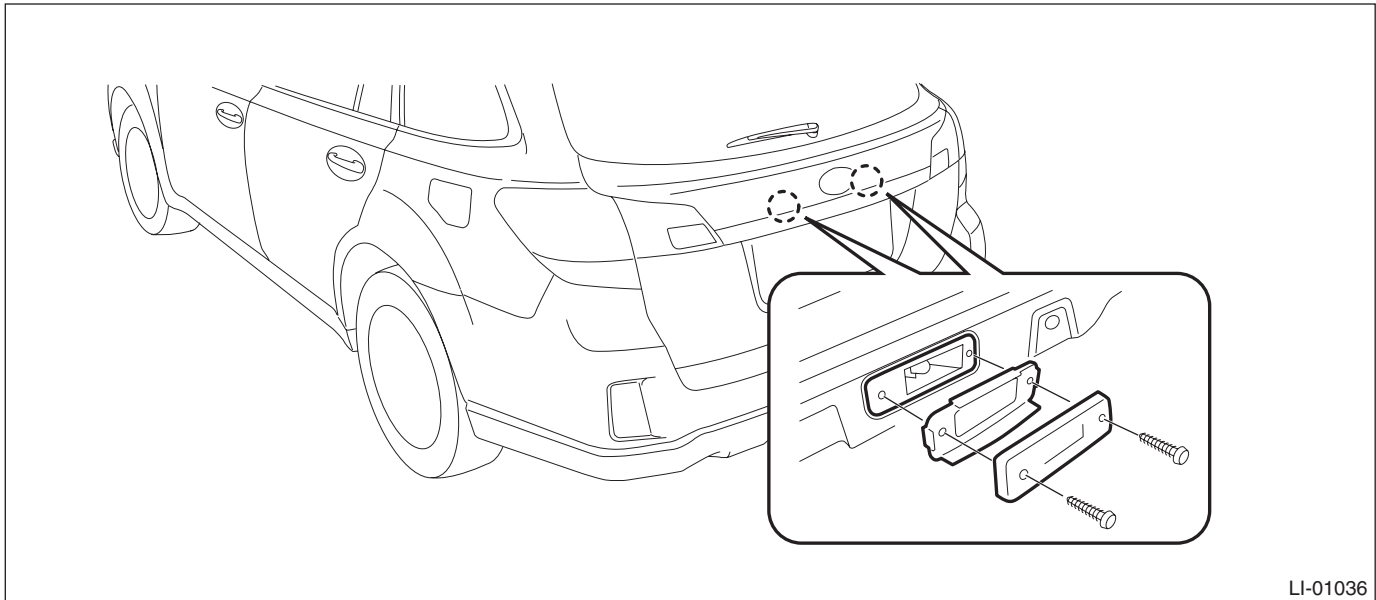


License Plate Light

LIGHTING SYSTEM

2. OUTBACK MODEL

- 1) Disconnect the ground cable from battery.
- 2) Remove the screws and remove the license plate light.



LI-01036

NOTE:

When removing the license plate light assembly harness, remove the following parts.

- Rear gate garnish: <Ref. to EI-171, REMOVAL, Rear Gate Garnish.>
- Rear gate opener button: <Ref. to SL-51, REMOVAL, Rear Gate Opener Button.>
- Rear lock button (model with keyless access): <Ref. to SL-100, REMOVAL, Rear Lock Button.>
- Rear exterior antenna connector (model with keyless access): <Ref. to SL-97, REAR ANTENNA, REMOVAL, Keyless Access Outdoor Antenna.>

B: INSTALLATION

Install each part in the reverse order of removal.

C: INSPECTION

- 1) Visually check the bulb for blow out.
- 2) Check the bulb specification. <Ref. to LI-2, SPECIFICATION, General Description.>
- 3) Replace the bulb if it is found defective.