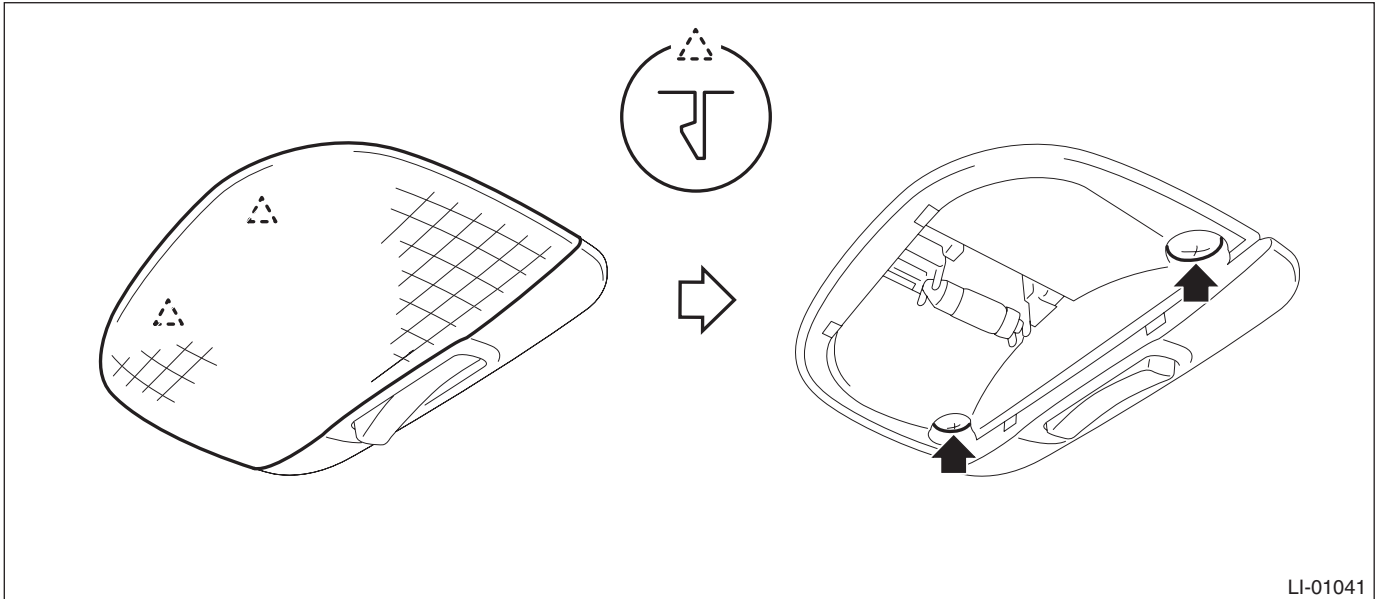


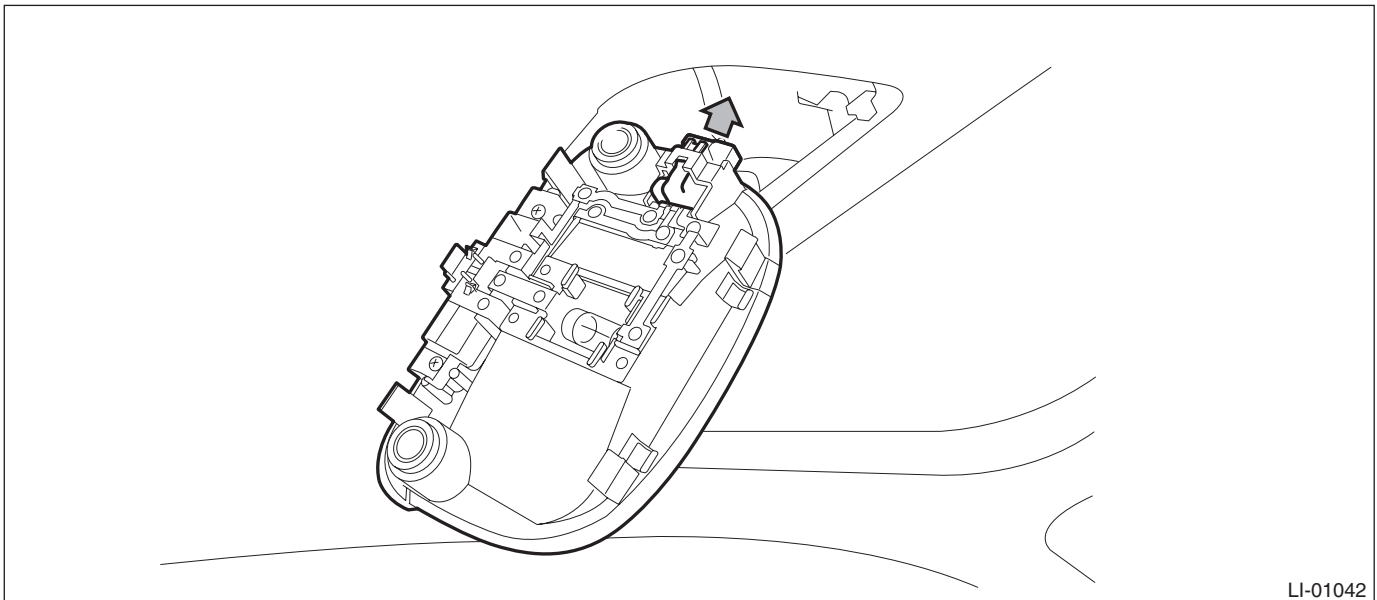
29.Room Light

A: REMOVAL

- 1) Disconnect the ground cable from battery.
- 2) Remove the room light.
 - (1) Release the claws and remove the cover.
 - (2) Remove the screws.



- (3) Disconnect the connector and remove the room light and bulb.



B: INSTALLATION

Install each part in the reverse order of removal.

Room Light

LIGHTING SYSTEM

C: INSPECTION

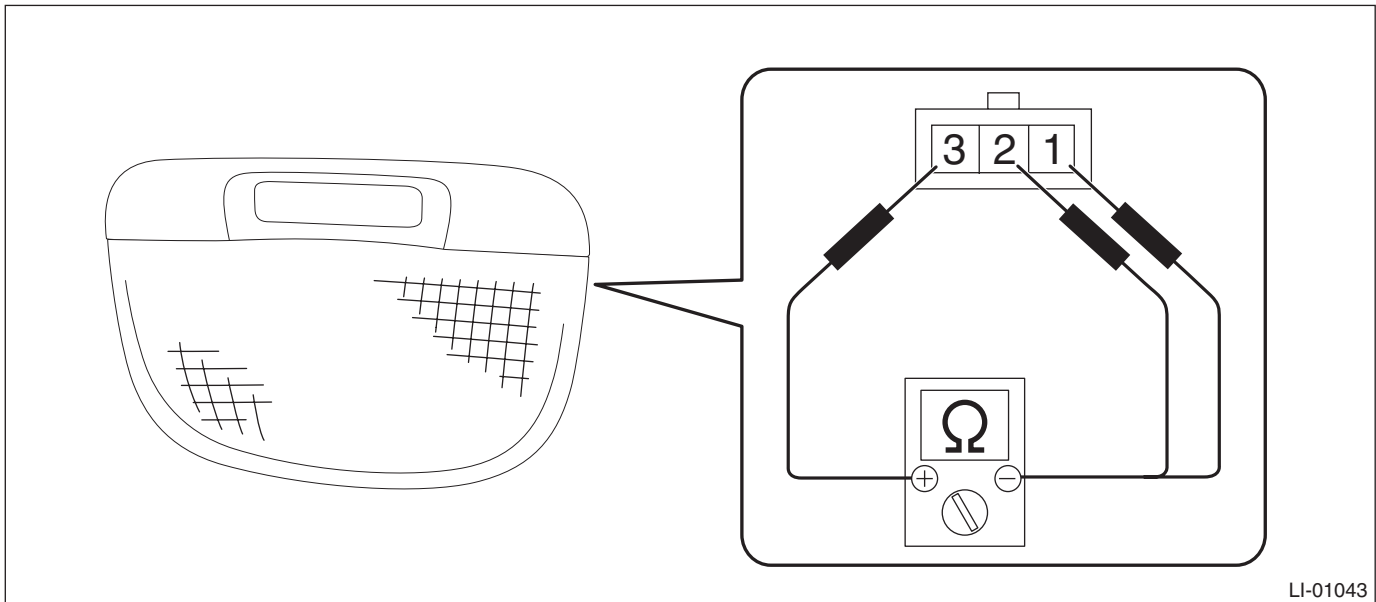
1. ROOM LIGHT BULB

- 1) Visually check the bulb for blow out.
- 2) Check the bulb specification. <Ref. to LI-2, SPECIFICATION, General Description.>
- 3) Replace the bulb if it is found defective.

2. ROOM LIGHT SWITCH

- 1) Remove the room light.
- 2) Measure the resistance between room light switch terminals.

Preparation tool:
Circuit tester



LI-01043

Terminal No.	Inspection Conditions	Standard
—	Switch OFF	1 MΩ or more
1 — 3	Switch ON	Less than 1 Ω
2 — 3	Switch door	Less than 1 Ω

- 3) Apply battery voltage to check the lighting condition of room light.

Terminal No.	Inspection Conditions	Specification
3 (+) — 1, 2 (-)	Switch OFF	Light OFF
	Switch ON	Light ON
	Switch door	Light ON

- 4) Replace the room light if the inspection result is not within the standard value.