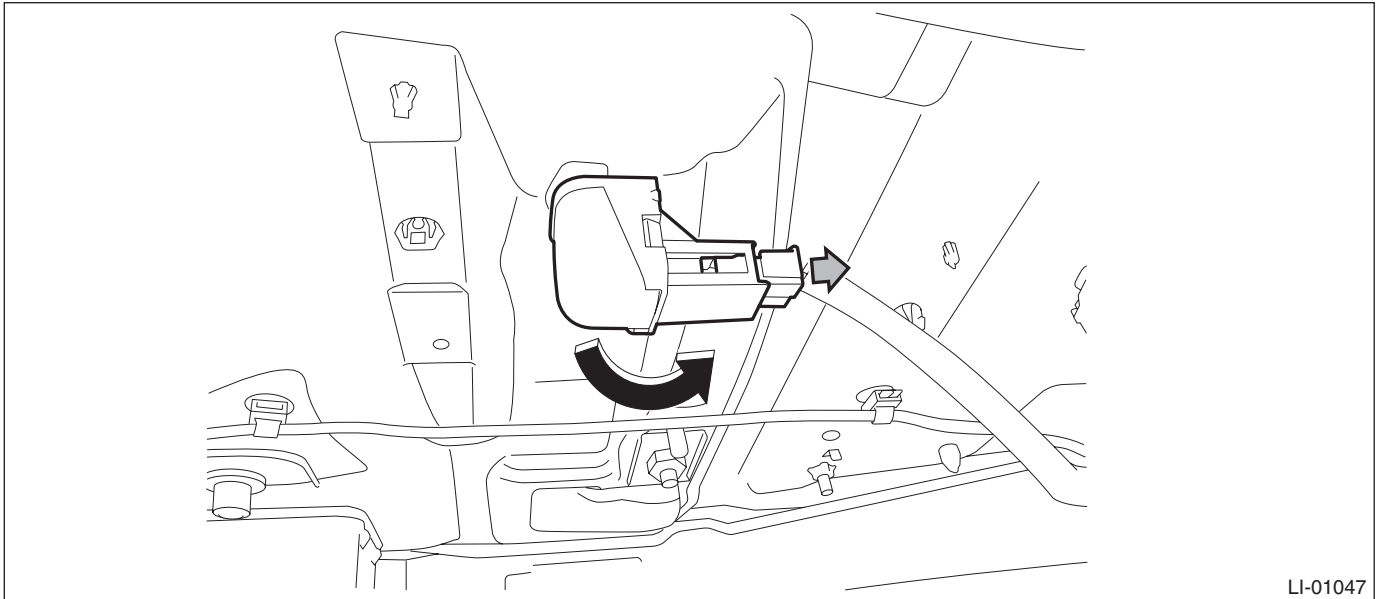


31.Trunk Room Light

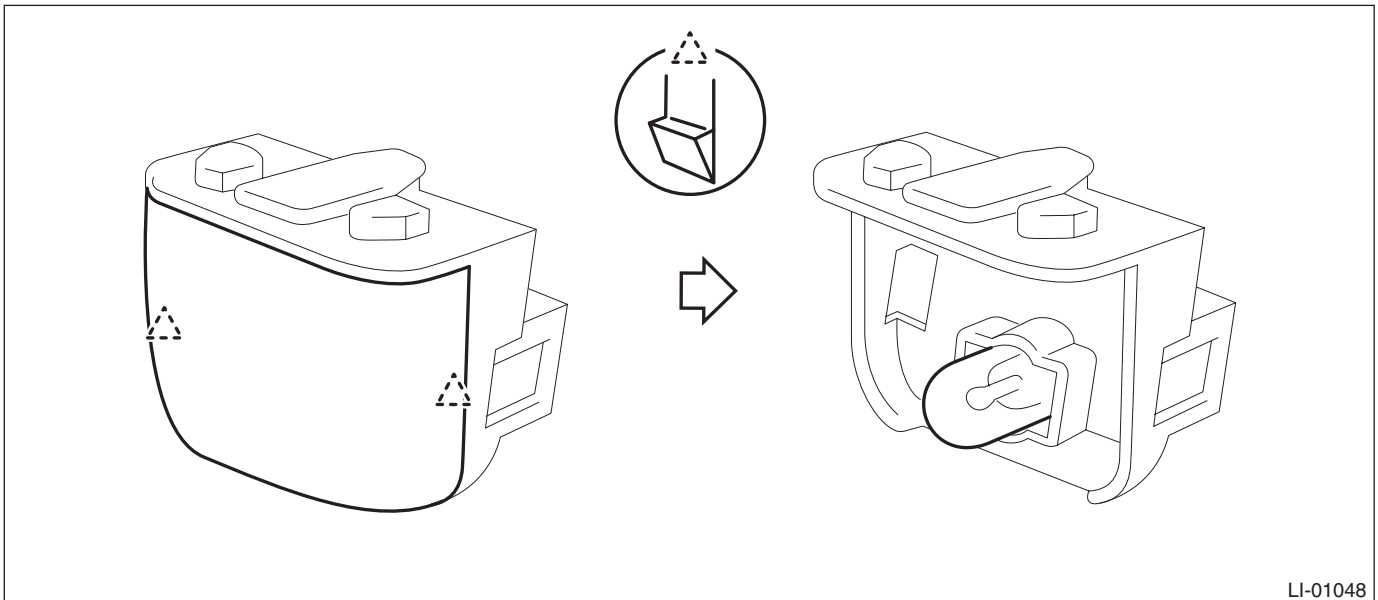
A: REMOVAL

- 1) Disconnect the ground cable from battery.
- 2) Remove the trunk room light
 - (1) Disconnect the connector.
 - (2) Turn the trunk room light counterclockwise to 60° and remove the light.



LI-01047

- 3) Release the claws, and detach the trunk room light cover and bulb.



LI-01048

B: INSTALLATION

Install each part in the reverse order of removal.

C: INSPECTION

- 1) Visually check the bulb for blow out.
- 2) Check the bulb specification. <Ref. to LI-2, SPECIFICATION, General Description.>
- 3) Replace the bulb if it is found defective.