

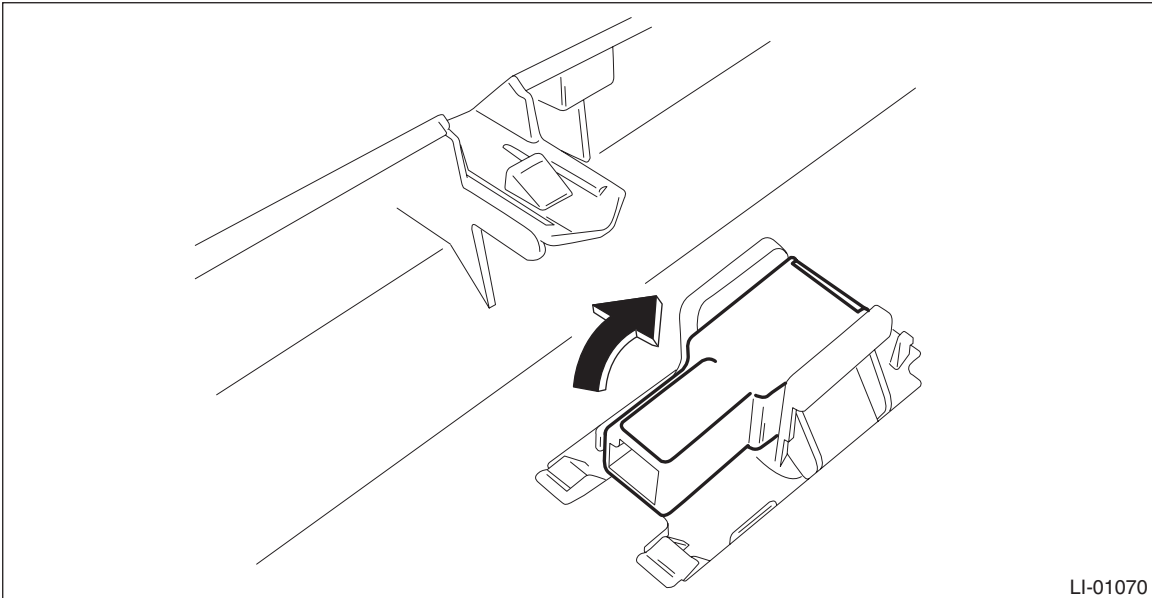
# Glove Box Light

LIGHTING SYSTEM

## 32. Glove Box Light

### A: REMOVAL

- 1) Disconnect the ground cable from battery.
- 2) Remove the glove box. <Ref. to EI-65, REMOVAL, Glove Box.>
- 3) Remove the glove box light from the glove box back panel.



### B: INSTALLATION

Install each part in the reverse order of removal.

### C: INSPECTION

- 1) Install the glove box light and test if it illuminates normally.
- 2) If it is found not to illuminate normally, replace the glove box light with a new part.

#### NOTE:

Since LED (Light Emitting Diode) is used for the glove box light, replace the glove box light assembly if the LED burns out.