

# Airbag Connector

## OCCUPANT DETECTION SYSTEM (DIAGNOSTICS)

---

### 5. Airbag Connector

#### A: PROCEDURE

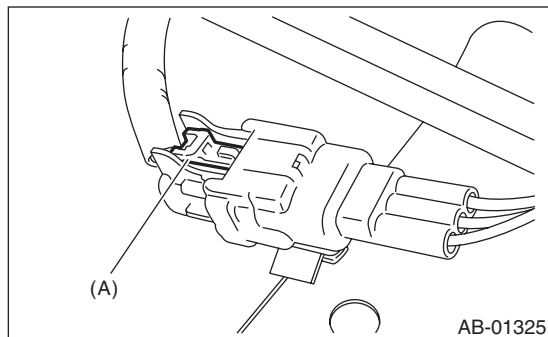
##### 1. OCCUPANT DETECTION SYSTEM (BETWEEN AIRBAG REAR HARNESS AND SEAT HARNESS)

1) How to disconnect:

Push the lock arm (A), and disconnect the connector.

#### CAUTION:

**When pulling the slide lock or disconnecting connector, be sure to hold the connector, not the harness.**



2) How to connect:

Holding the connector, push it in securely until a clicking sound is heard.

#### CAUTION:

**Be sure to insert the connector in until it is locked. Then pull it gently to make sure that it is locked.**

##### 2. AIRBAG CONTROL MODULE

Refer to Airbag System section. <Ref. to AB-20, AIRBAG CONTROL MODULE, PROCEDURE, Airbag Connector.>

##### 3. BUCKLE SWITCH RH

Refer to Airbag System section. <Ref. to AB-29, BUCKLE SWITCH RH, PROCEDURE, Airbag Connector.>