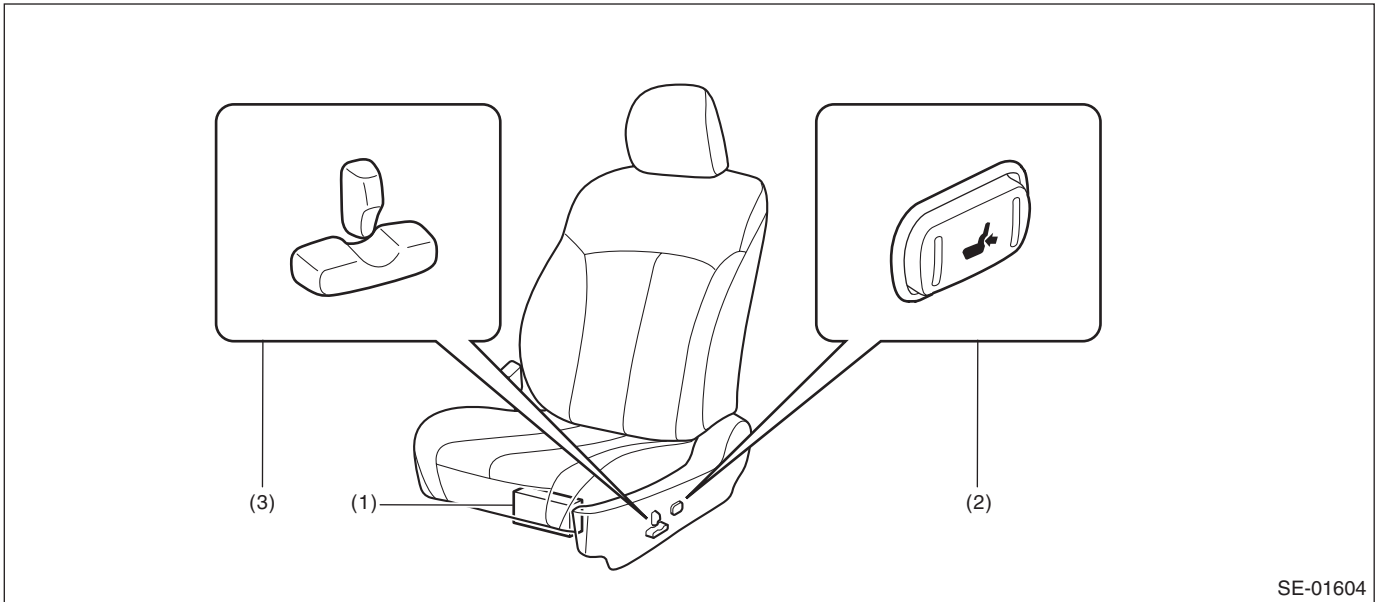


# Electrical Component Location

POWER SEAT MEMORY SYSTEM (DIAGNOSTICS)

## 4. Electrical Component Location

### A: LOCATION

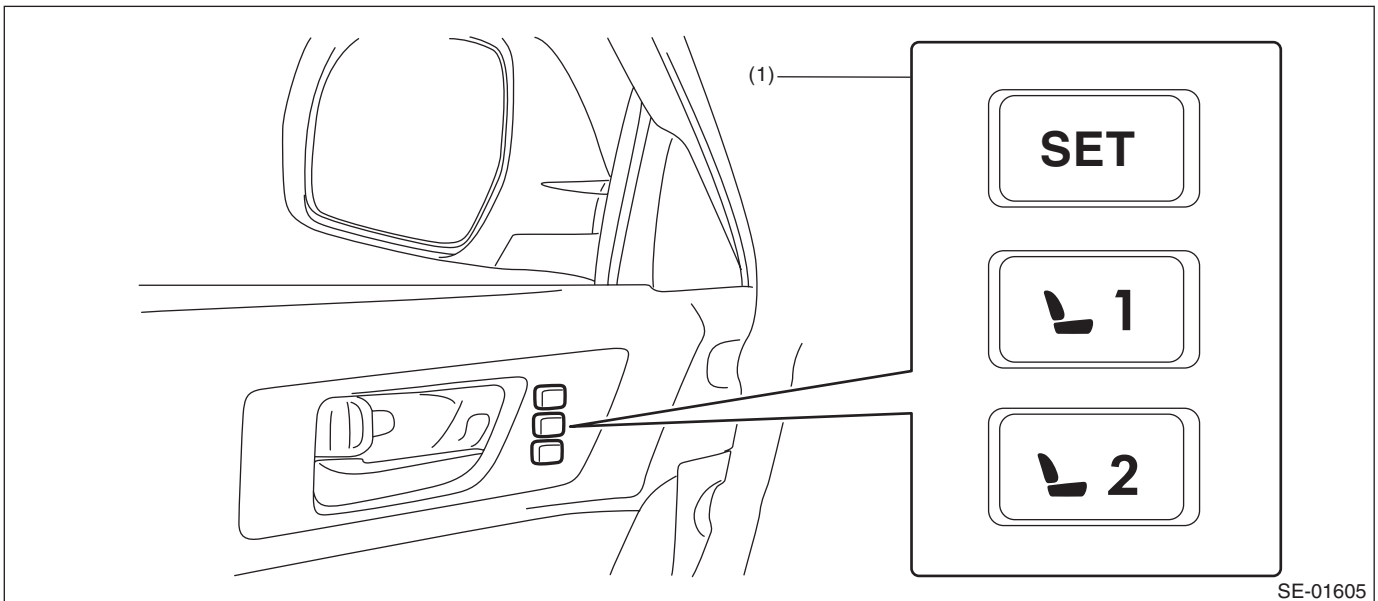


SE-01604

(1) Power seat control module

(2) Lumbar switch

(3) Power seat switch

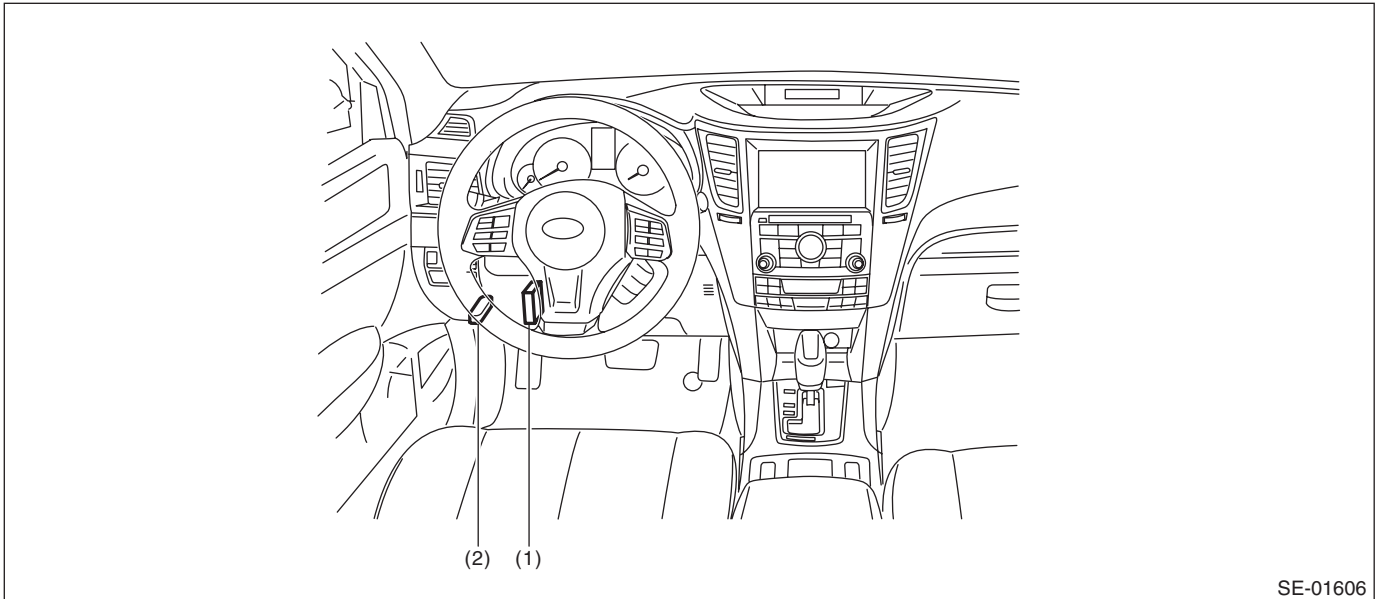


SE-01605

(1) Seat memory switch

# Electrical Component Location

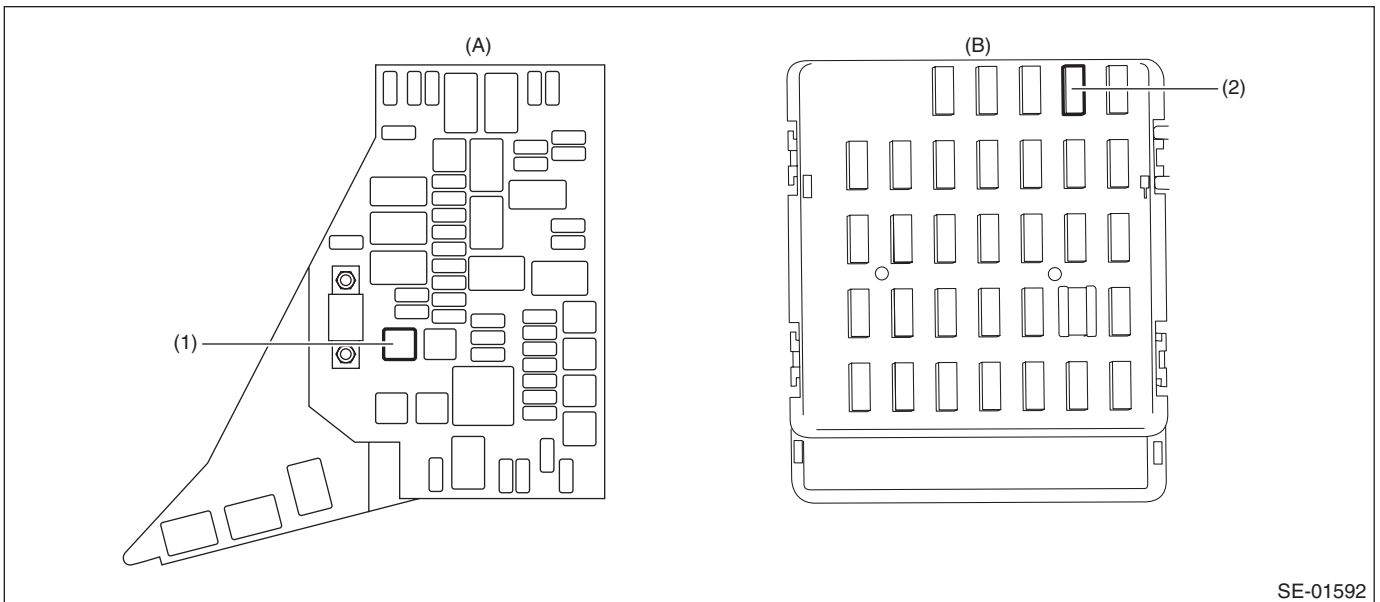
## POWER SEAT MEMORY SYSTEM (DIAGNOSTICS)



SE-01606

(1) Body integrated unit

(2) Data link connector



SE-01592

(A) Engine compartment fuse box

(B) Interior fuse & relay box

(1) Fuse (30A)

(2) Fuse (7.5A)