

# Subaru Select Monitor

## POWER SEAT MEMORY SYSTEM (DIAGNOSTICS)

### 6. Subaru Select Monitor

#### A: OPERATION

- For operation procedures, refer to the “PC application help for Subaru Select Monitor”.
- When the power seat control module cannot communicate with Subaru Select Monitor, perform “COMMUNICATION FOR INITIALIZING IMPOSSIBLE”.

#### B: INSPECTION

##### 1. COMMUNICATION FOR INITIALIZING IMPOSSIBLE

When communication with power seat control module is impossible

##### DETECTING CONDITION:

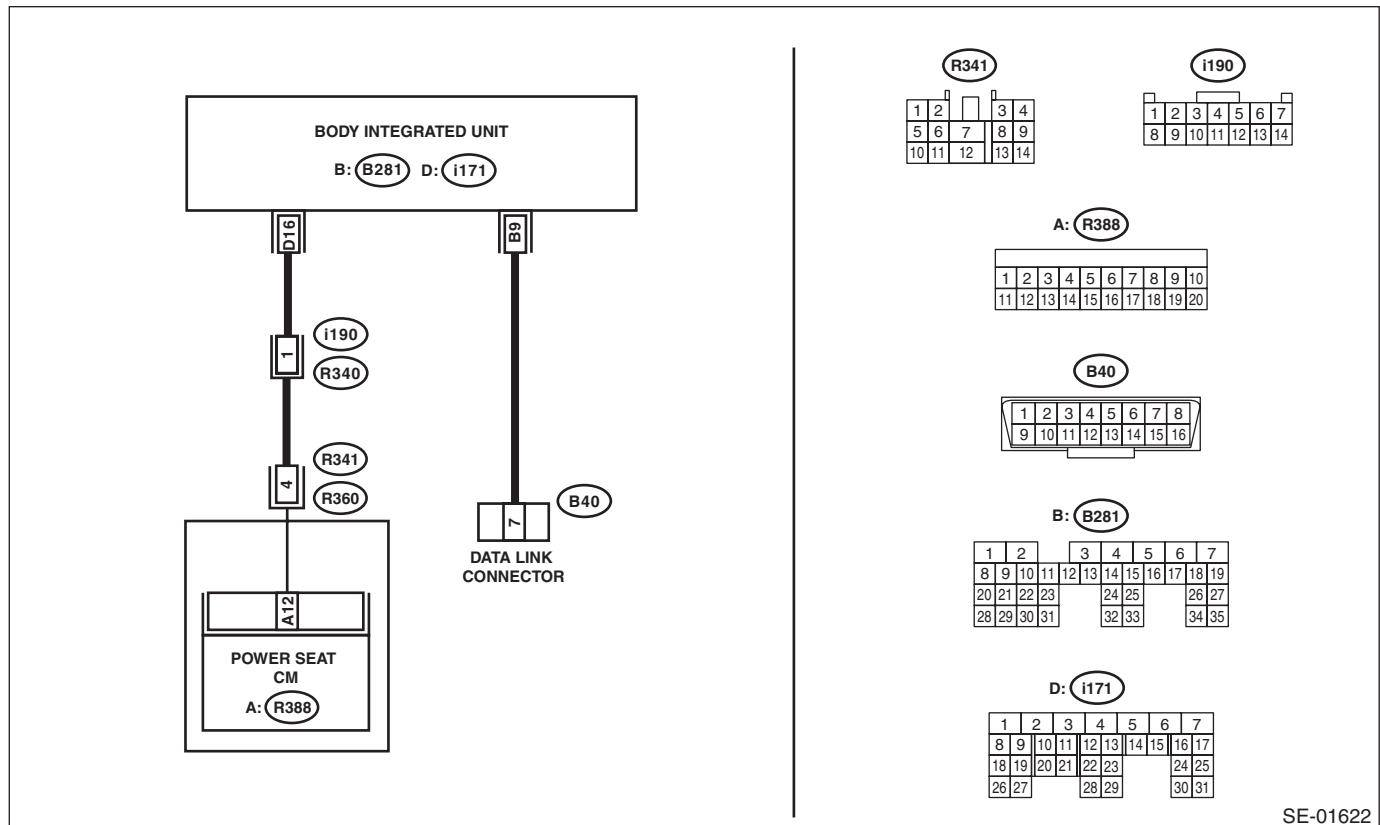
- Defective harness connector
- Power supply circuit malfunction
- Defective power seat control module
- Body integrated unit malfunctioning
- Defective LIN communication circuit
- Defective Subaru Select Monitor

##### TROUBLE SYMPTOM:

Communication is impossible between the power seat control module and Subaru Select Monitor.

##### WIRING DIAGRAM:

Power seat system <Ref. to WI-235, WITH MEMORY, WIRING DIAGRAM, Power Seat System.>



SE-01622

# Subaru Select Monitor

## POWER SEAT MEMORY SYSTEM (DIAGNOSTICS)

Step	Check	Yes	No
<b>1 CHECK OTHER COMMUNICATION.</b> Perform communication with the system other than the power seat control module using the Subaru Select Monitor.	Is the communication to other control module possible?	Go to step 2.	Perform the "Communication for Initializing Impossible" of LAN system. <Ref. to LAN(diag)-2, PROCEDURE, Basic Diagnostic Procedure.>
<b>2 CHECK LAN SYSTEM.</b> Read the DTC of the LAN system using the Subaru Select Monitor.	Is a DTC related to LIN communication detected?	Perform the diagnosis according to DTC.	Go to step 3.
<b>3 CHECK FOR POOR CONTACT.</b> 1) Turn the ignition switch to OFF. 2) Disconnect the connector of power seat control module. 3) Disconnect the connector of body integrated unit. 4) Connect the disconnected connectors. 5) Perform communication with the power seat control module using the Subaru Select Monitor.	Is communication possible?	It is possible that temporary poor communication occurs.	Replace the power seat control module. <Ref. to SE-60, POWER SEAT CONTROL MODULE (SEAT WITH MEMORY FUNCTION), REMOVAL, Power Seat System.>