

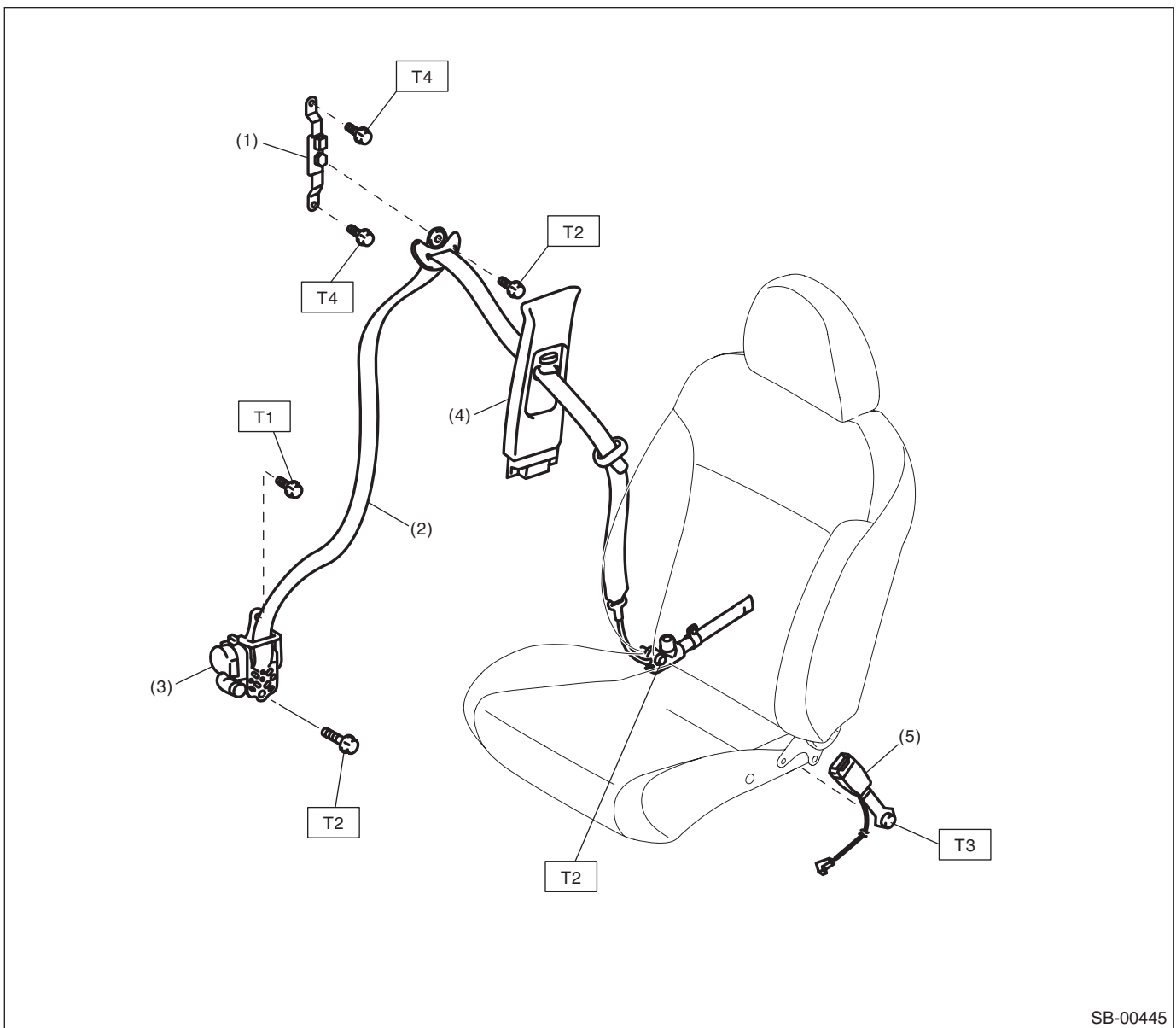
General Description

SEAT BELT SYSTEM

1. General Description

A: COMPONENT

1. FRONT SEAT BELT



- | | |
|--|----------------------------|
| (1) Adjustable anchor ASSY | (4) Center pillar trim UPR |
| (2) Outer belt ASSY | (5) Inner belt ASSY |
| (3) Seat belt retractor ASSY (outer belt ASSY) | |

Tightening torque: N·m (kgf·m, ft·lb)

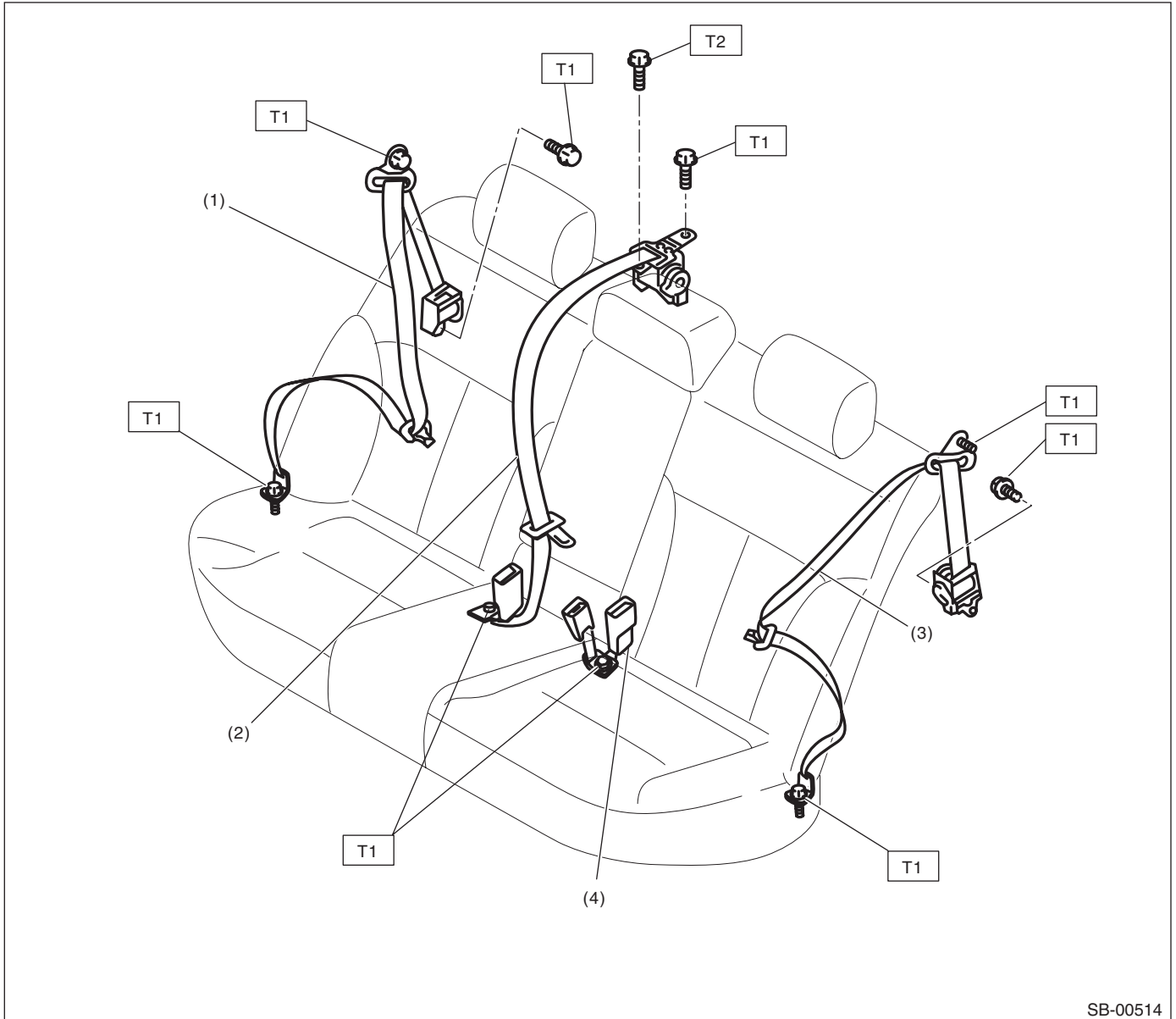
T1: 7.5 (0.76, 5.5)

T2: 30 (3.06, 22.1)

T3: 38 (3.87, 28.0)

T4: 53 (5.40, 39.1)

2. REAR SEAT BELT (SEDAN MODEL)



- | | |
|----------------------------|-------------------------|
| (1) Outer belt ASSY RH | (3) Outer belt ASSY LH |
| (2) Shoulder belt ASSY CTR | (4) Center belt ASSY LH |

Tightening torque: N·m (kgf·m, ft·lb)

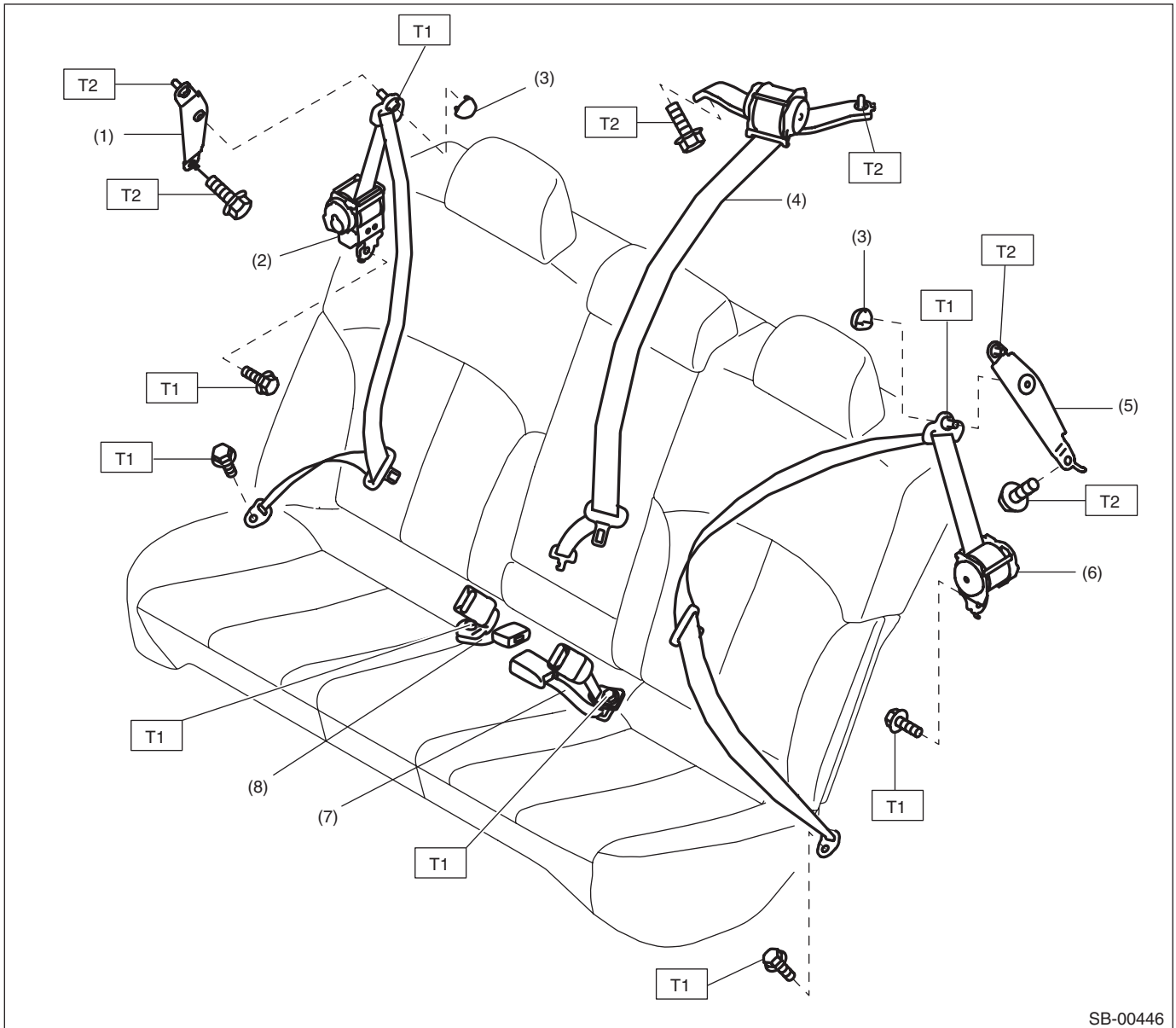
T1: 30 (3.06, 22.1)

T2: 53 (5.40, 39.1)

General Description

SEAT BELT SYSTEM

3. REAR SEAT BELT (OUTBACK MODEL)



SB-00446

- | | |
|--------------------------------|--------------------------------|
| (1) Shoulder anchor bracket RH | (5) Shoulder anchor bracket LH |
| (2) Outer belt ASSY RH | (6) Outer belt ASSY LH |
| (3) Shoulder anchor cover | (7) Center belt ASSY LH |
| (4) Shoulder belt ASSY CTR | (8) Center belt ASSY RH |

Tightening torque: N·m (kgf·m, ft·lb)

T1: 30 (3.06, 22.1)

T2: 53 (5.40, 39.1)

B: CAUTION

- Before starting the work, turn the ignition switch to OFF, disconnect the battery ground cable and wait for 60 seconds or more.
- The pretensioner system is fitted with a backup power supply. After disconnecting the battery ground cable, the pretensioner may operate if you do not wait for 60 seconds or more before starting pretensioner system servicing.
- Do not drop or apply any impact to the pretensioner.
- If oil, grease or water gets on the pretensioner, wipe it off immediately with a dry cloth.
- Do not expose the pretensioner to high temperature or flame.
- Do not allow current to flow through or voltage to reach the pretensioner. Do not use a circuit tester to check resistance of the pretensioner.
- Do not disassemble or attempt to repair the pretensioner. If it is dented, cracked or deformed, replace it with a new genuine part.
- Do not use the airbag or pretensioner parts from other vehicles. Always use a new genuine part for replacement.
- When handling a seat belt with deployed pretensioner, wear gloves and goggles. Wash your hands afterwards.
- Do not reuse a seat belt with deployed pretensioner.
- Before disposal, make sure to perform an operation process to the pretensioners.
- If material from the pretensioner enters the eyes or contacts skin during operation process, wash it away with clean water, and then consult a doctor.

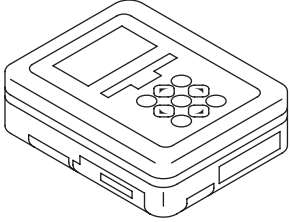
General Description

SEAT BELT SYSTEM

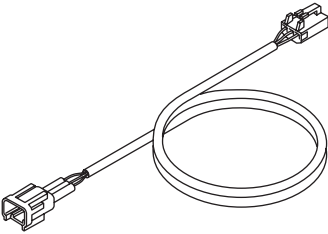
C: PREPARATION TOOL

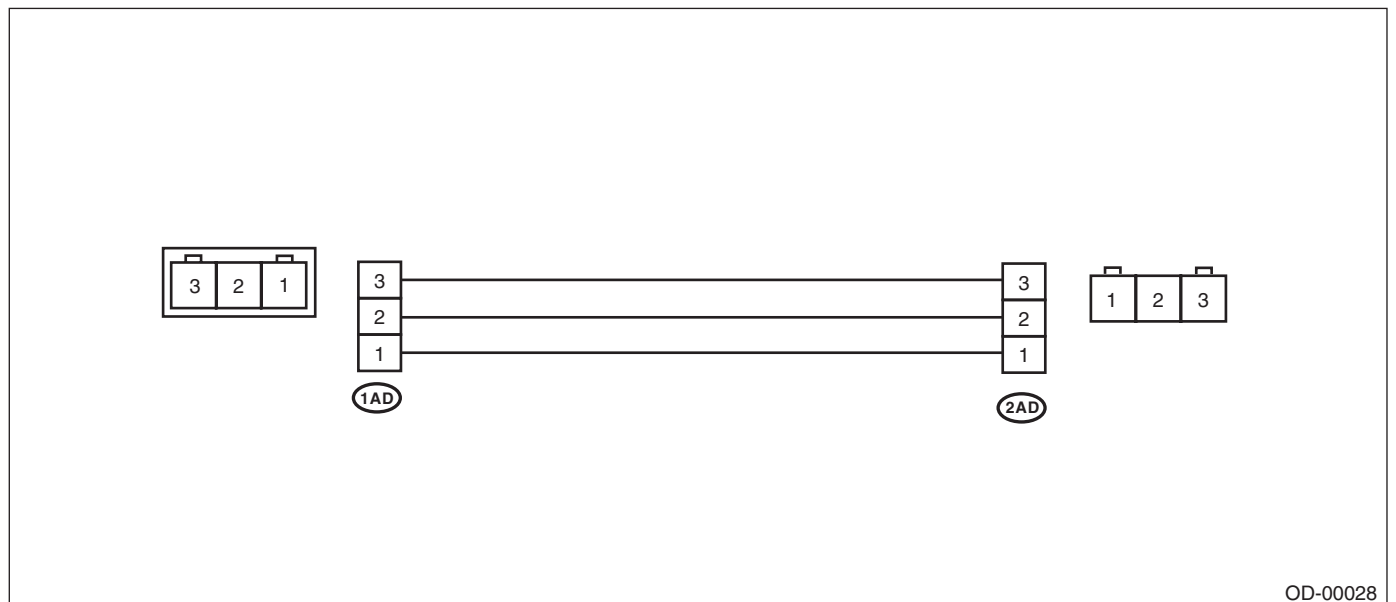
1. SPECIAL TOOL

- Subaru Select Monitor

ILLUSTRATION	TOOL NUMBER	DESCRIPTION	REMARKS
 <p>ST1B022XU0</p>	1B022XU0	SUBARU SELECT MONITOR III KIT	Used for setting of each function and trouble-shooting for electrical system.

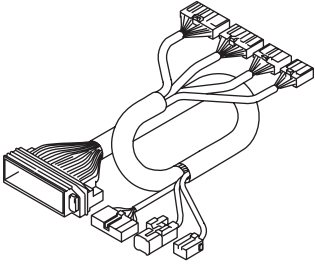
- TEST HARNESS AD

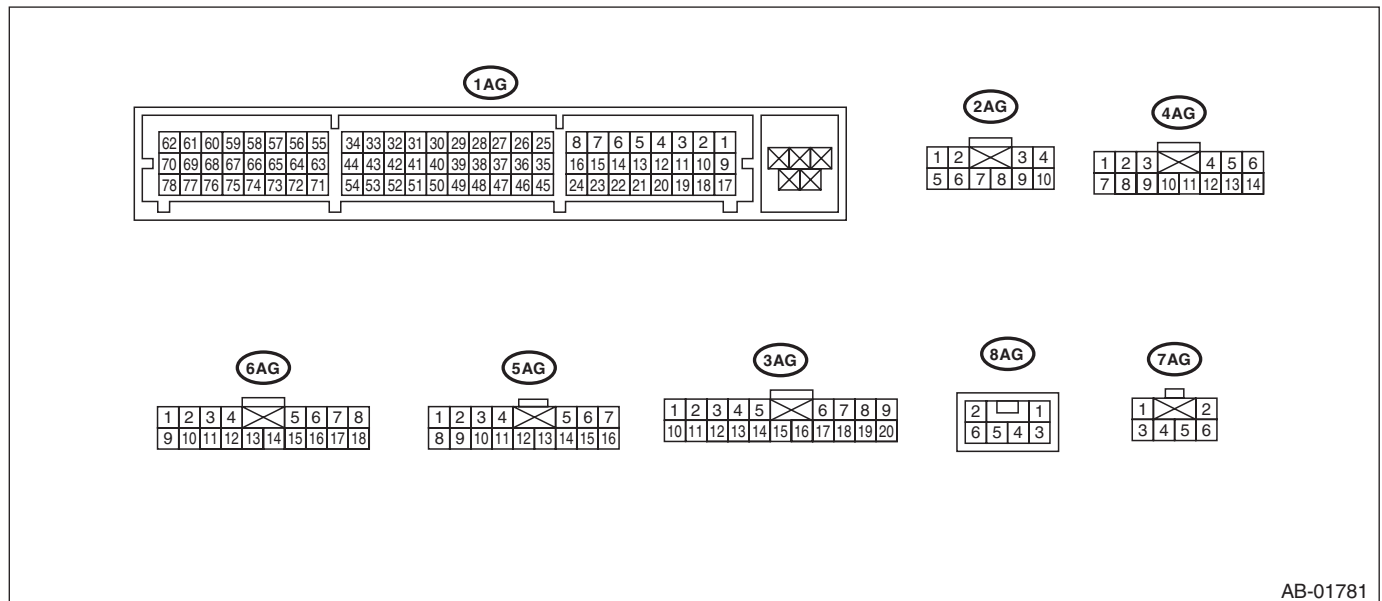
ILLUSTRATION	TOOL NUMBER	DESCRIPTION	REMARKS
 <p>ST98299XA020</p>	98299XA020	TEST HARNESS AD	Used when measuring voltage and resistance of the occupant detection system.



General Description

• TEST HARNESS AG

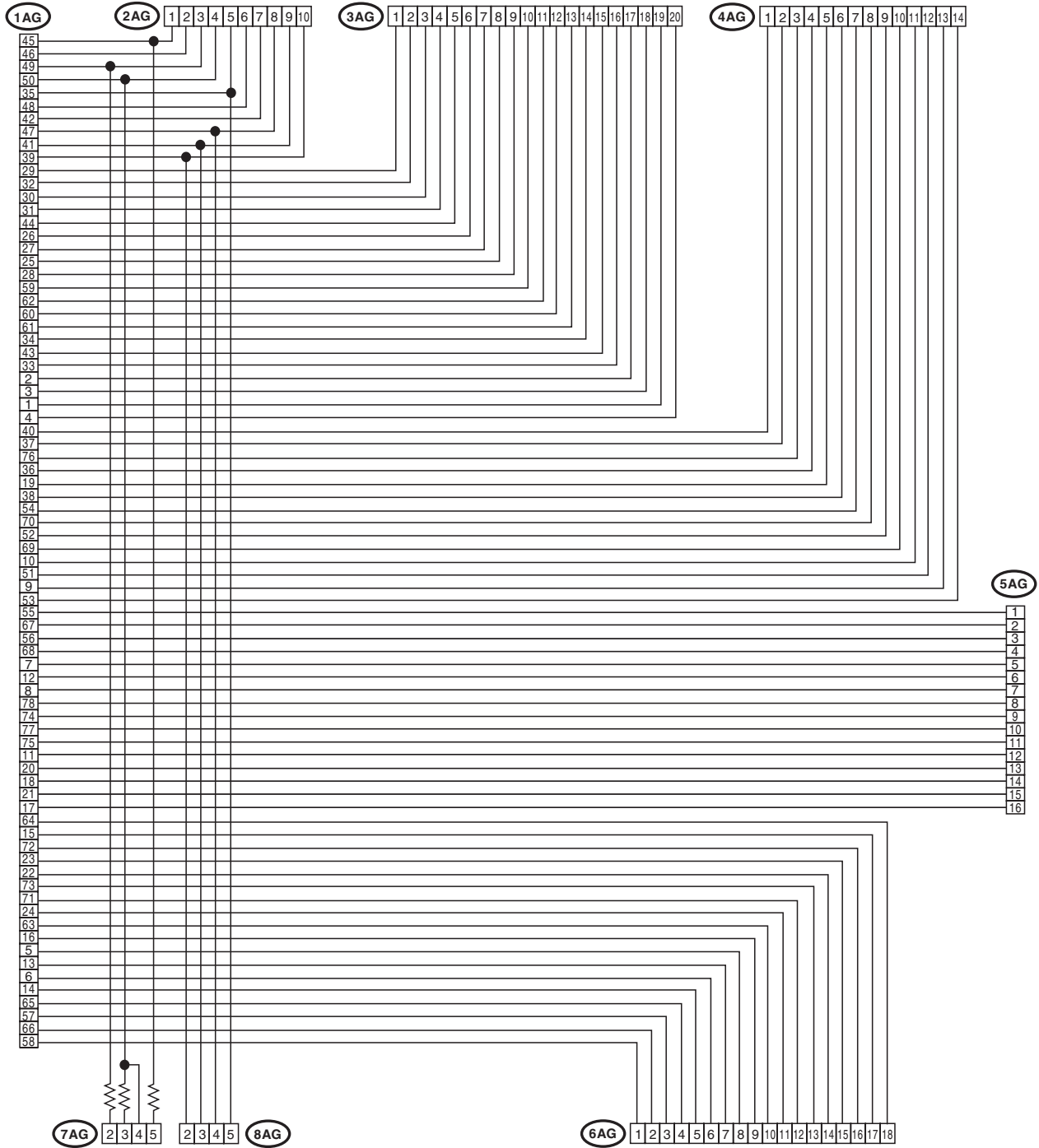
ILLUSTRATION	TOOL NUMBER	DESCRIPTION	REMARKS
 <p data-bbox="323 558 467 577">ST98299AG070</p>	98299AG070	TEST HARNESS AG	Used when measuring voltage and resistance of airbag control module.



AB-01781

General Description

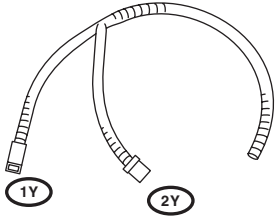
SEAT BELT SYSTEM

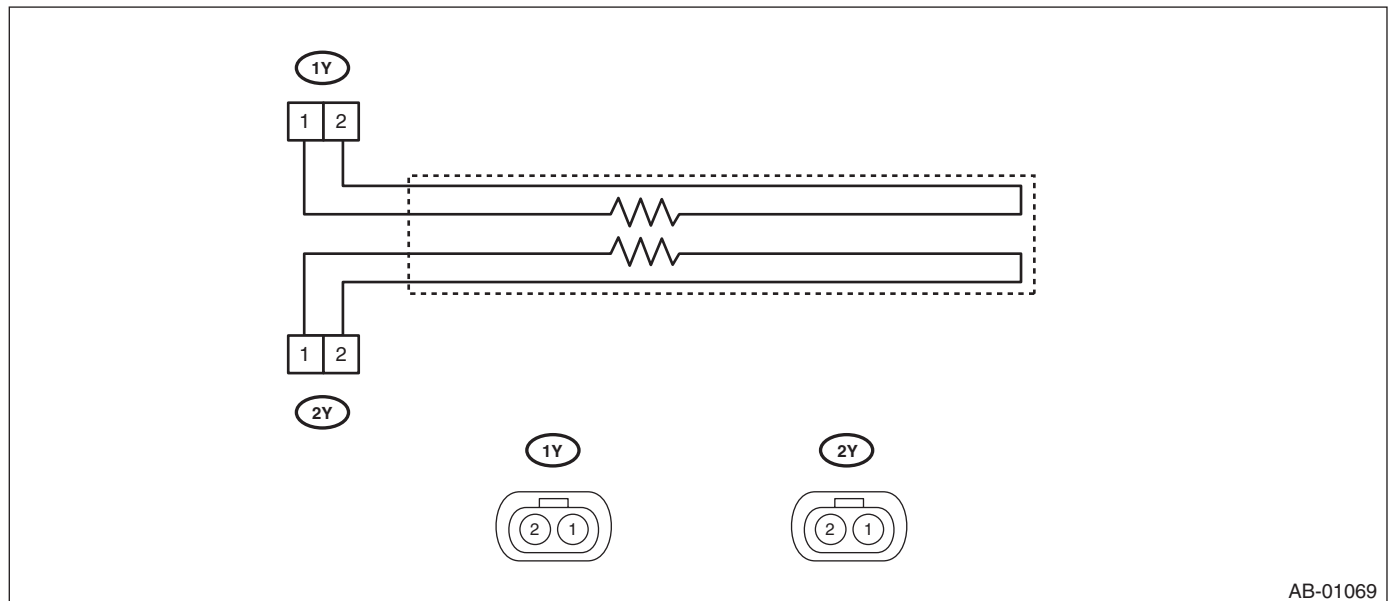


AB-01902

General Description

- TEST HARNESS Y

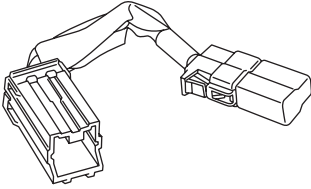
ILLUSTRATION	TOOL NUMBER	DESCRIPTION	REMARKS
 <p data-bbox="321 556 467 579">ST98299AG040</p>	98299AG040	TEST HARNESS Y	Used for troubleshooting seat belt buckle switch.

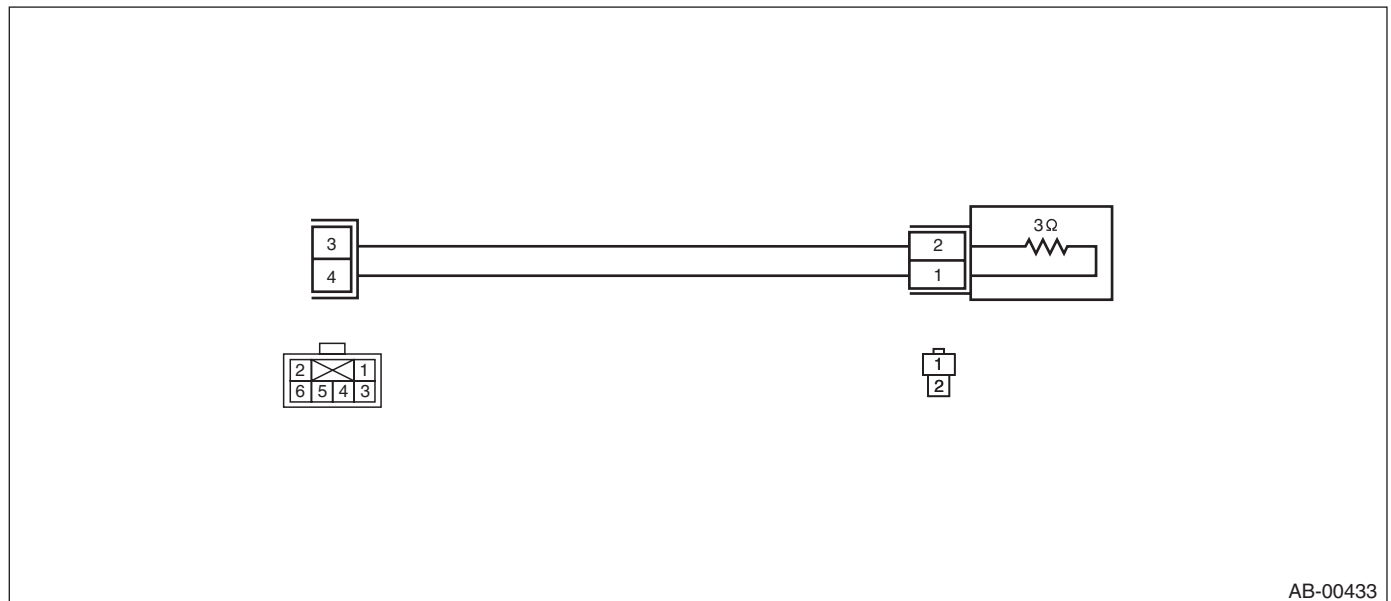


General Description

SEAT BELT SYSTEM

• AIRBAG RESISTOR

ILLUSTRATION	TOOL NUMBER	DESCRIPTION	REMARKS
 <p>ST98299PA040</p>	98299PA040	AIRBAG RESISTOR	Used in replacement of airbag module for which resistance value is same as airbag module. Two STs are required for diagnosis of two-stage inflator type airbag module.



2. GENERAL TOOL

TOOL NAME	REMARKS
Circuit tester	Used for measuring resistance and voltage.