

6. Rear Seat Belt

A: REMOVAL

1. OUTER BELT ASSEMBLY RH & LH (SEDAN MODEL)

1) Disconnect the ground cable from battery and wait for at least 60 seconds before starting work.

CAUTION:

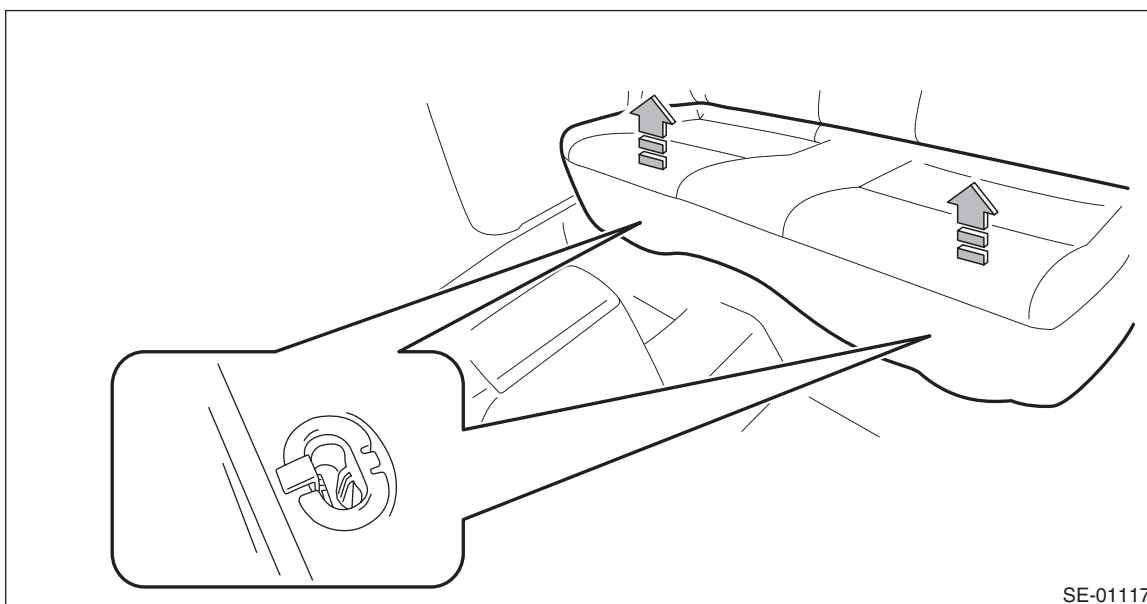
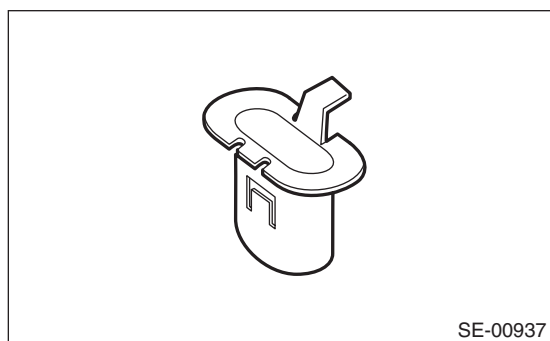
The airbag system is fitted with a backup power supply. After disconnecting the battery ground cable, the airbag may operate if you do not wait for 60 seconds before starting the service of airbag system.

2) Remove the rear seat cushion.

(1) Pull up the seat cushion and release the hook.

CAUTION:

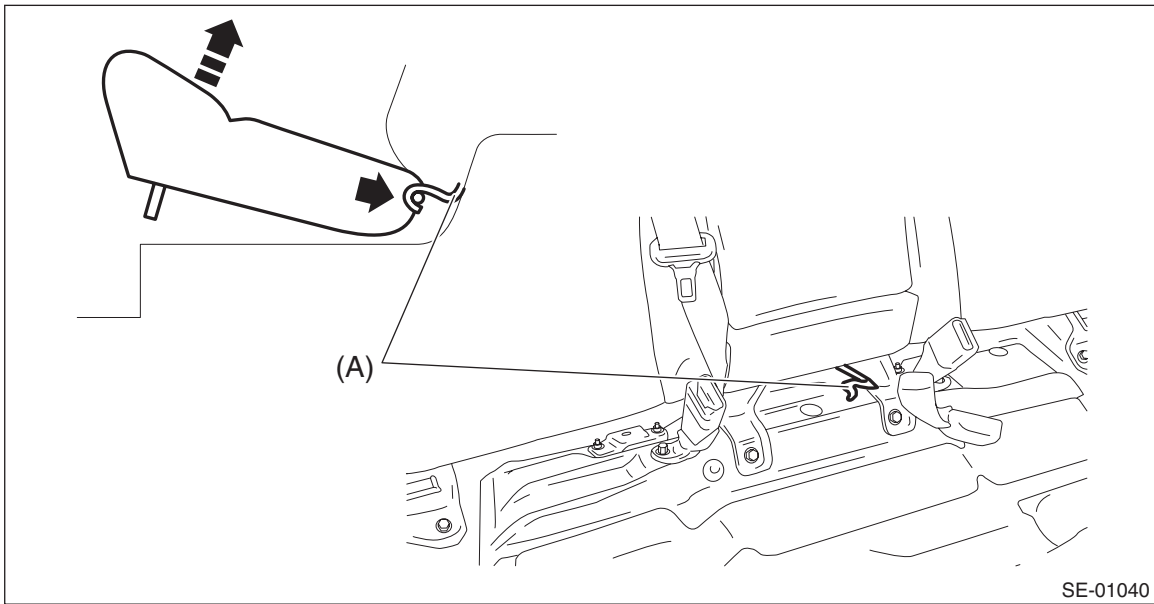
If the hook is disconnected from the vehicle body, replace the hook with the new part to prevent the decline of the fixed force of the seat.



Rear Seat Belt

SEAT BELT SYSTEM

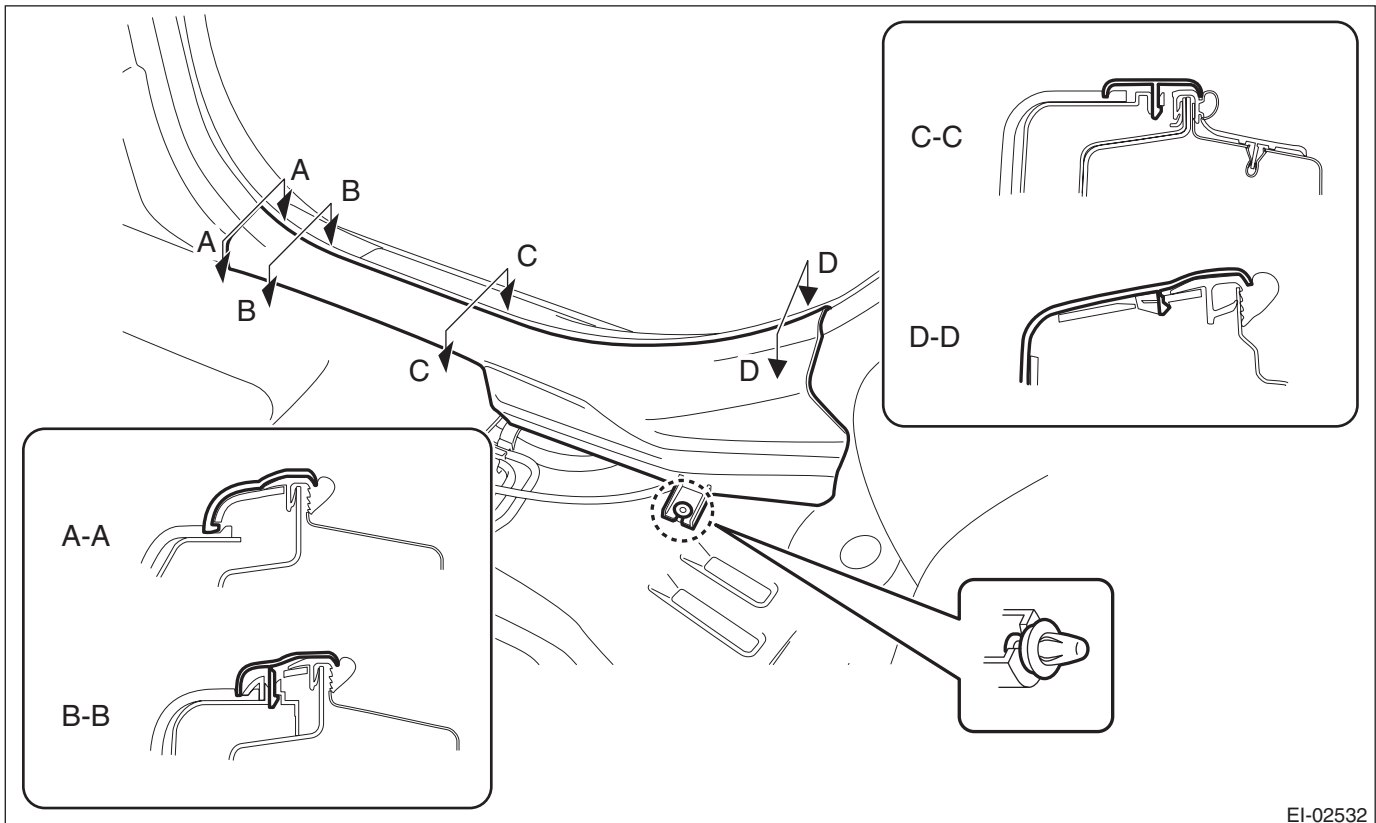
(2) Remove the hook (A) by pushing it back while lifting the front side of the seat cushion, and remove the seat cushion.



3) Release the clips and claws, and then remove the side sill cover - rear INN. (On the side where seat belt assembly is removed)

CAUTION:

Do not pull with excessive force. Doing so may damage the claws of the side sill cover INN.



NOTE:

To release the claws of the side sill cover INN, the following steps are recommended.

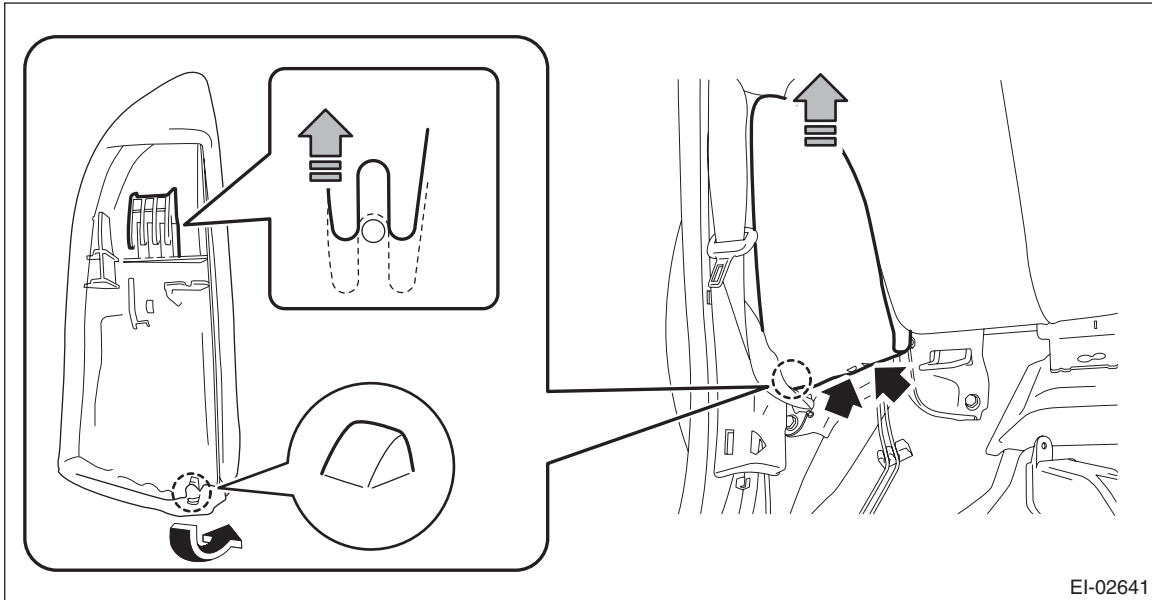
1. Take out the weather strip from under the side sill cover INN.
2. Turn over the floor mat and release the claw (C-C and D-D) by accessing from behind the side sill cover INN.

- 4) Remove the rear quarter trim LWR. (On the side where seat belt assembly is removed)
- (1) Remove the backrest side pad assembly.
 - a) Remove the screws.

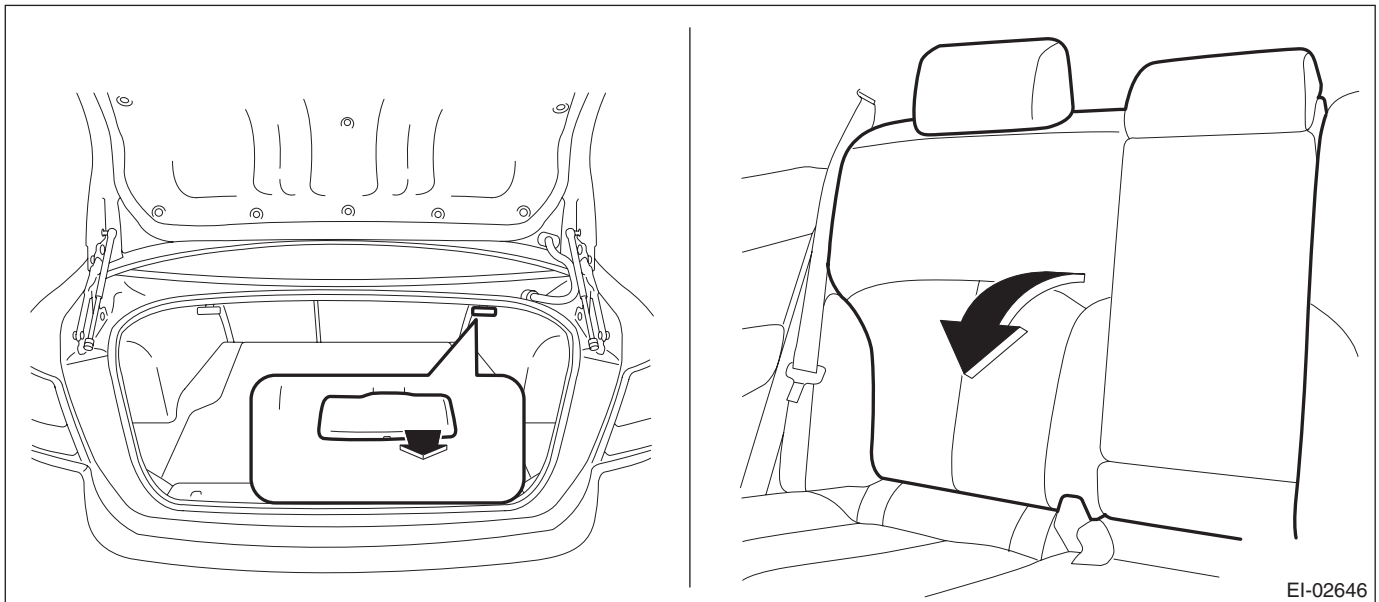
Preparation tool:

Stubby screwdriver

- b) Turn over the bottom end of the backrest side pad in the forward direction so that the claws are released.
- c) Remove the backrest side pad by pulling it up.



- (2) Pull the release lever in the trunk room, and then tilt the backrest forward.

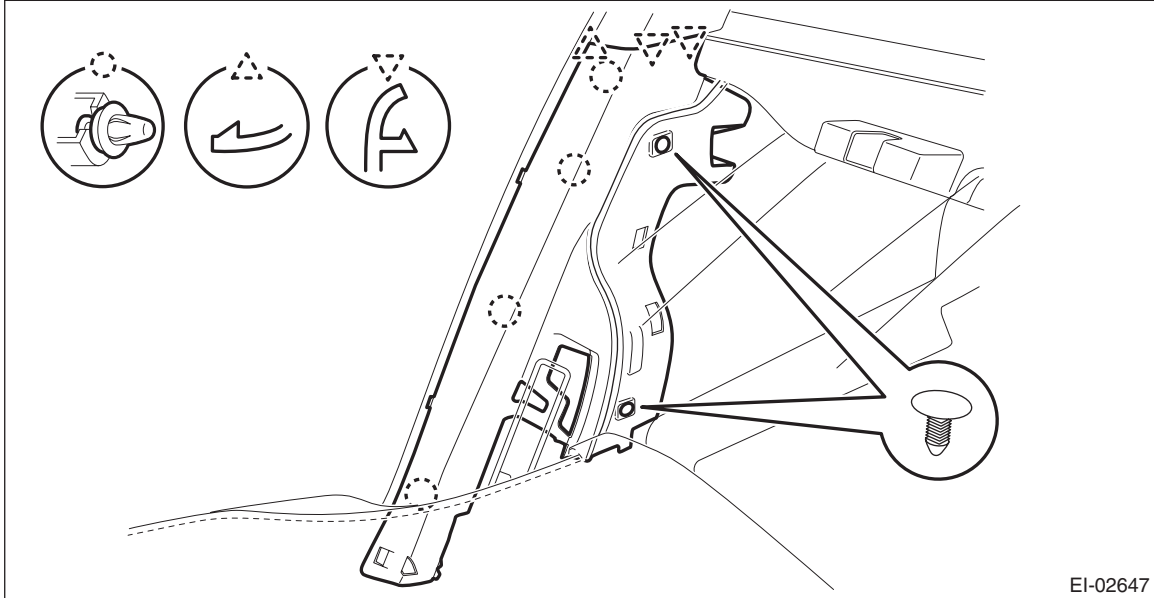


- (3) Release the clips of the trunk trim panel assembly - side.

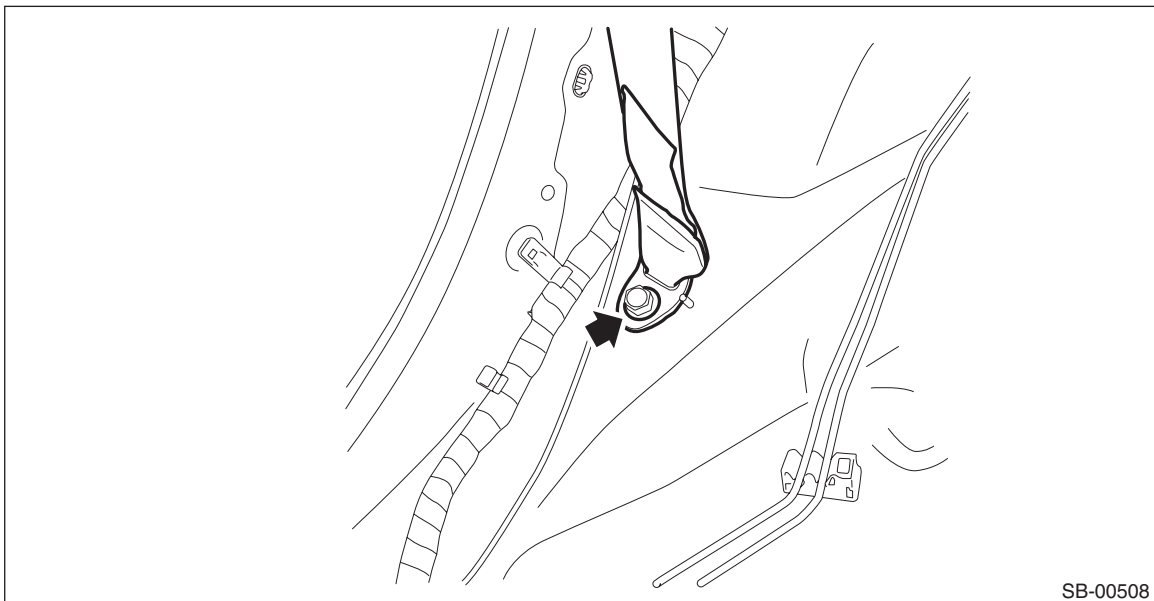
Rear Seat Belt

SEAT BELT SYSTEM

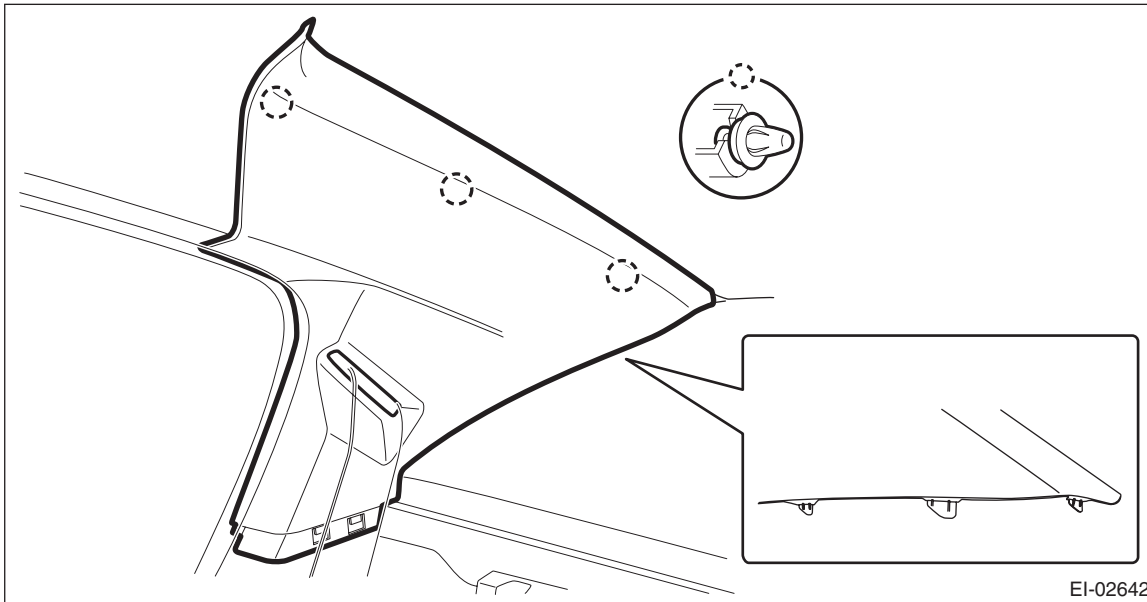
- (4) Remove the clips, and remove the rear quarter trim LWR.



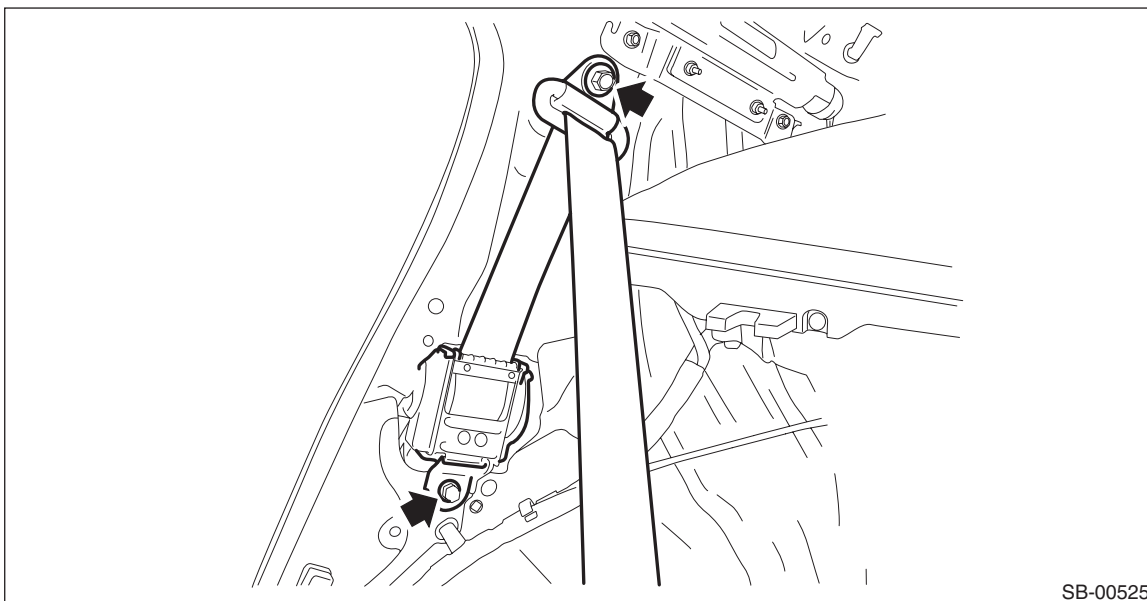
- 5) Remove the rear quarter trim UPR. (On the side where seat belt assembly is removed)
(1) Remove the lower anchor bolt of the outer belt assembly.



- (2) Release the clips, and remove the rear quarter trim UPR.



- (3) Pull out the seat belt and remove the rear quarter trim UPR.
- 6) Remove the outer seat belt assembly.
- (1) Remove the bolts and remove the seat belt anchor.
- (2) Remove the bolts, and remove the seat belt retractor assembly.



Rear Seat Belt

SEAT BELT SYSTEM

2. OUTER BELT ASSEMBLY RH & LH (OUTBACK MODEL)

1) Disconnect the ground cable from battery and wait for at least 60 seconds before starting work.

CAUTION:

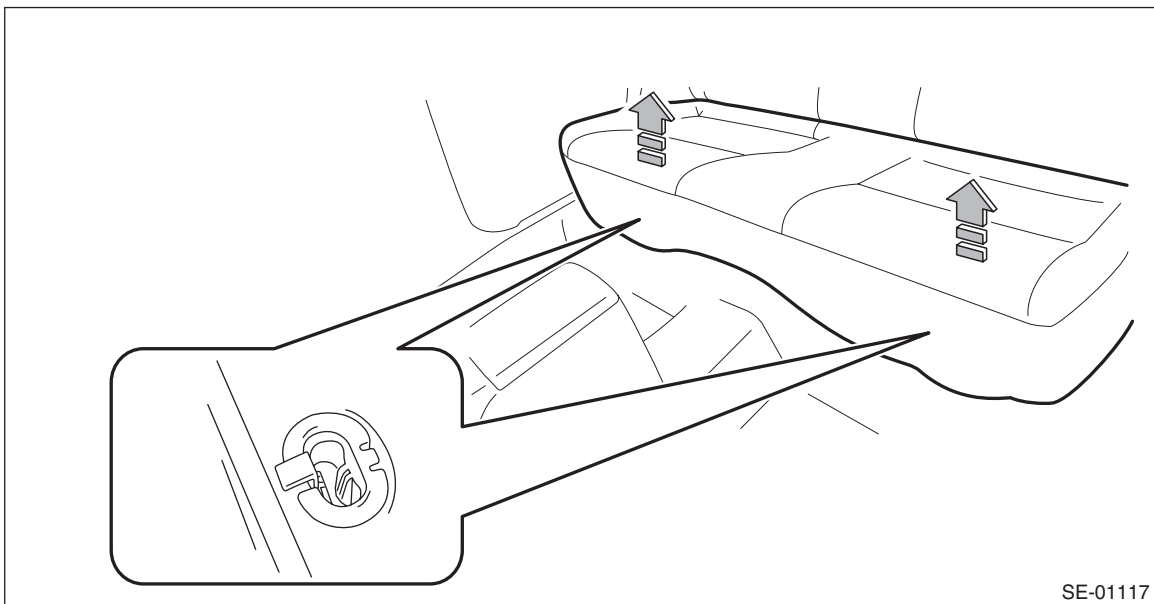
The airbag system is fitted with a backup power supply. After disconnecting the battery ground cable, the airbag may operate if you do not wait for 60 seconds before starting the service of airbag system.

2) Remove the rear seat cushion.

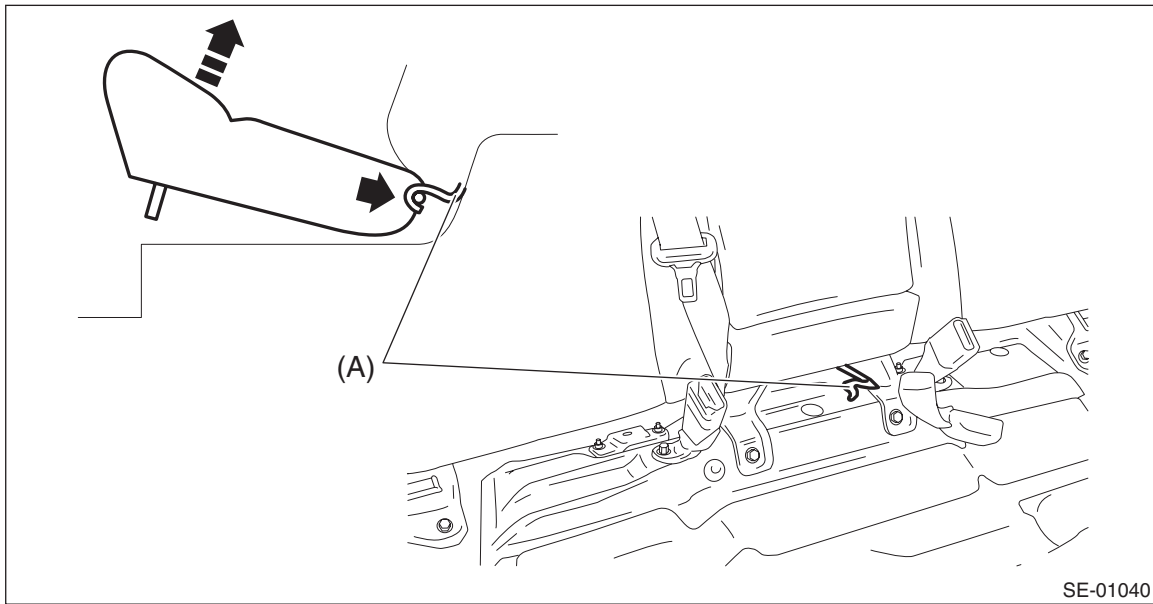
(1) Pull up the seat cushion and release the hook.

CAUTION:

If the hook is disconnected from the vehicle body, replace the hook with the new part to prevent the decline of the fixed force of the seat.



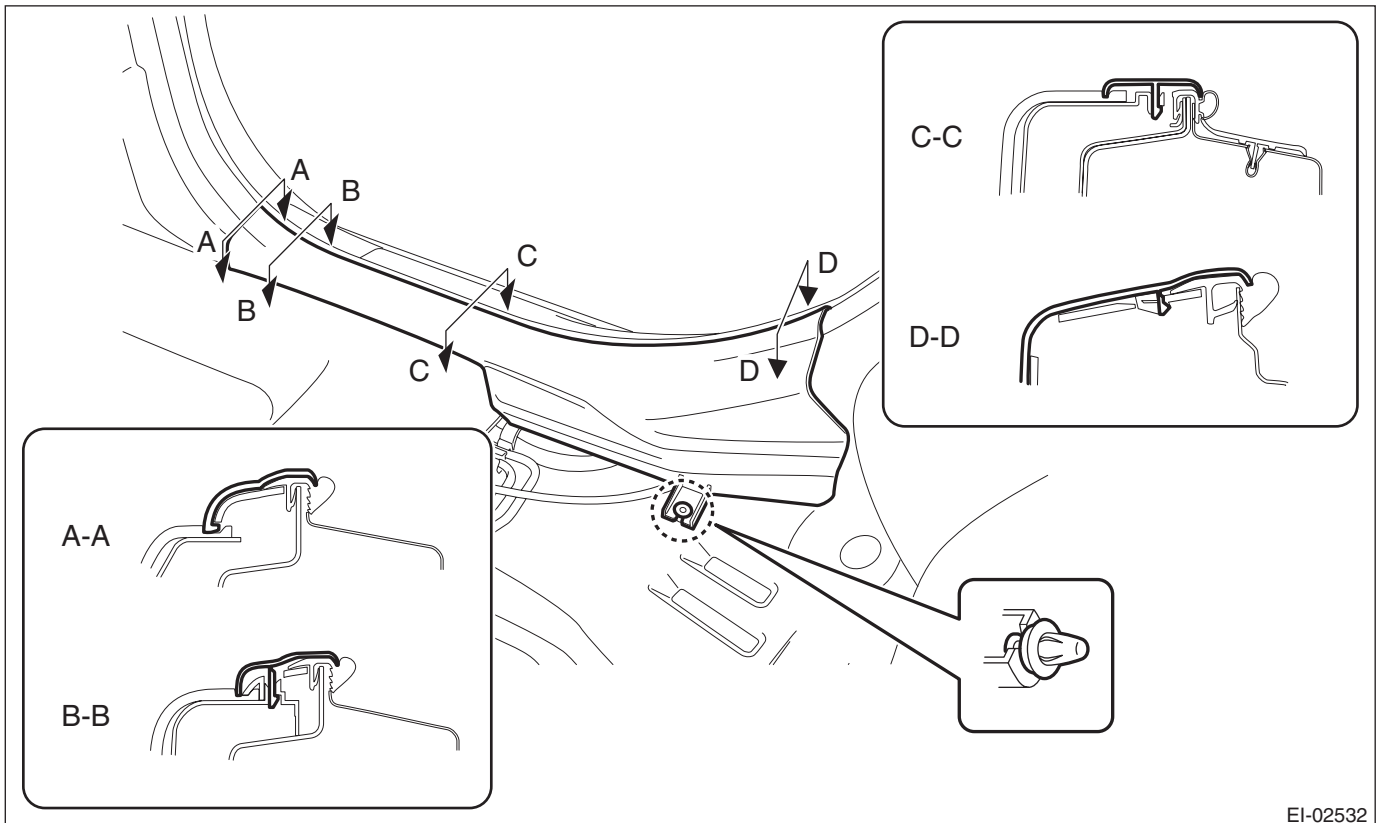
(2) Remove the hook (A) by pushing it back while lifting the front side of the seat cushion, and remove the seat cushion.



3) Release the clips and claws, and then remove the side sill cover - rear INN. (On the side where seat belt assembly is removed)

CAUTION:

Do not pull with excessive force. Doing so may damage the claws of the side sill cover INN.



NOTE:

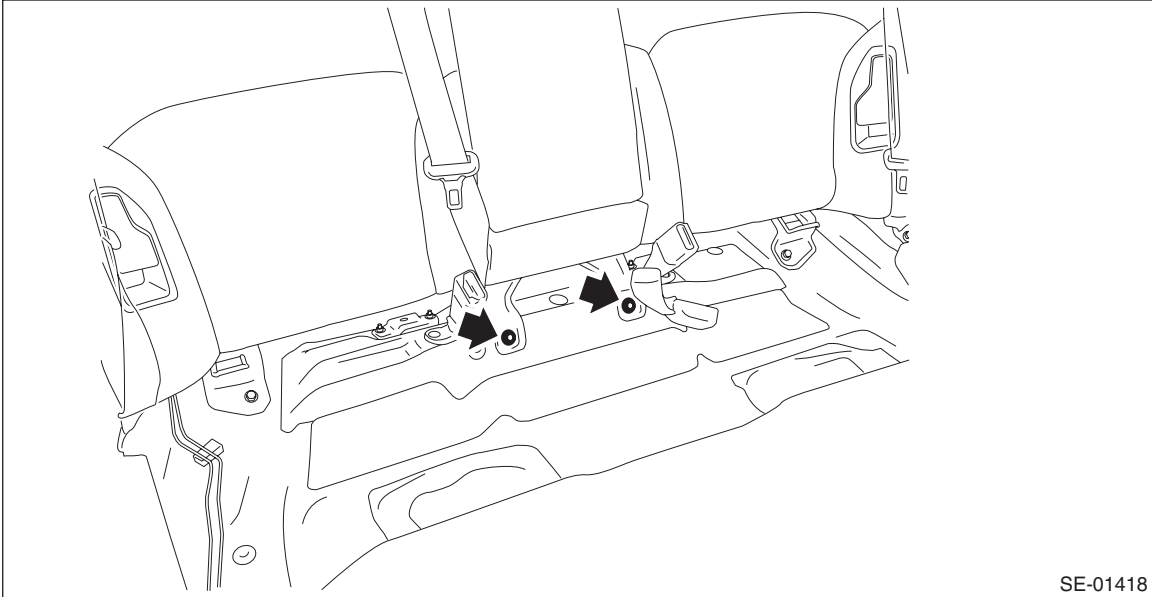
To release the claws of the side sill cover INN, the following steps are recommended.

1. Take out the weather strip from under the side sill cover INN.
2. Turn over the floor mat and release the claw (C-C and D-D) by accessing from behind the side sill cover INN.

Rear Seat Belt

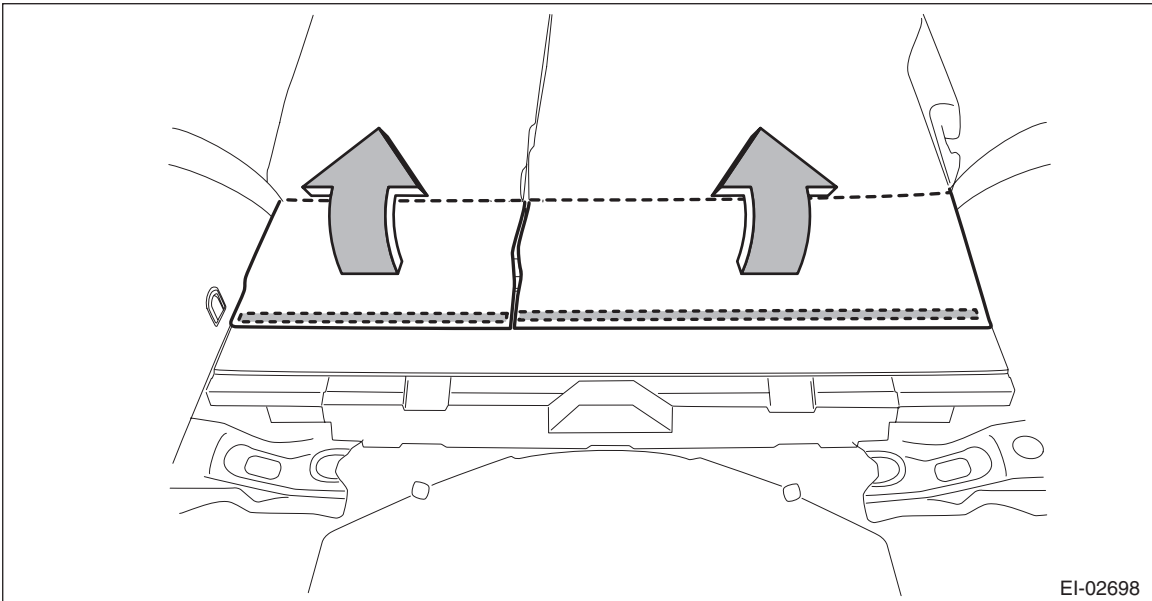
SEAT BELT SYSTEM

- 4) Remove the headrest.
- 5) Remove the backrest assembly RH.
 - (1) Remove the hinge bolts at the front of the backrest assembly RH.



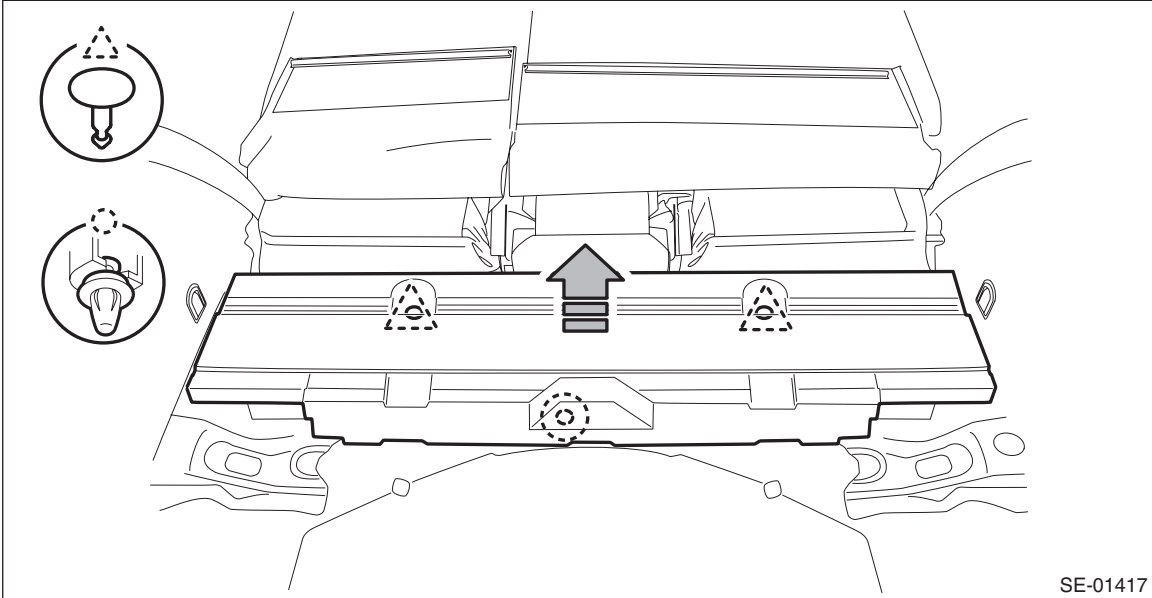
SE-01418

- (2) Tilt the backrest forward, and then turn over the backrest backside mat.

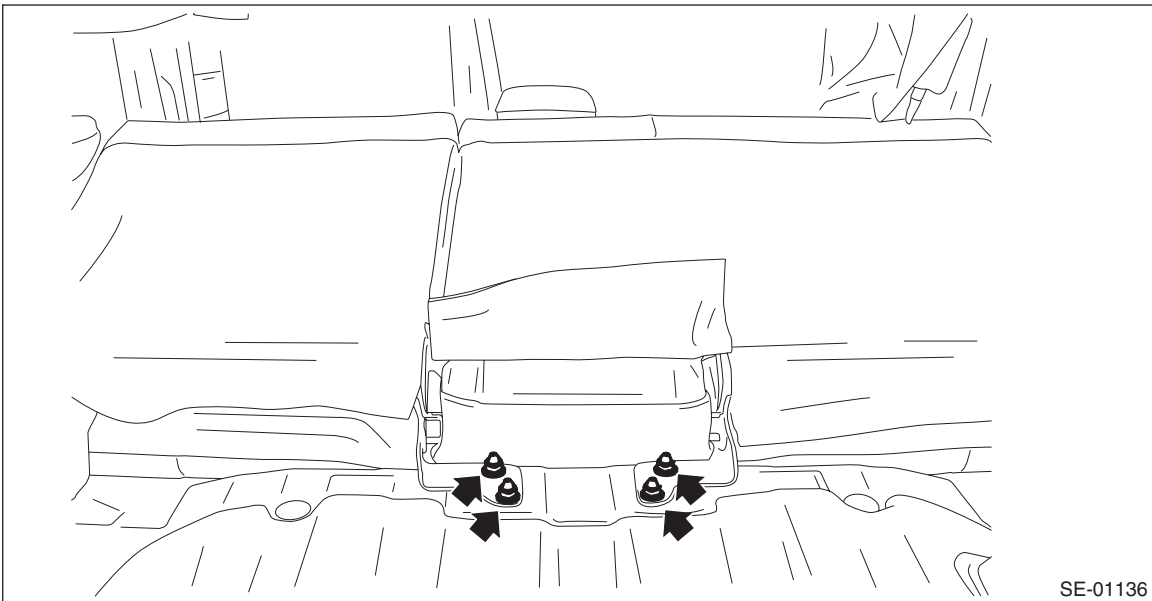


EI-02698

(3) Remove the clips, and remove the rear floor mat - front.



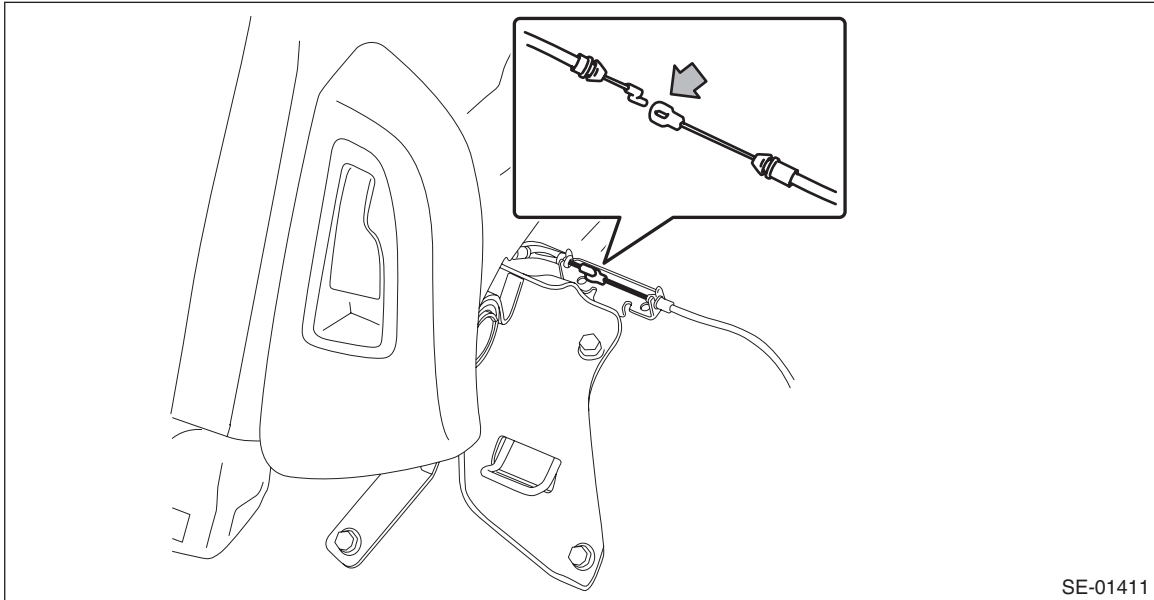
(4) Remove the nuts at the rear of backrest hinge.



Rear Seat Belt

SEAT BELT SYSTEM

- (5) Disconnect the backrest cable and reclining cable.



NOTE:

The backrests cannot be detached while pin positions of the hinge assembly and backrests are not aligned.

- (6) Remove the backrest assembly RH from the hinge assembly RH.

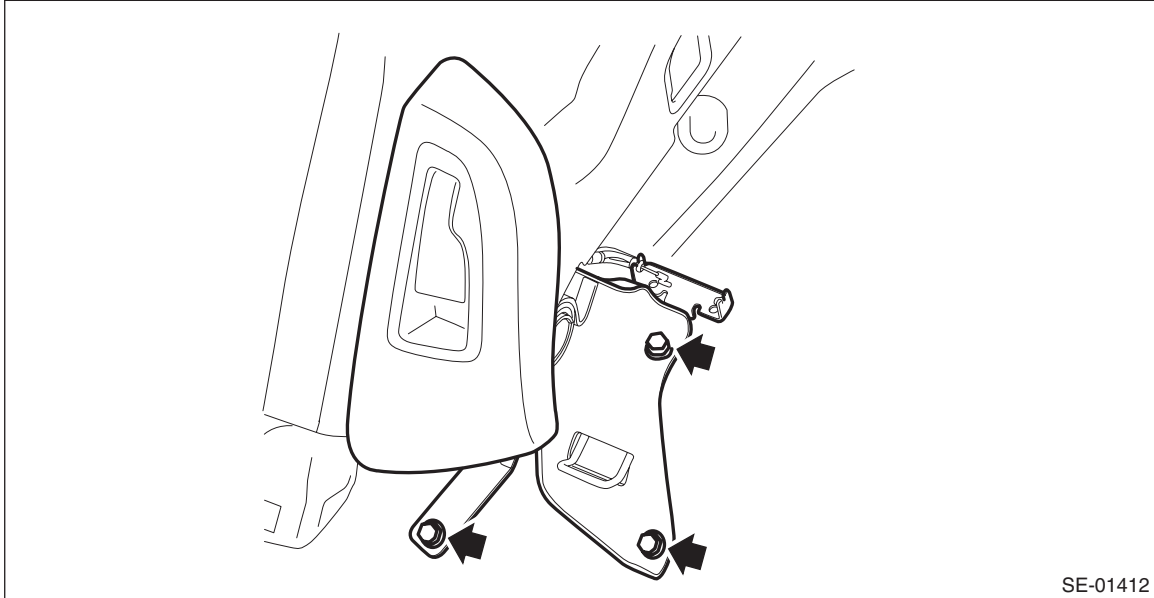


NOTE:

The backrests cannot be detached while pin positions of the hinge assembly and backrests are not aligned.

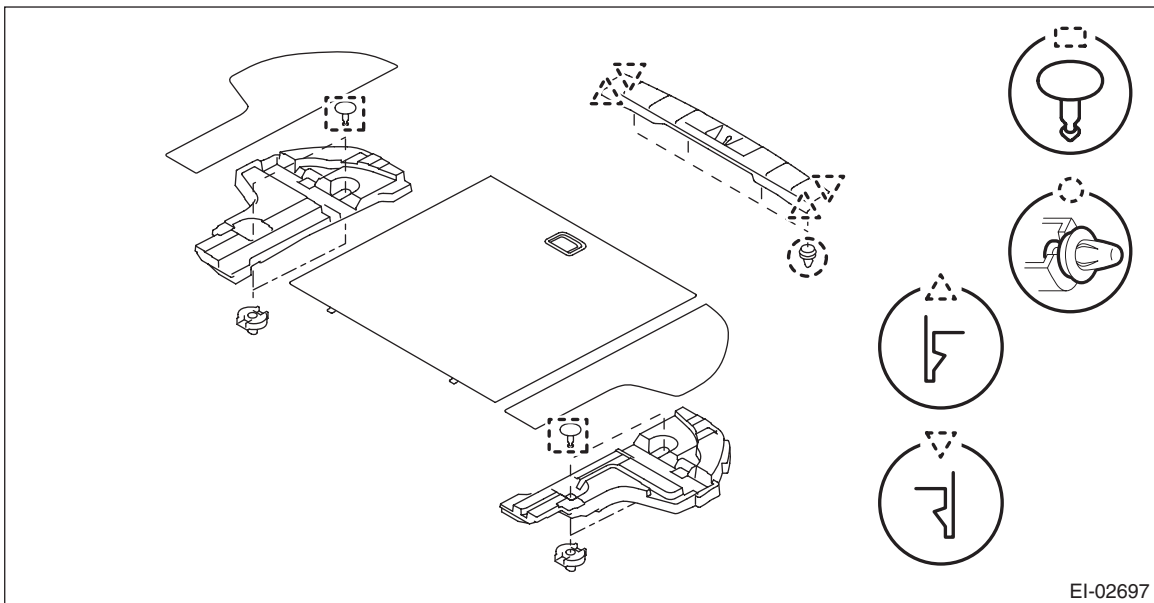
- (7) Take out the part outside the vehicle so that the body is not damaged by the hinges.

- 6) Remove the bolts, and remove the backrest side pad assembly RH.



SE-01412

- 7) Remove the clips, and remove the luggage floor box and rear floor edge cover.

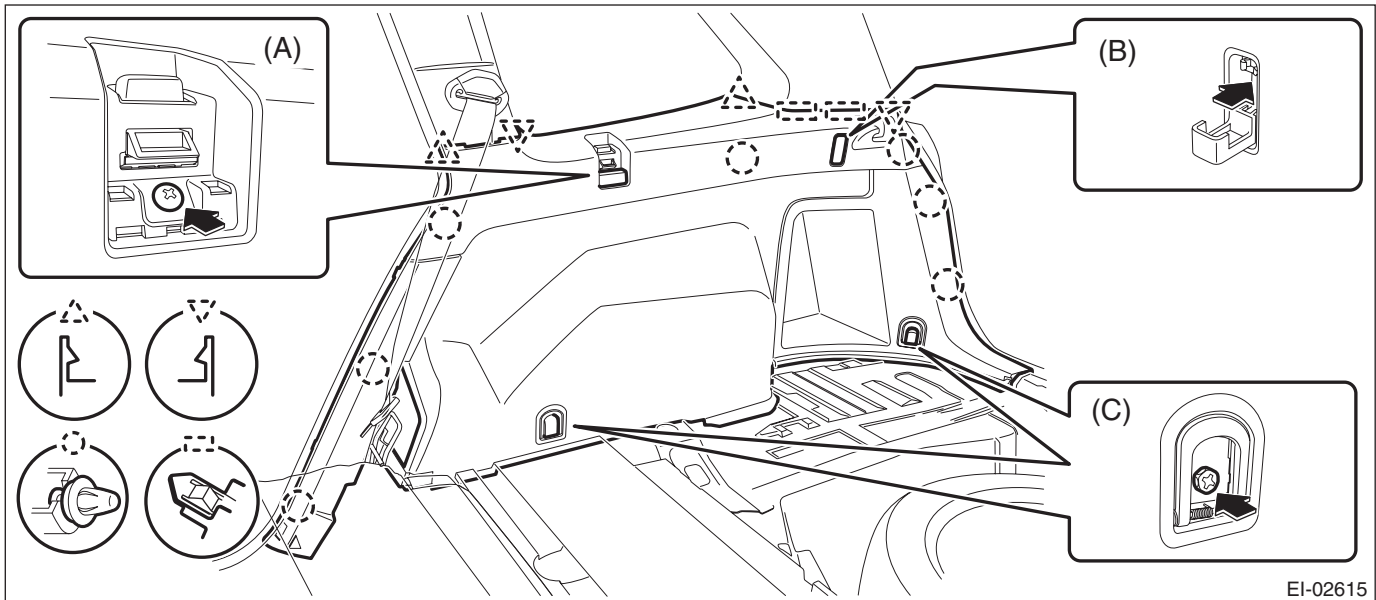


EI-02697

Rear Seat Belt

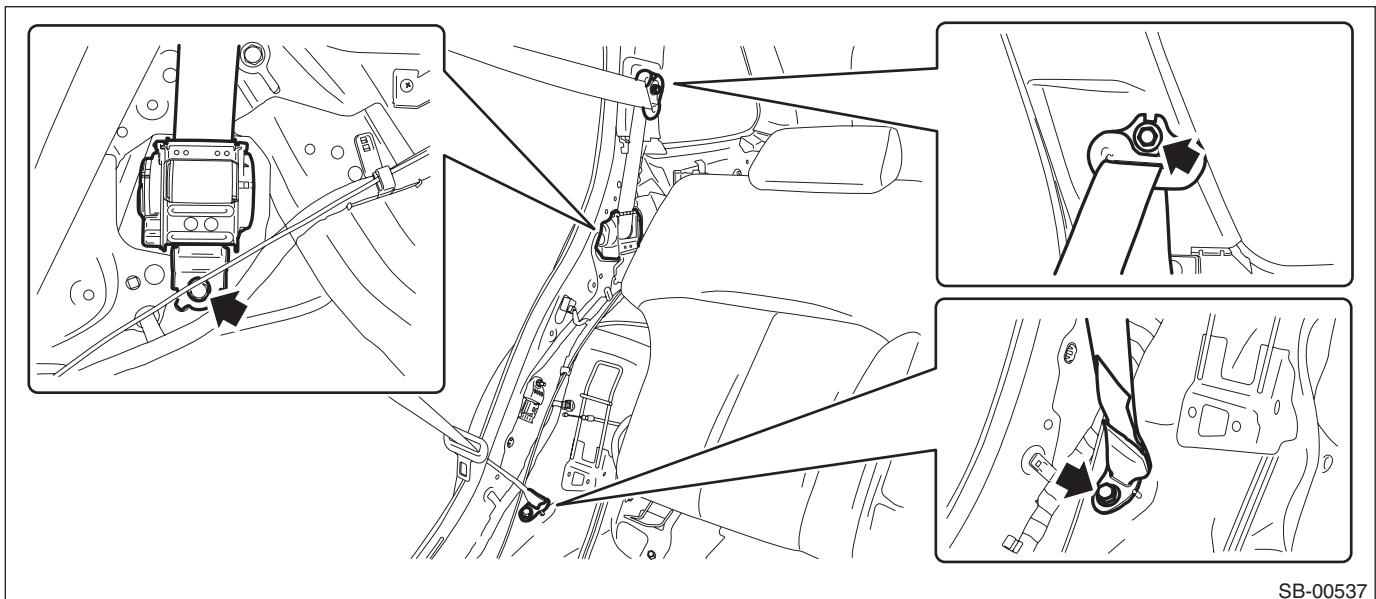
SEAT BELT SYSTEM

- 8) Remove the rear quarter trim LWR. (On the side where seat belt assembly is removed)
- (1) Remove the caps, screws, and bolts. (A), (C)
 - (2) Take out the hook and remove the screw inside. (B)
 - (3) Remove the clips, and remove the rear quarter trim LWR.



EI-02615

- 9) Remove the outer seat belt assembly.
- (1) Remove the seat belt lower anchor bolt.
 - (2) Open the cap and remove the bolt to remove the seat belt anchor.
 - (3) Remove the bolts, and remove the seat belt retractor assembly.



SB-00537

3. SHOULDER BELT ASSEMBLY CTR (SEDAN MODEL)

1) Disconnect the ground cable from battery and wait for at least 60 seconds before starting work.

CAUTION:

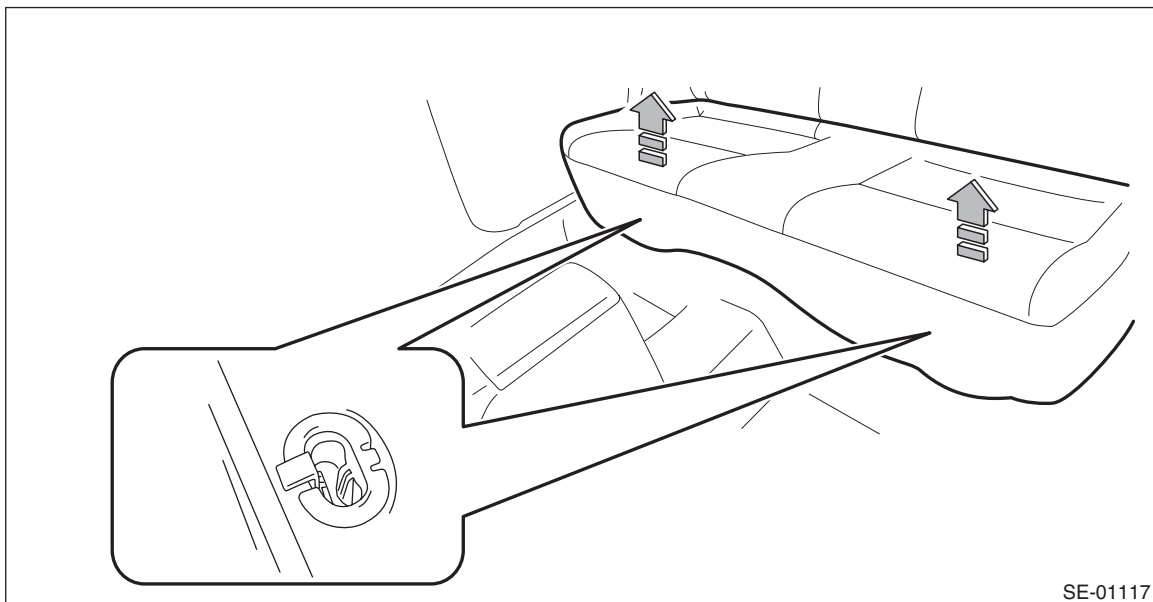
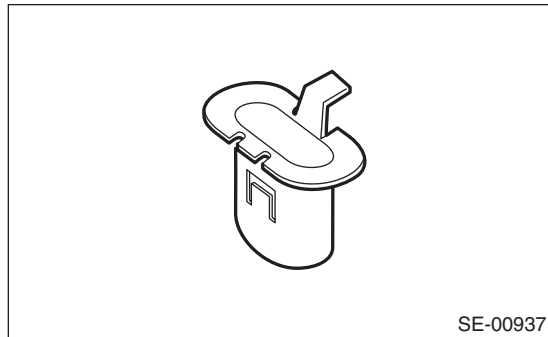
The airbag system is fitted with a backup power supply. After disconnecting the battery ground cable, the airbag may operate if you do not wait for 60 seconds before starting the service of airbag system.

2) Remove the rear seat cushion.

(1) Pull up the seat cushion and release the hook.

CAUTION:

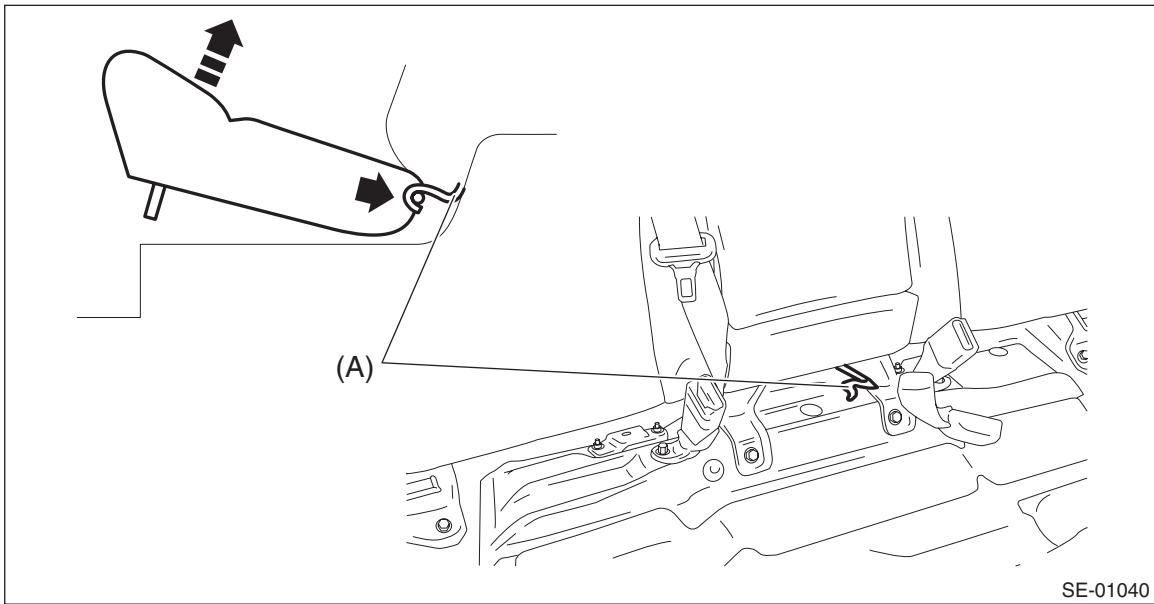
If the hook is disconnected from the vehicle body, replace the hook with the new part to prevent the decline of the fixed force of the seat.



Rear Seat Belt

SEAT BELT SYSTEM

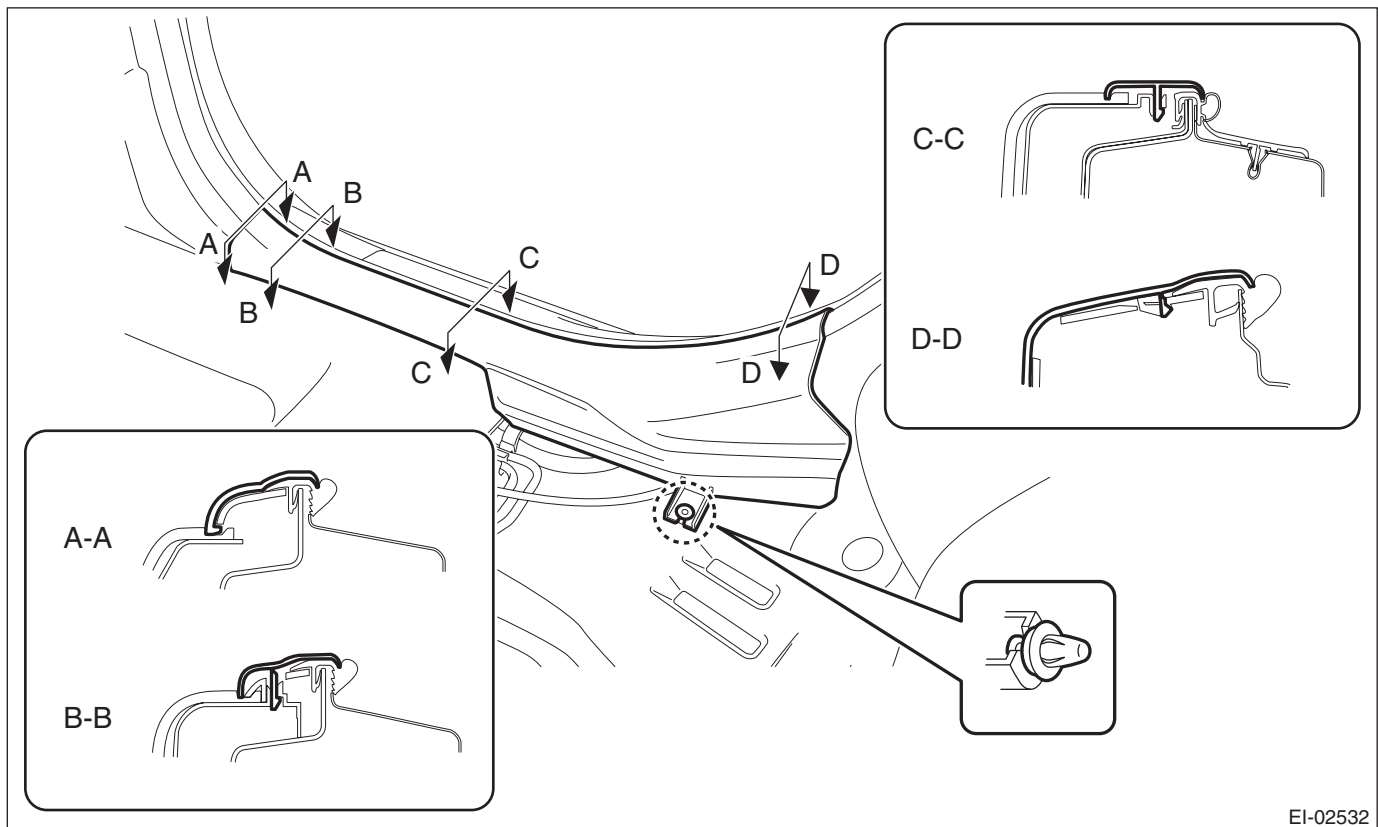
(2) Remove the hook (A) by pushing it back while lifting the front side of the seat cushion, and remove the seat cushion.



3) Release the clips and claws, and remove the side sill covers - rear INN on the left and right sides.

CAUTION:

Do not pull with excessive force. Doing so may damage the claws of the side sill cover INN.



NOTE:

To release the claws of the side sill cover INN, the following steps are recommended.

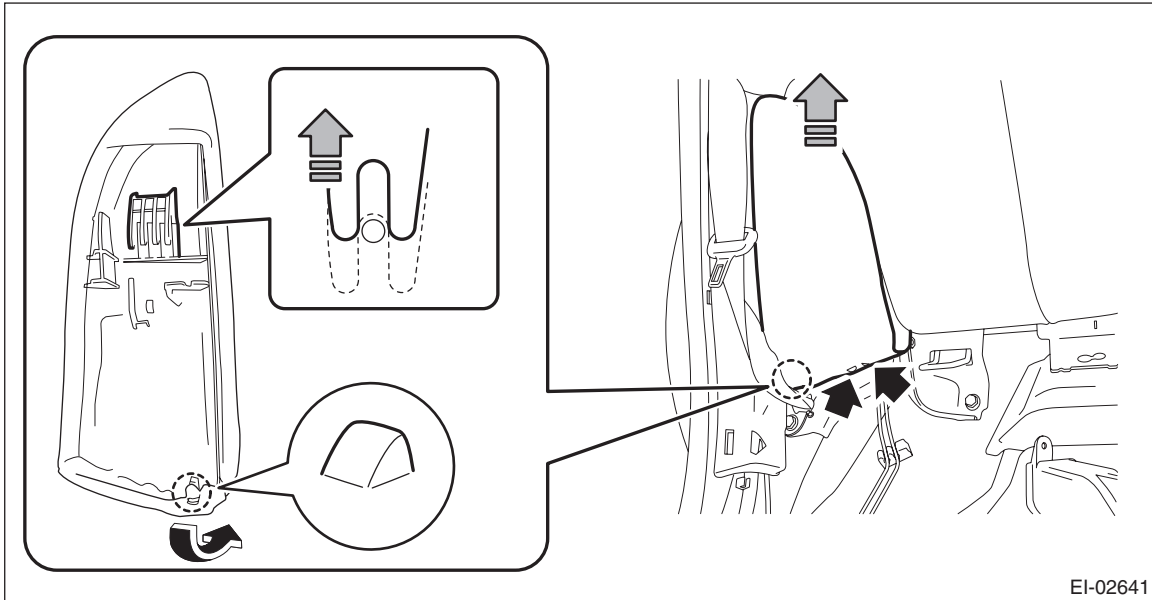
1. Take out the weather strip from under the side sill cover INN.
2. Turn over the floor mat and release the claw (C-C and D-D) by accessing from behind the side sill cover INN.

- 4) Remove the left and right rear quarter trim LWR.
 - (1) Remove the left and right backrest side pad.
 - a) Remove the screws.

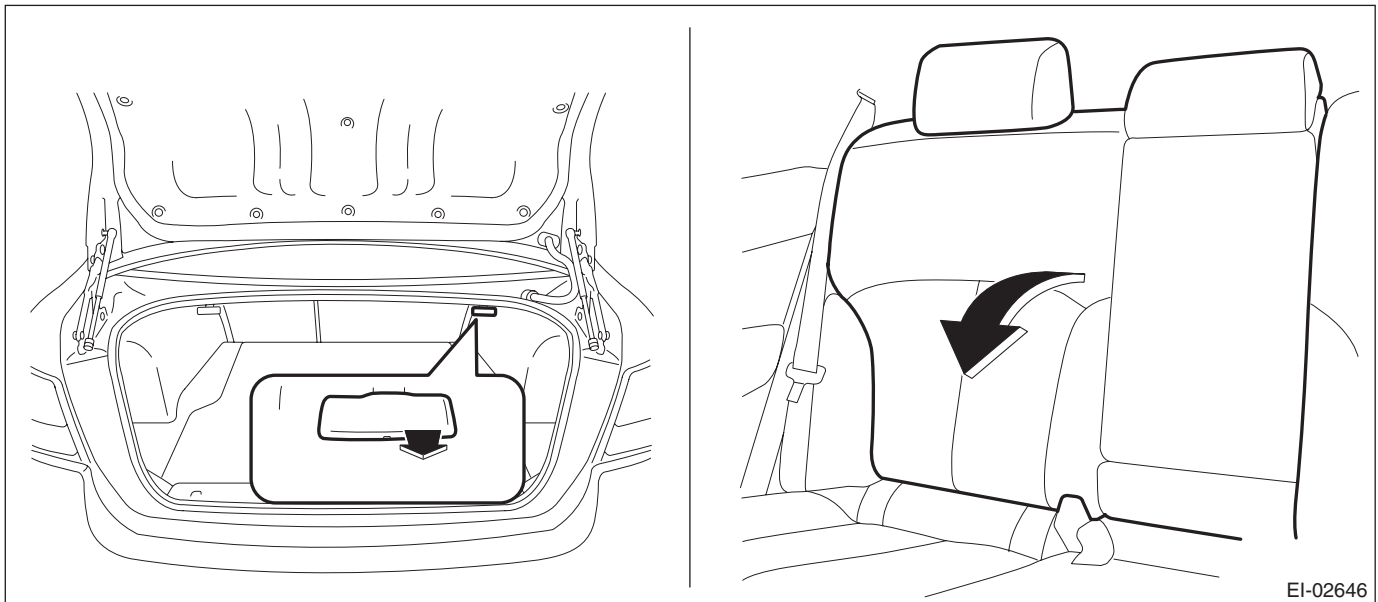
Preparation tool:

Stubby screwdriver

- b) Turn over the bottom end of the backrest side pad in the forward direction so that the claws are released.
- c) Remove the backrest side pad by pulling it up.



- (2) Pull the release lever in the trunk room, and then tilt the left and right backrest forward.

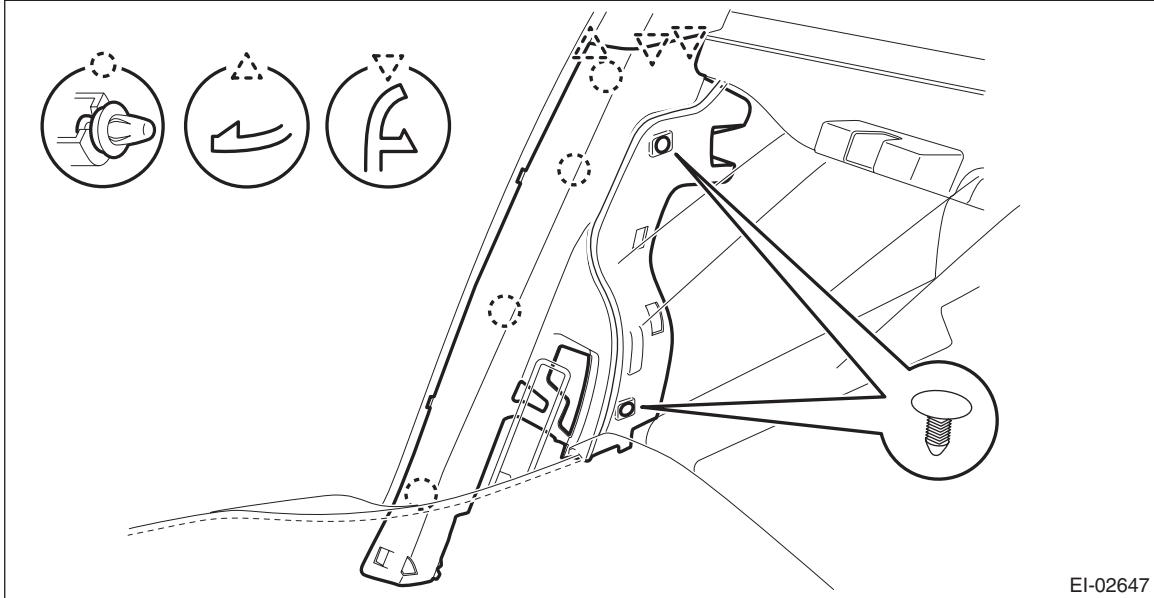


- (3) Release the clips of the trunk trim panel assembly - side.

Rear Seat Belt

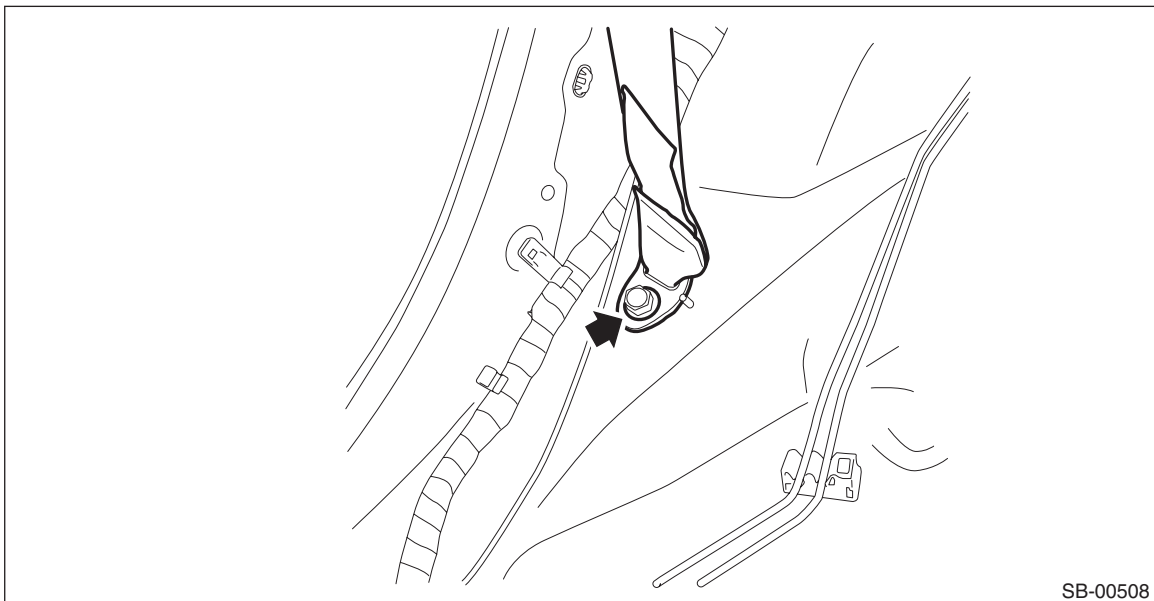
SEAT BELT SYSTEM

- (4) Remove the clips, and remove the left and right rear quarter trim LWR.

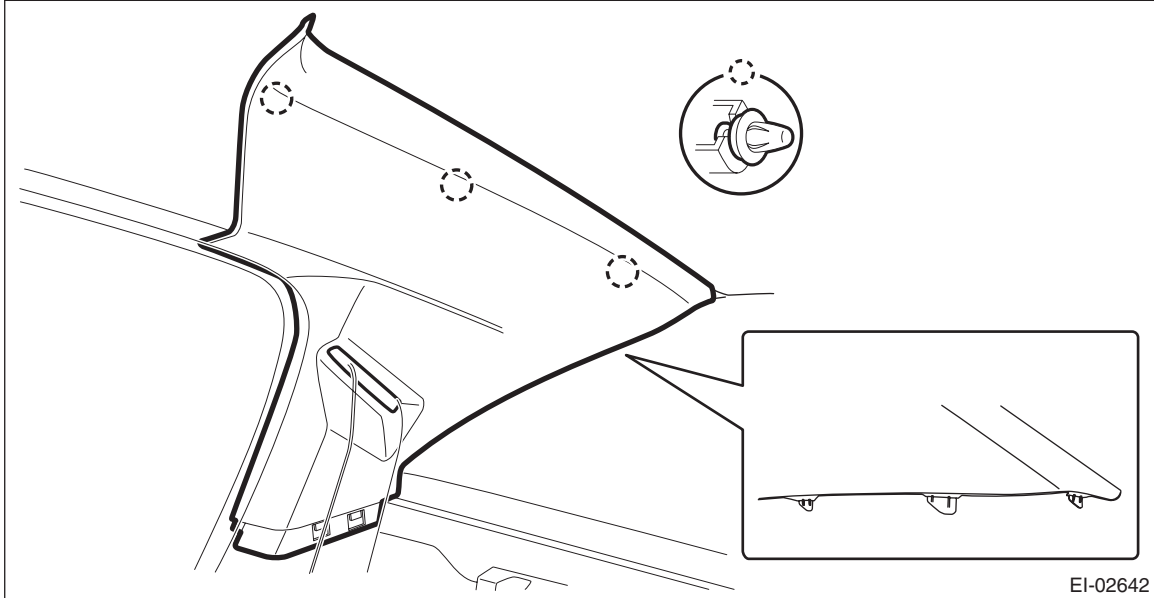


- 5) Remove the left and right rear quarter trim UPR.

- (1) Remove the lower anchor bolt of the outer belt assembly.

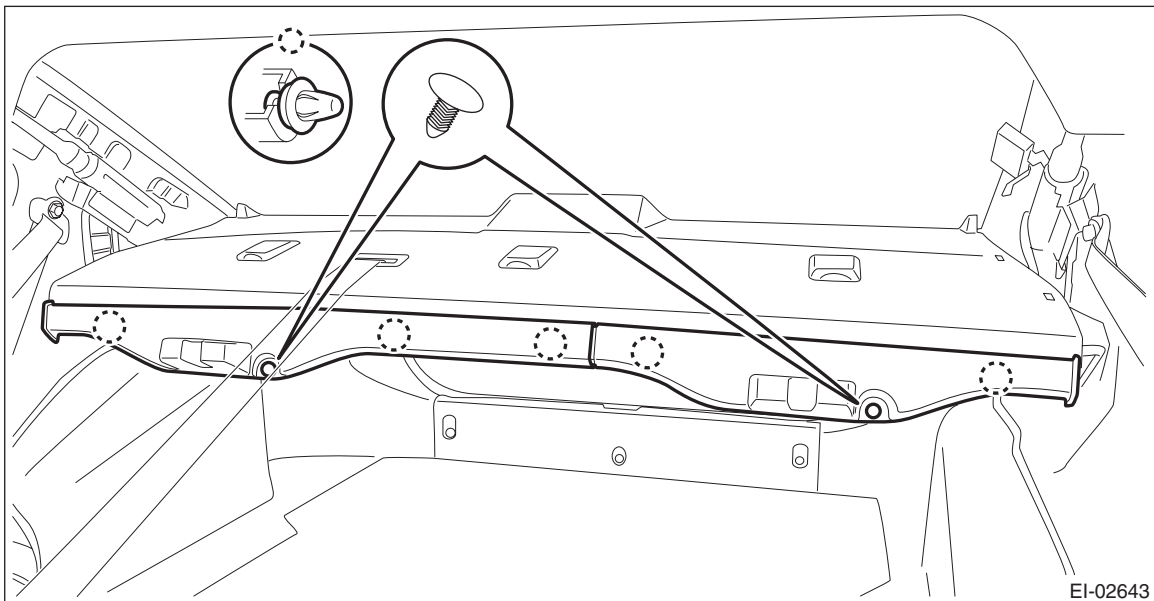


(2) Release the clips, and remove the rear quarter trim UPR.



(3) Pull out the seat belt and remove the rear quarter trim UPR.

6) Release the clips and remove the trunk trim panel assembly - front on the left and right sides.

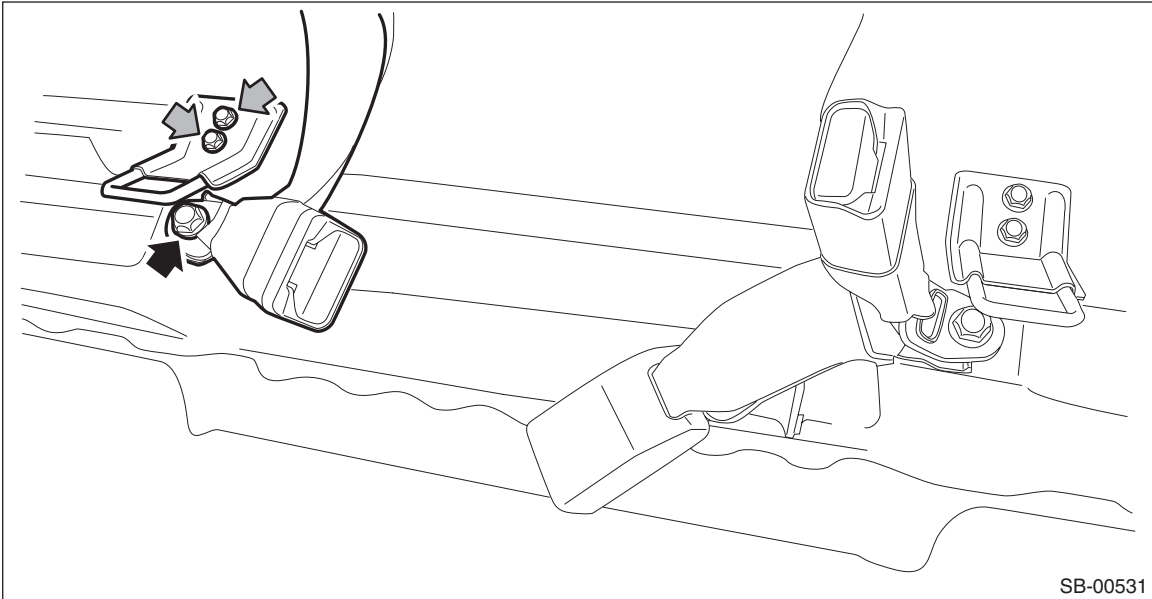


Rear Seat Belt

SEAT BELT SYSTEM

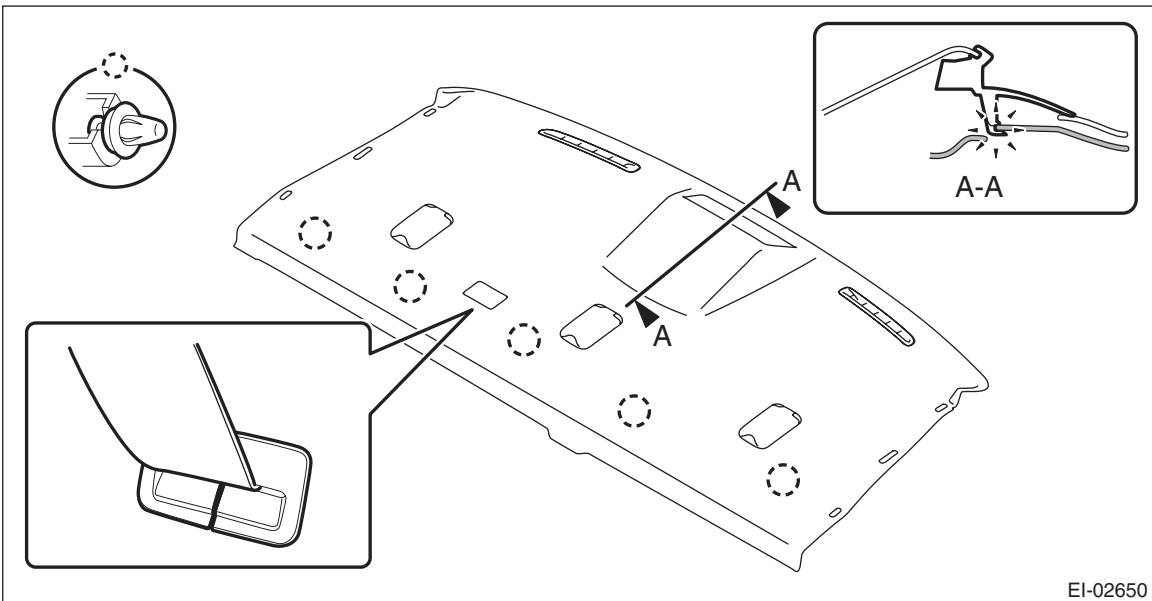
7) Remove the lower anchor of the shoulder belt assembly CTR.

- (1) Remove the nuts and remove the ISO-FIX anchor.
- (2) Remove the bolts, and remove the lower anchor of shoulder belt assembly CTR.

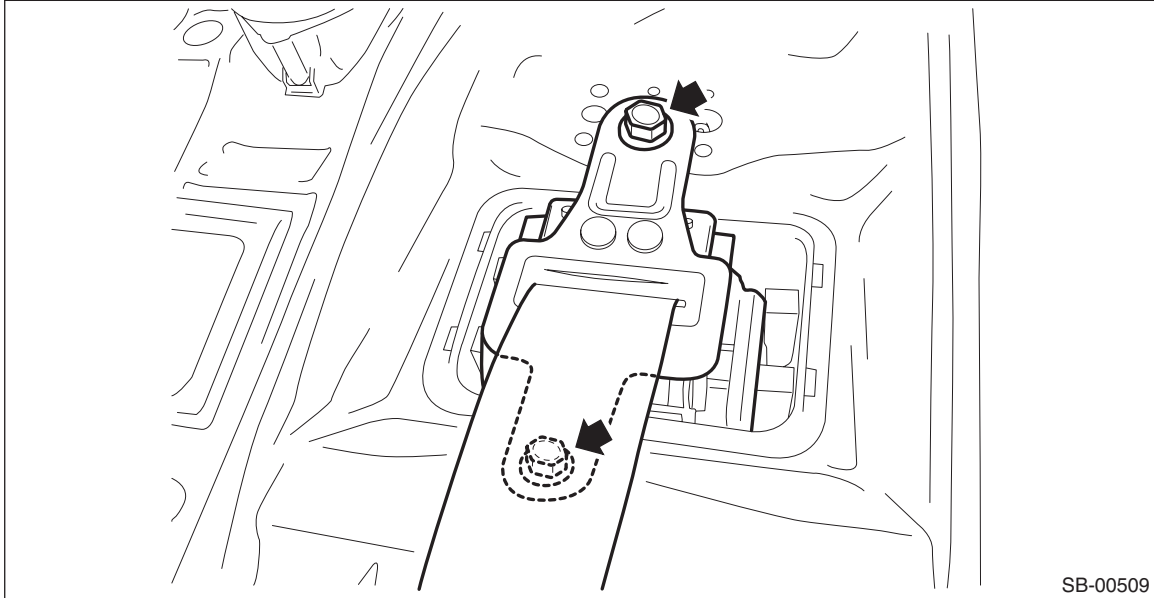


8) Remove the rear shelf panel assembly.

- (1) Release the clips to float the rear shelf panel assembly.
- (2) Release the belt guide and guide the anchor of rear center seat belt to behind the shelf panel.
- (3) Disconnect the connector of high-mounted stop light.
- (4) Remove the rear shelf panel assembly.



9) Remove the bolts, and remove the shoulder belt assembly CTR.



4. SHOULDER BELT ASSEMBLY CTR (OUTBACK MODEL)

1) Disconnect the ground cable from battery and wait for at least 60 seconds before starting work.

CAUTION:

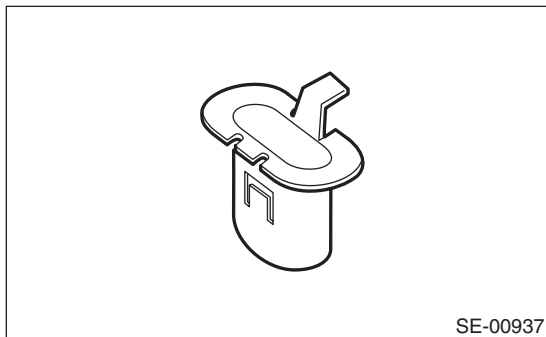
The airbag system is fitted with a backup power supply. After disconnecting the battery ground cable, the airbag may operate if you do not wait for 60 seconds before starting the service of airbag system.

2) Remove the rear seat cushion.

(1) Pull up the seat cushion and release the hook.

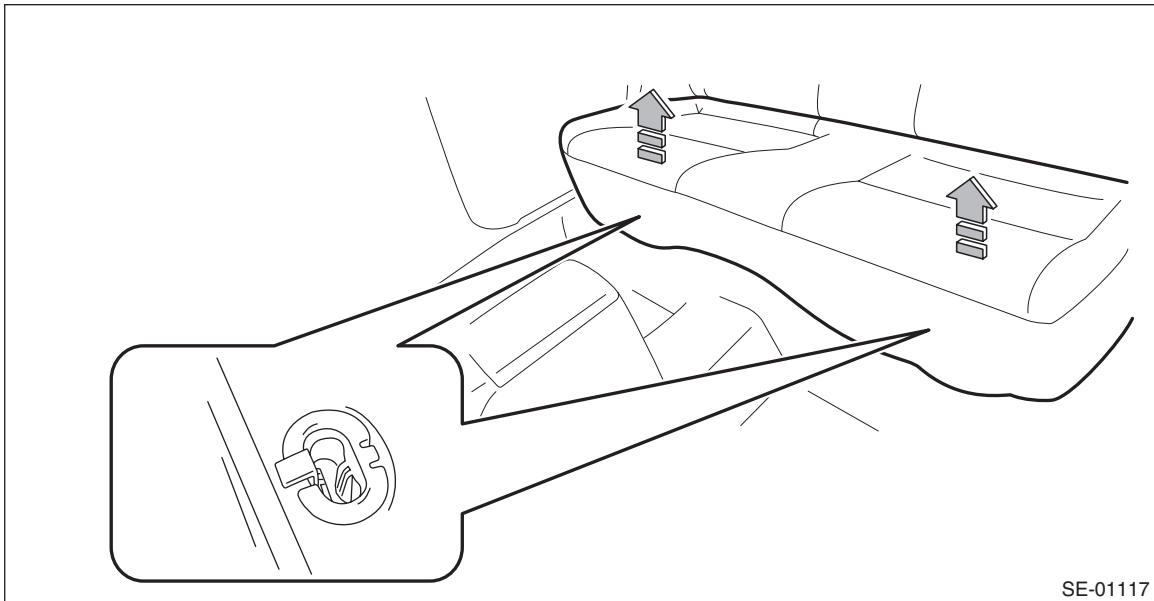
CAUTION:

If the hook is disconnected from the vehicle body, replace the hook with the new part to prevent the decline of the fixed force of the seat.

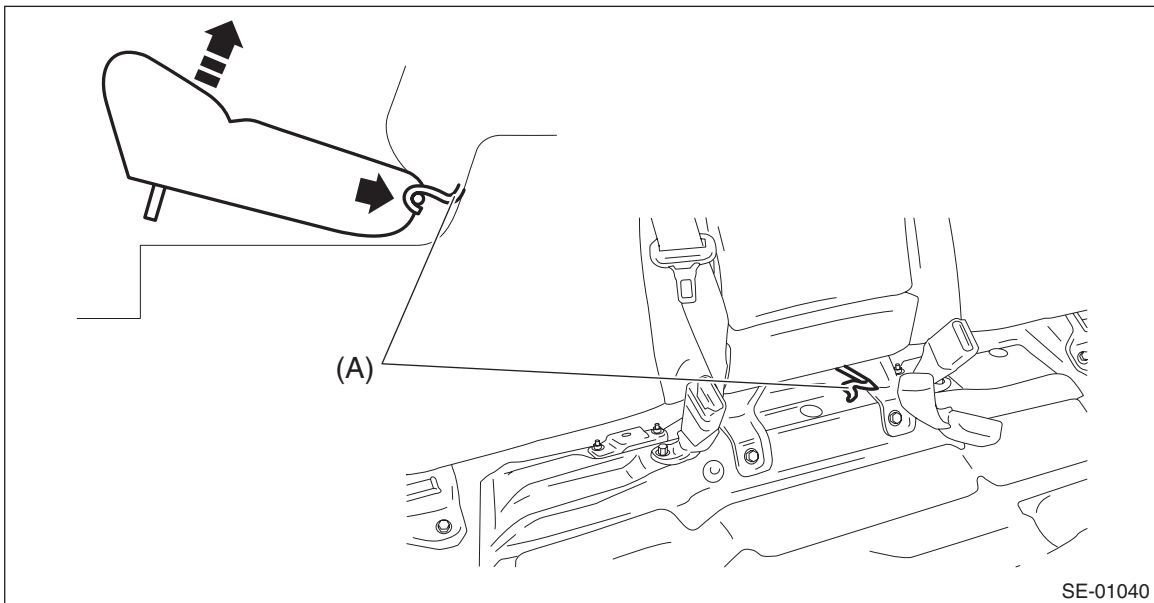


Rear Seat Belt

SEAT BELT SYSTEM



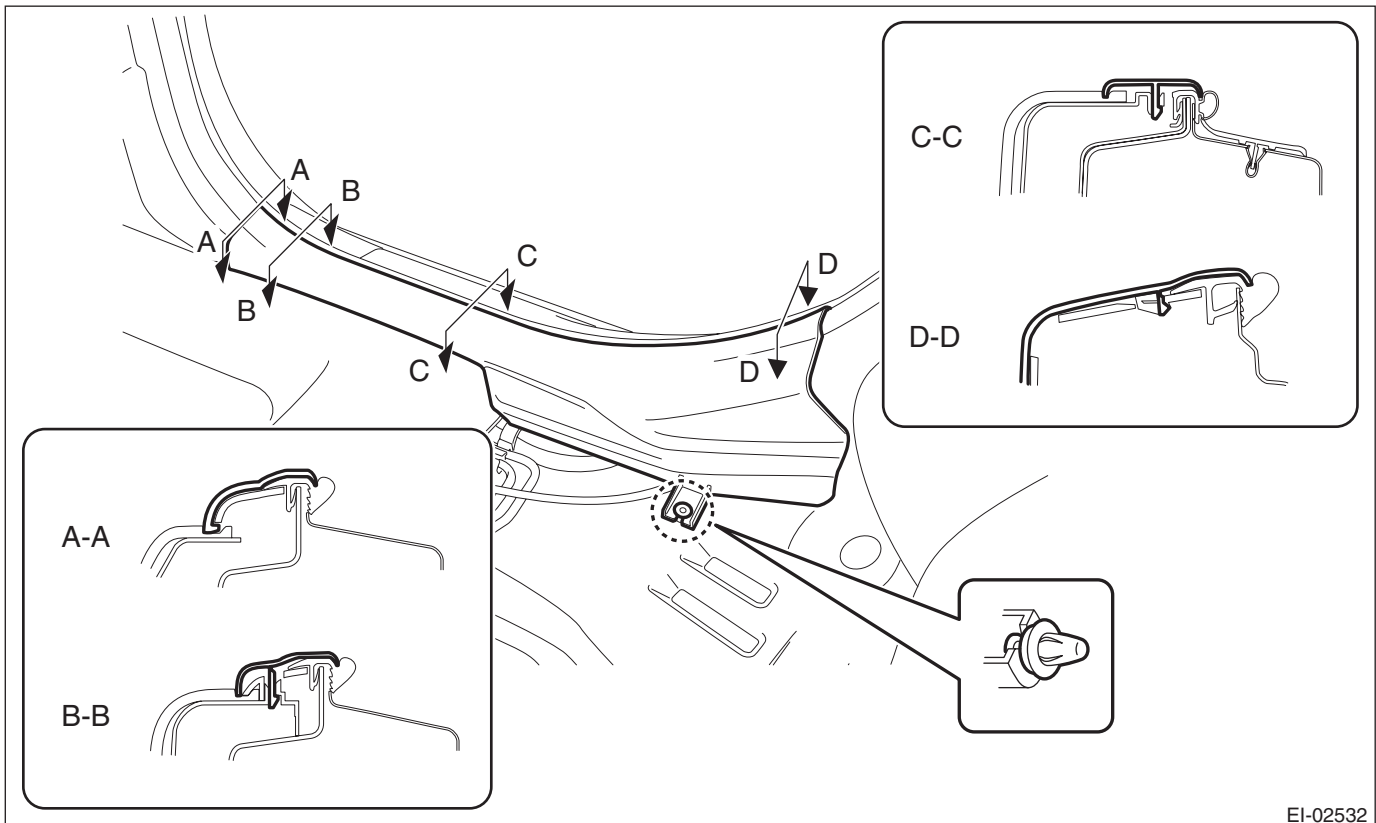
(2) Remove the hook (A) by pushing it back while lifting the front side of the seat cushion, and remove the seat cushion.



3) Release the clips and claws, and remove the side sill covers - rear INN on the left and right sides.

CAUTION:

Do not pull with excessive force. Doing so may damage the claws of the side sill cover INN.

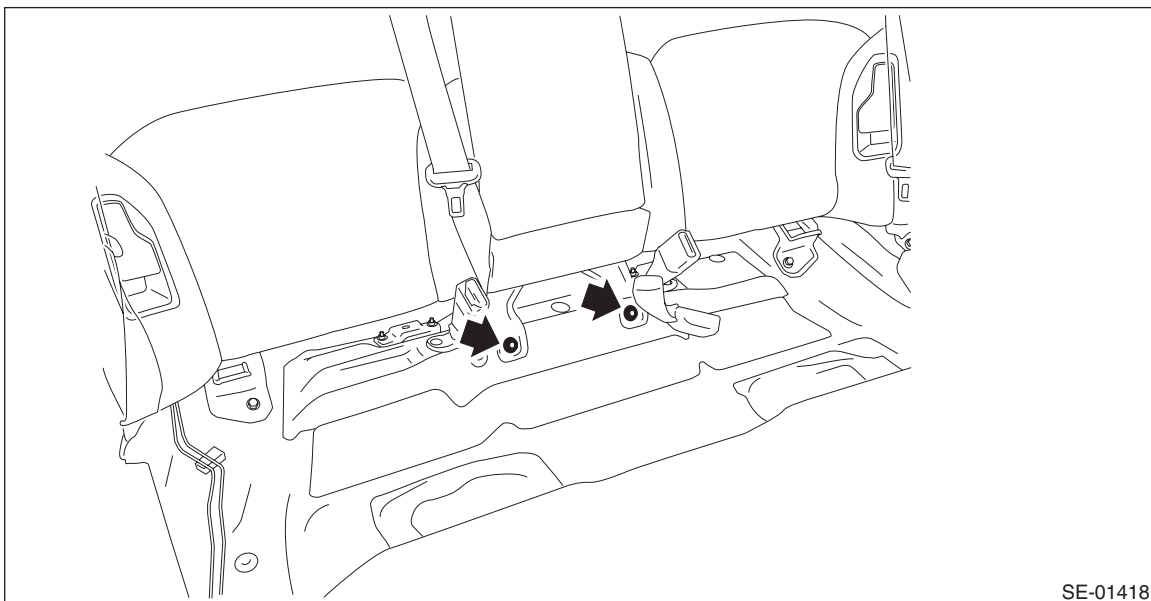


EI-02532

NOTE:

To release the claws of the side sill cover INN, the following steps are recommended.

1. Take out the weather strip from under the side sill cover INN.
2. Turn over the floor mat and release the claw (C-C and D-D) by accessing from behind the side sill cover INN.
- 4) Remove the headrest.
- 5) Remove the backrest assembly RH.
 - (1) Remove the hinge bolts at the front of the backrest assembly RH.

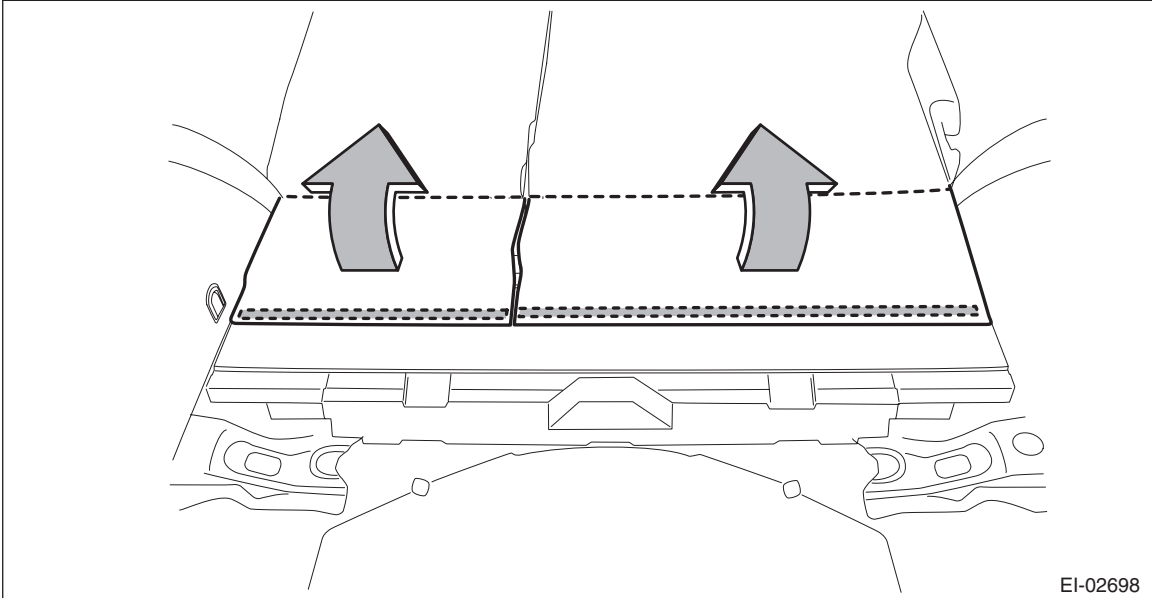


SE-01418

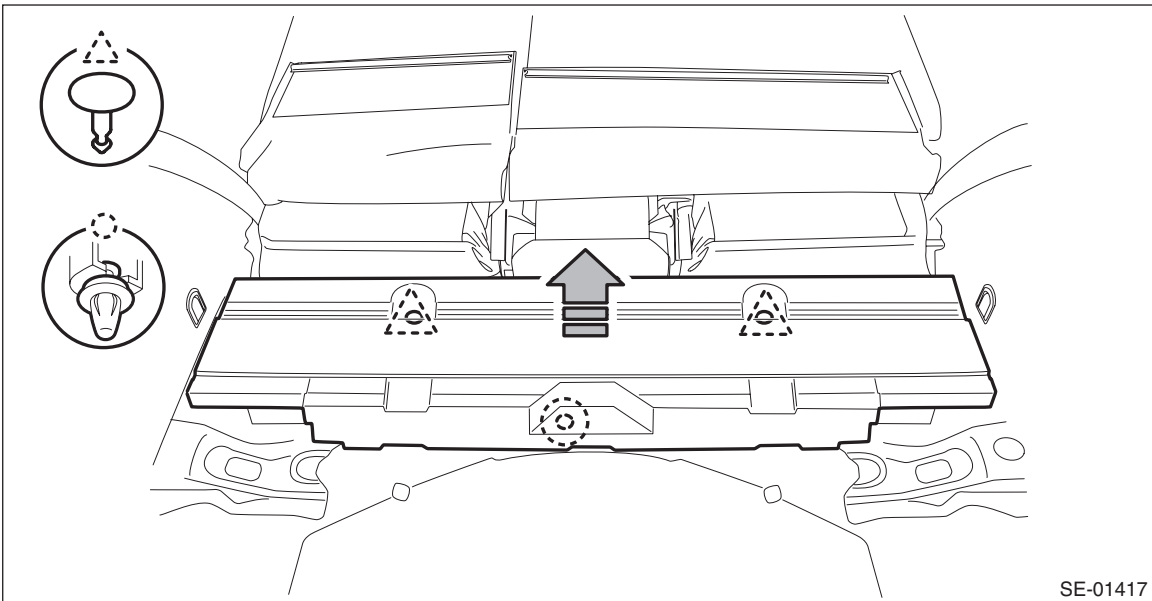
Rear Seat Belt

SEAT BELT SYSTEM

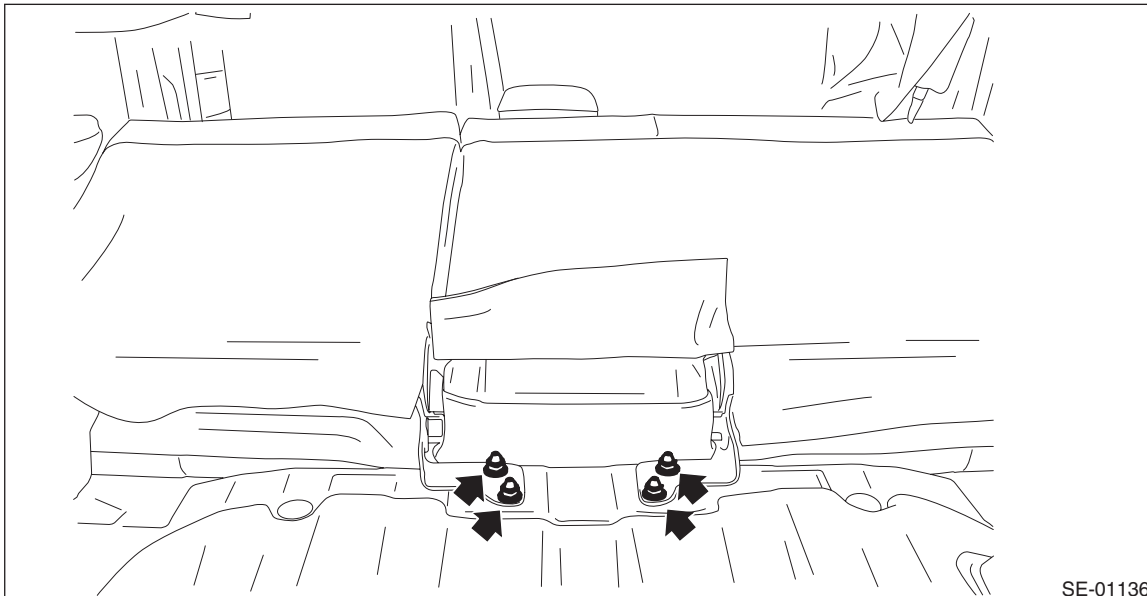
- (2) Tilt the backrest forward, and then turn over the backrest backside mat.



- (3) Remove the clips, and remove the rear floor mat - front.

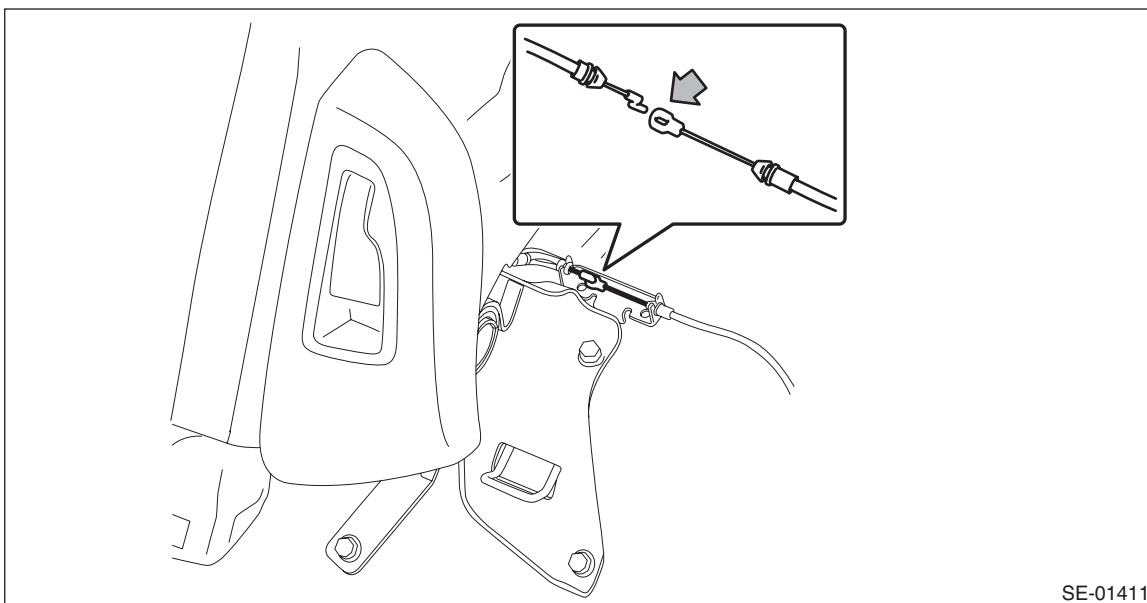


(4) Remove the nuts at the rear of backrest hinge.



SE-01136

(5) Disconnect the backrest cable and reclining cable.



SE-01411

NOTE:

The backrests cannot be detached while pin positions of the hinge assembly and backrests are not aligned.

Rear Seat Belt

SEAT BELT SYSTEM

- (6) Remove the backrest assembly RH from the hinge assembly RH.



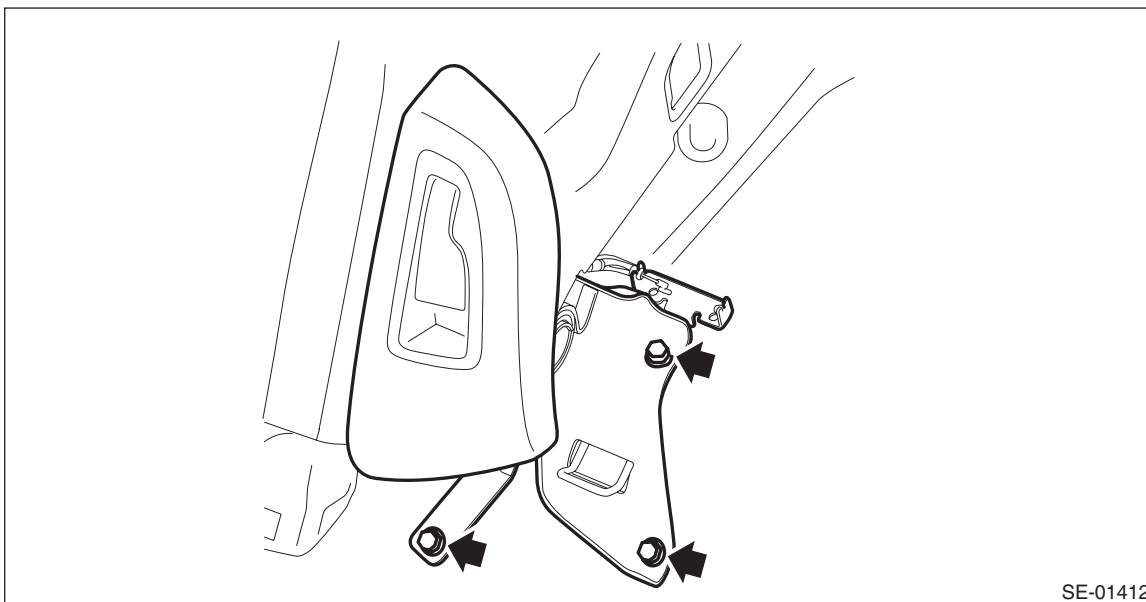
SE-01049

NOTE:

The backrests cannot be detached while pin positions of the hinge assembly and backrests are not aligned.

- (7) Take out the part outside the vehicle so that the body is not damaged by the hinges.

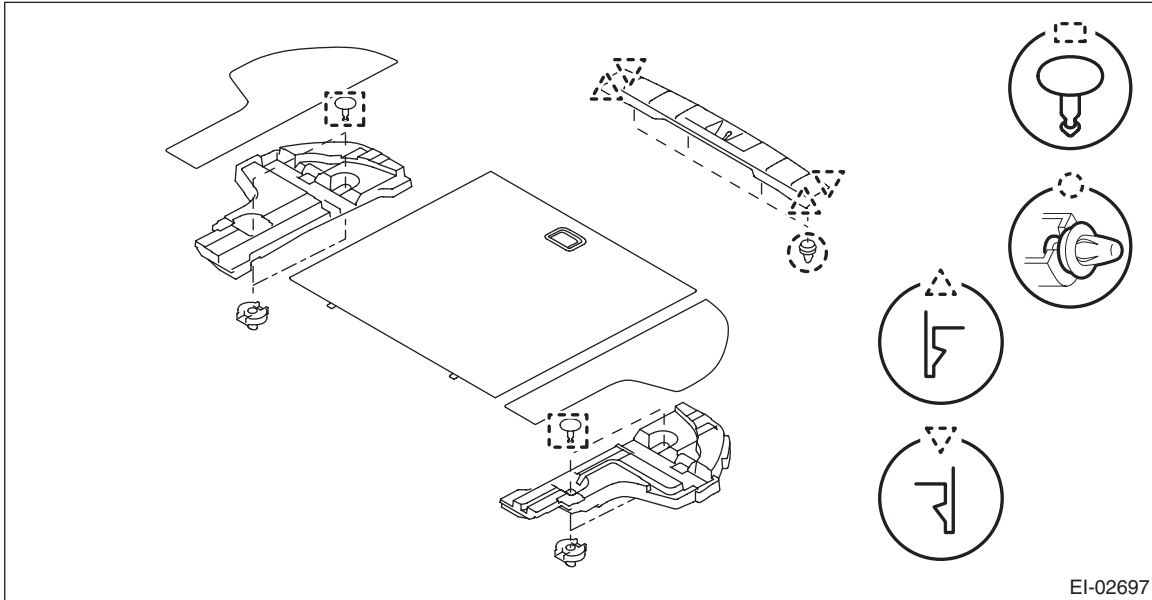
- 6) Remove the right and left bolts, and remove the backrest side pad assembly RH.



SE-01412

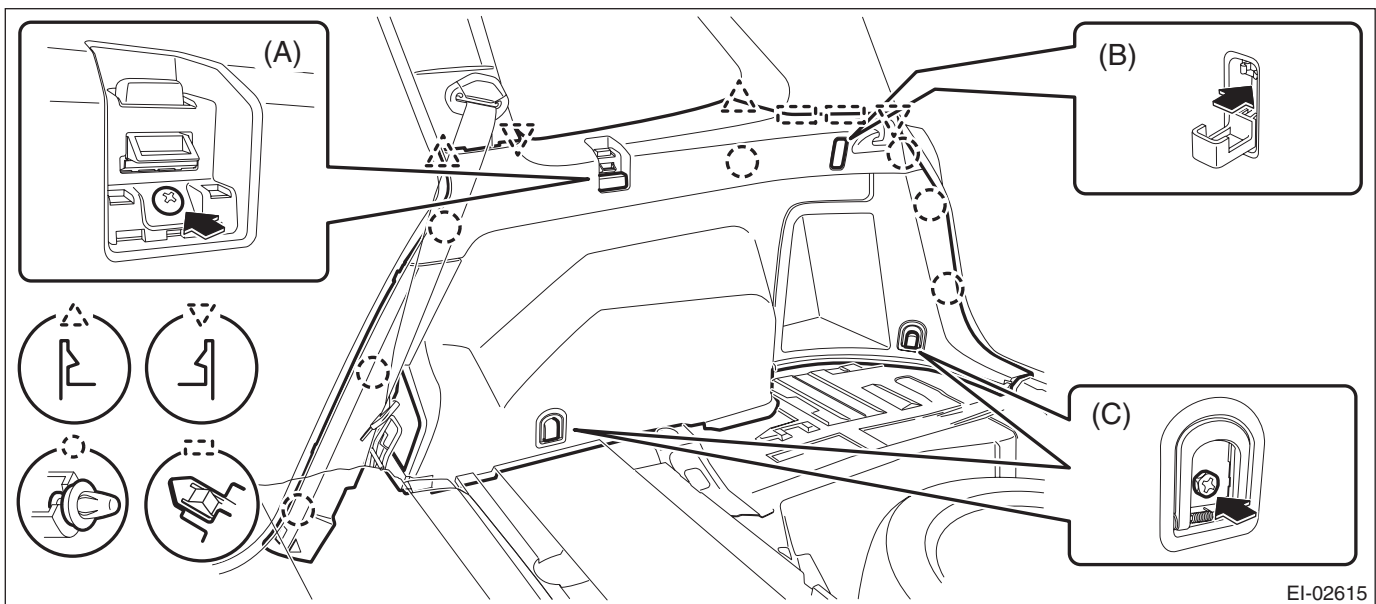
Rear Seat Belt

7) Remove the clips, and remove the luggage floor box and rear floor edge cover.



8) Remove the left and right rear quarter trim LWR.

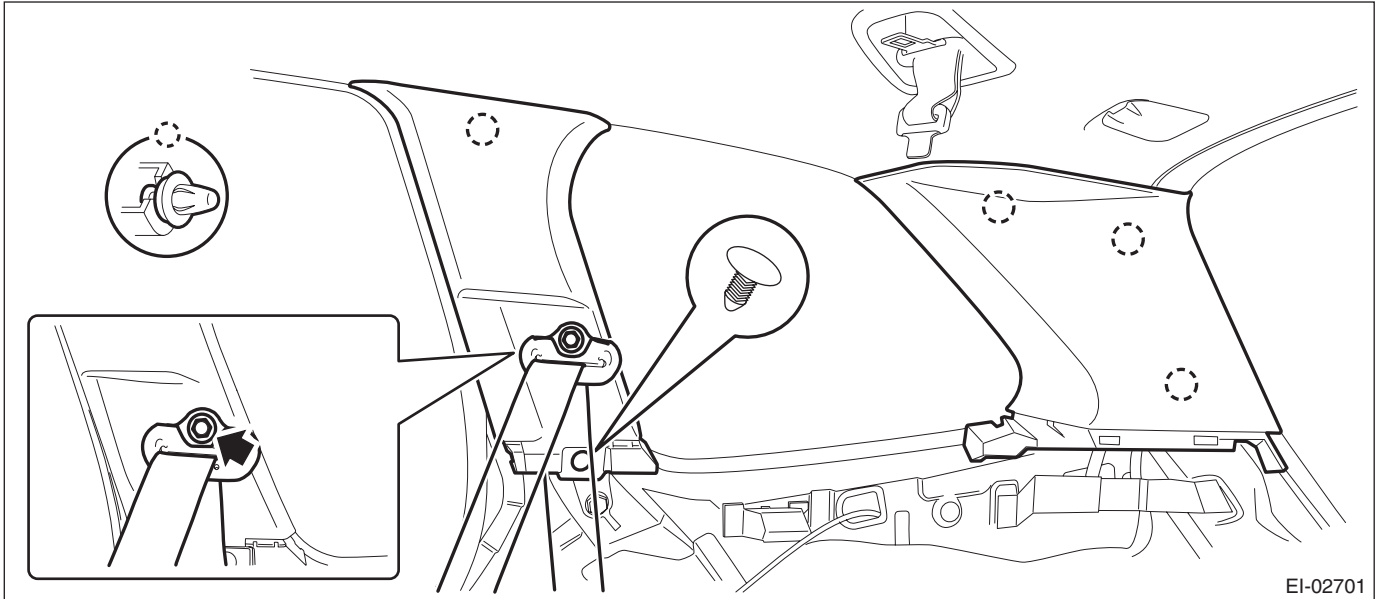
- (1) Remove the caps, screws, and bolts. (A), (C)
- (2) Take out the hook and remove the screw inside. (B)
- (3) Remove the clips, and remove the rear quarter trim LWR.



Rear Seat Belt

SEAT BELT SYSTEM

- 9) Remove the left and right rear quarter trim UPR.
- (1) Open the cap and remove the bolt to remove the seat belt anchor.
 - (2) Remove the clips, and remove the rear quarter trim UPR - front.
 - (3) Remove the clips, and remove the rear quarter trim UPR - rear.

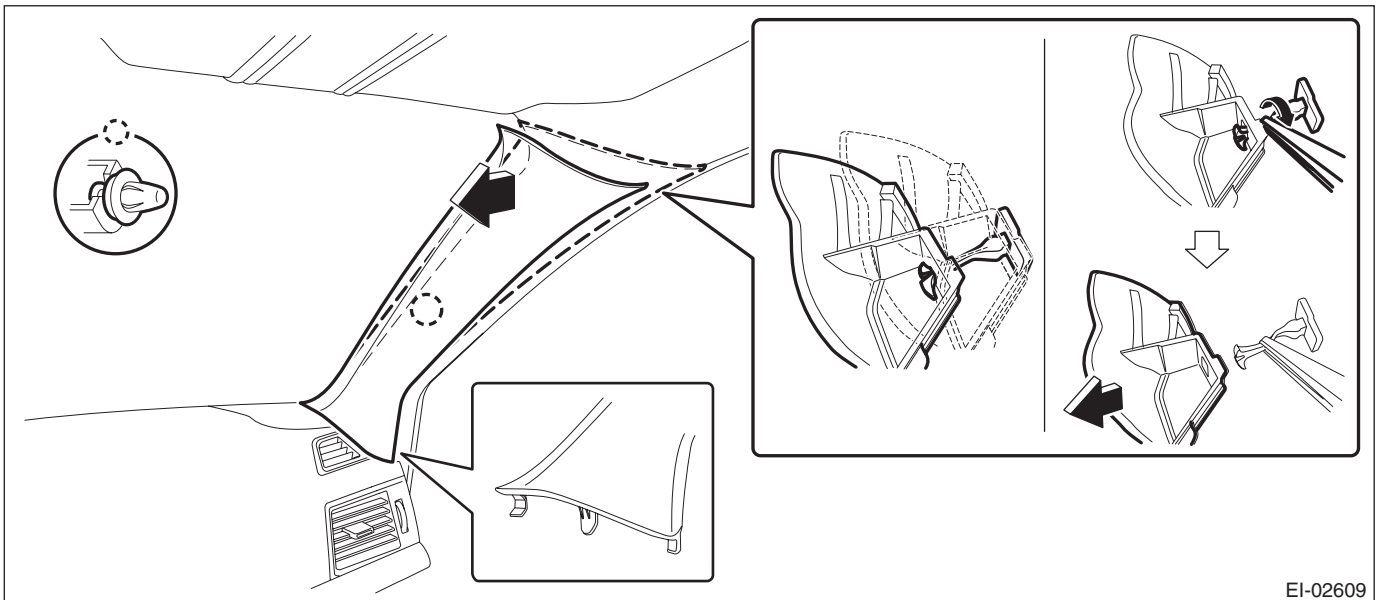


- 10) Remove the left and right front pillar trims.
- (1) Pull the upper part of the front pillar trim towards the center of the vehicle.
 - (2) Insert long-nose pliers into the top part of the trim, grip the tether clip with the pliers and twist 90° in that position.

CAUTION:

Be careful not to damage the pillar trim surface and curtain airbag module when inserting the pliers.

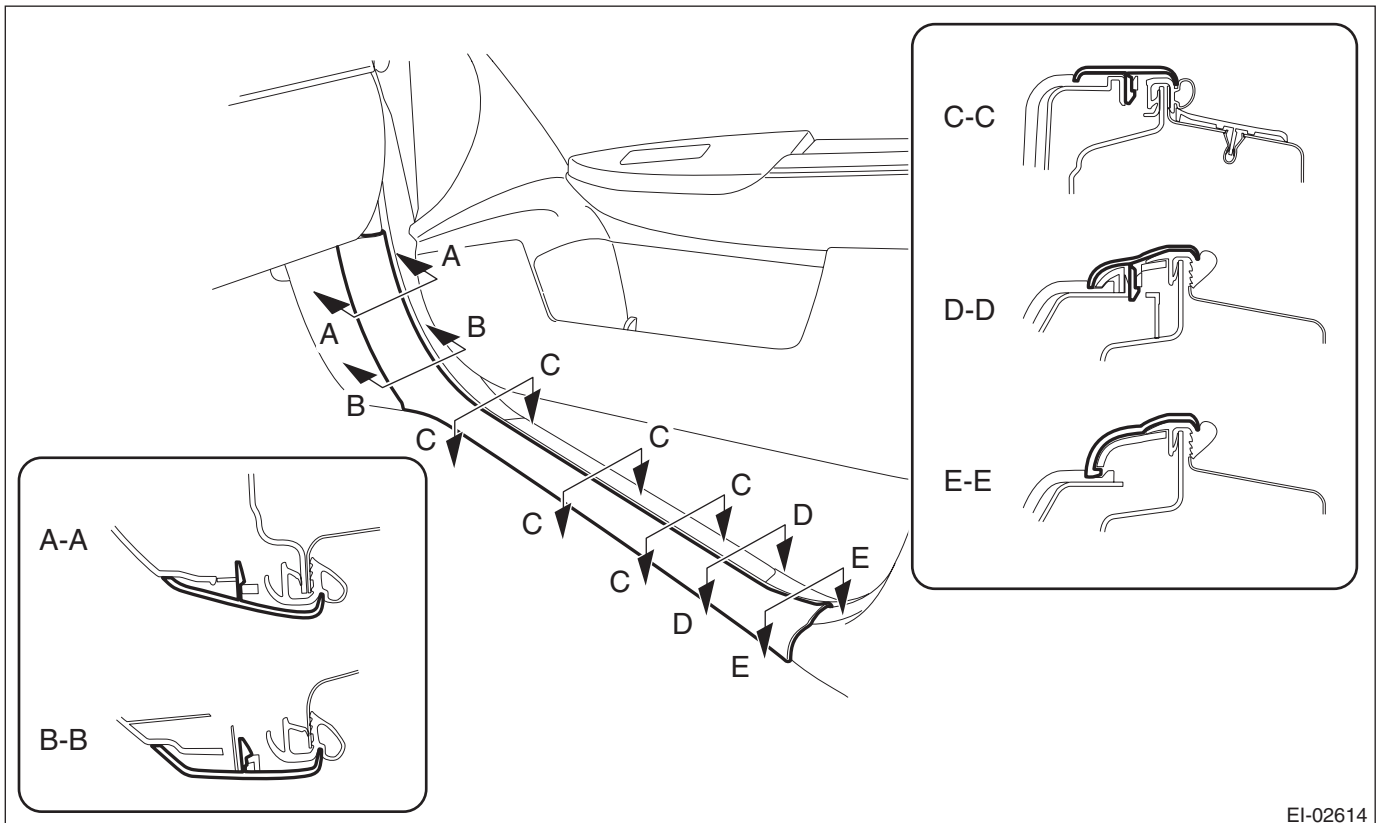
- (3) While holding the tether clip twisted as in the previous step, remove the front pillar trim from the tether clip.
- (4) Remove the clip and the front pillar trim.



11) Release the claws, and then remove the side sill cover - front INN on the left and right sides.

CAUTION:

Do not pull with excessive force. Doing so may damage the claws of the side sill cover INN.



EI-02614

NOTE:

To release the claws of the side sill cover INN, the following steps are recommended.

1. Take out the weather strip from under the side sill cover INN.
2. Turn over the floor mat and release the claw (C-C) by accessing from behind the side sill cover INN.

Rear Seat Belt

SEAT BELT SYSTEM

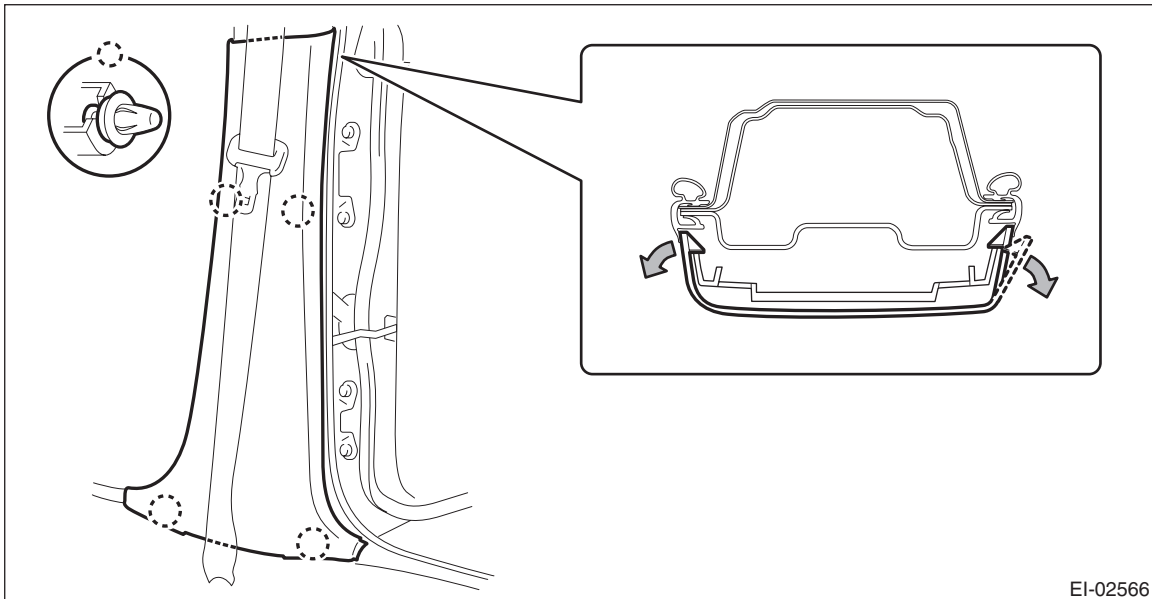
12) Remove the left and right center pillar trim LWR.

(1) Release the clip by pulling the center pillar trim LWR toward you.

(2) Expand the claws of center pillar trim LWR outward and remove it from the center pillar trim UPR.

CAUTION:

Do not expand the center pillar trim LWR excessively. Doing so may damage the trim.



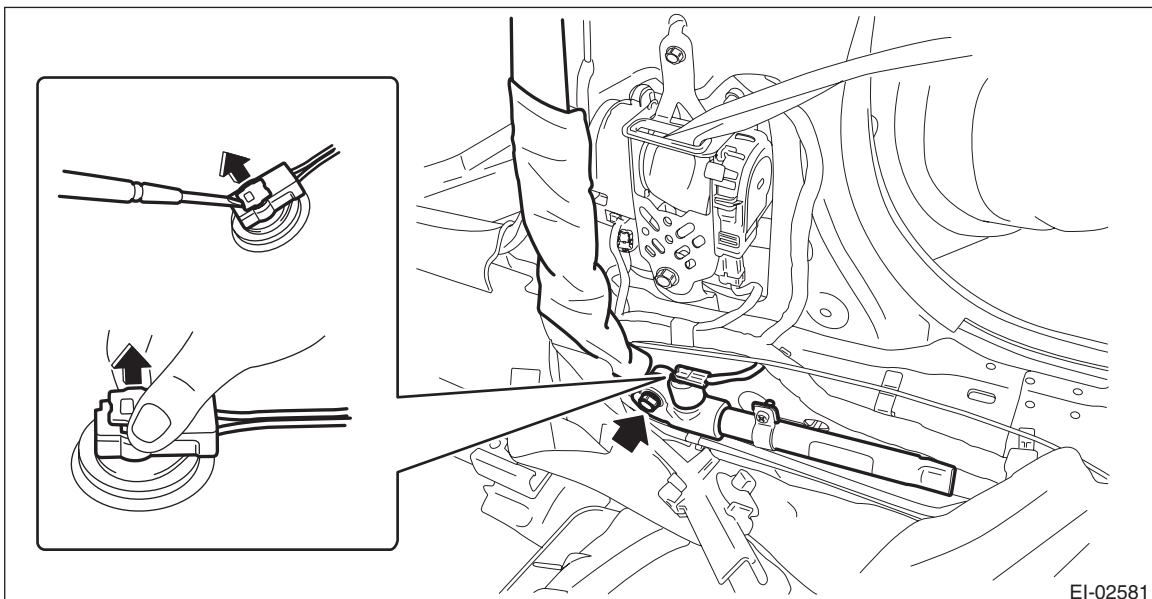
EI-02566

NOTE:

First release the claw located to the rear of the vehicle.

13) Remove the left and right center pillar trim UPR.

(1) Also disconnect the connector of lap seat belt pretensioner, and remove the seat belt lower anchor bolt.



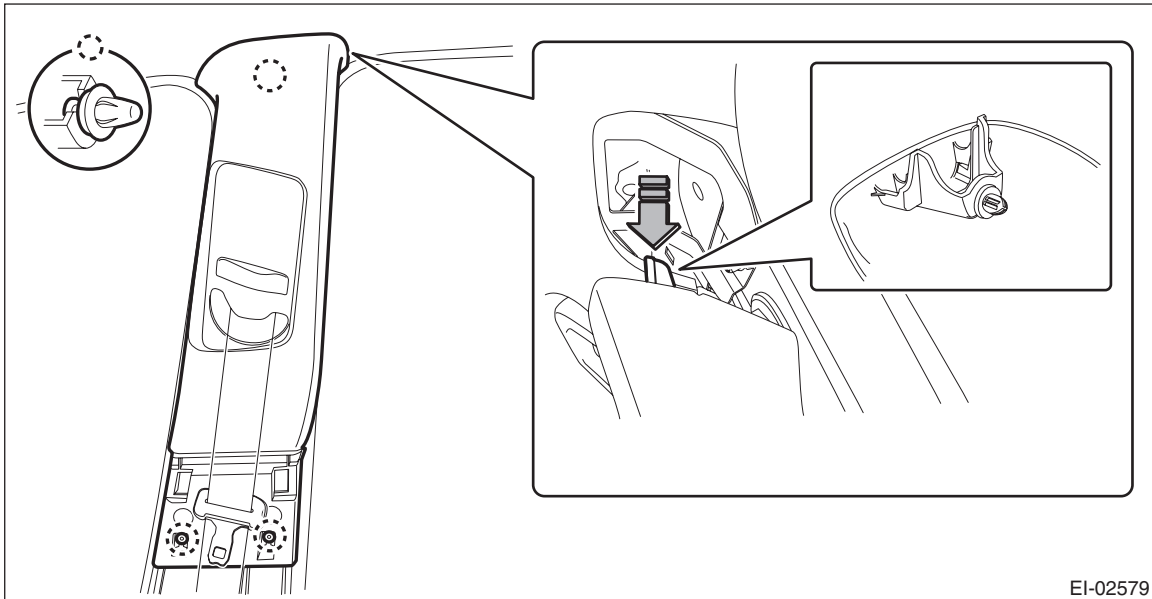
EI-02581

(2) Release the clip by pulling the lower part of the trim toward you.

(3) Remove the clip by pulling the upper part of the trim toward you, and while lowering the entire trim, remove the center pillar trim UPR.

CAUTION:

Do not reuse the upper clips of the center pillar trim UPR. Once the clip is removed, its holding force is reduced. Be sure to replace it with a new clip.



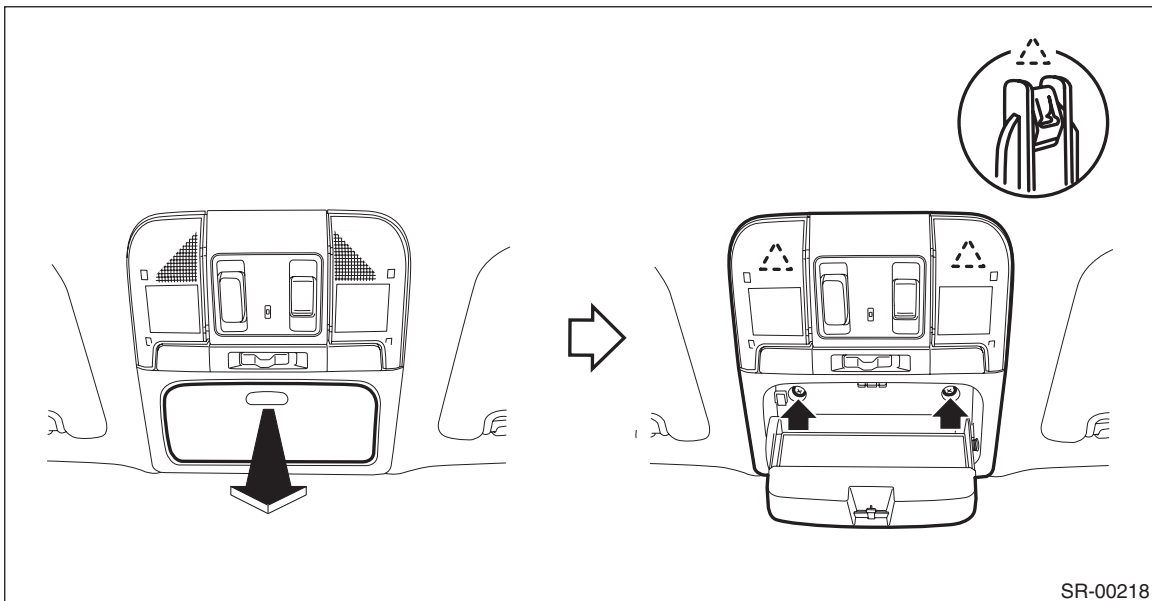
EI-02579

(4) Pull out the seat belt from the center pillar trim UPR.

14) Remove the overhead console assembly. (Models without EyeSight)

(1) Push and open the rear end of the overhead console lid, and remove the screws.

(2) Disconnect the connector and remove the overhead console assembly.



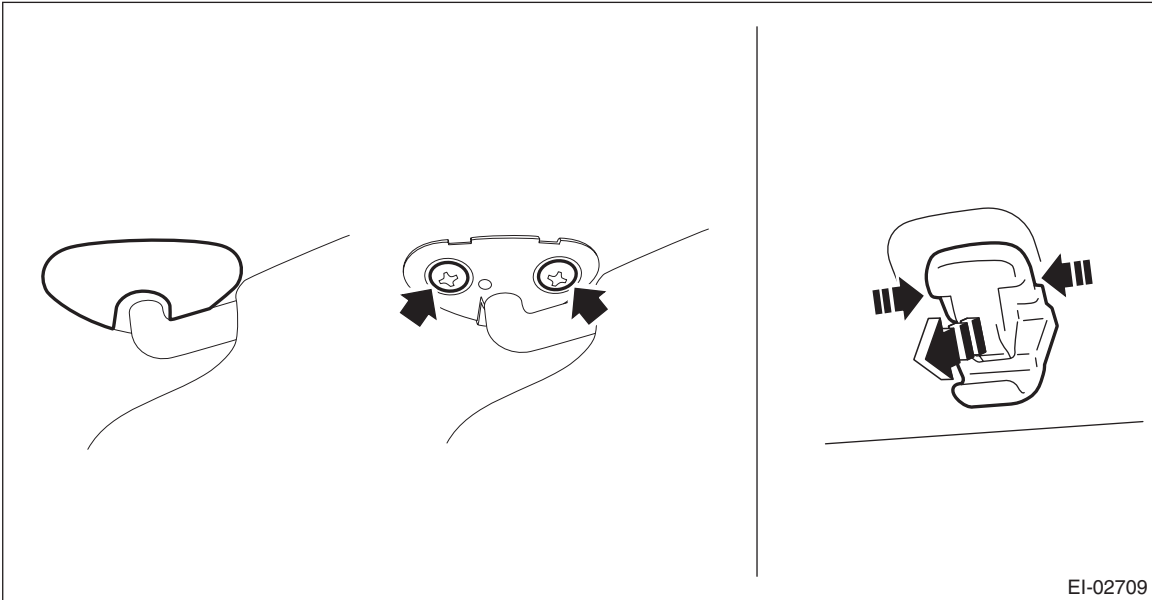
SR-00218

15) Remove the stereo camera cover. (Models with EyeSight) <Ref. to ES-8, REMOVAL, Stereo Camera.>

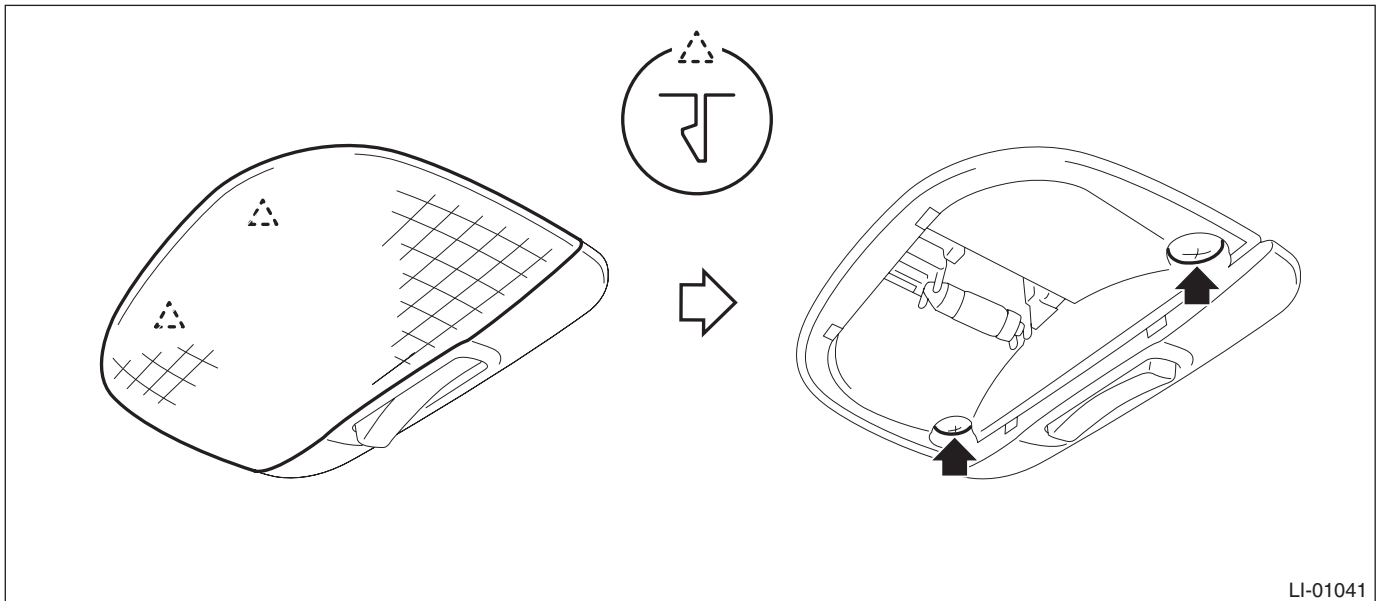
Rear Seat Belt

SEAT BELT SYSTEM

- 16) Remove the left and right sun visor assembly.
- (1) Remove the cover, loosen the screws, and remove the sun visor assembly.
 - (2) Press the both sides of the sun visor hook using a flat tip screwdriver.
 - (3) Remove the sun visor hook by pulling toward you.



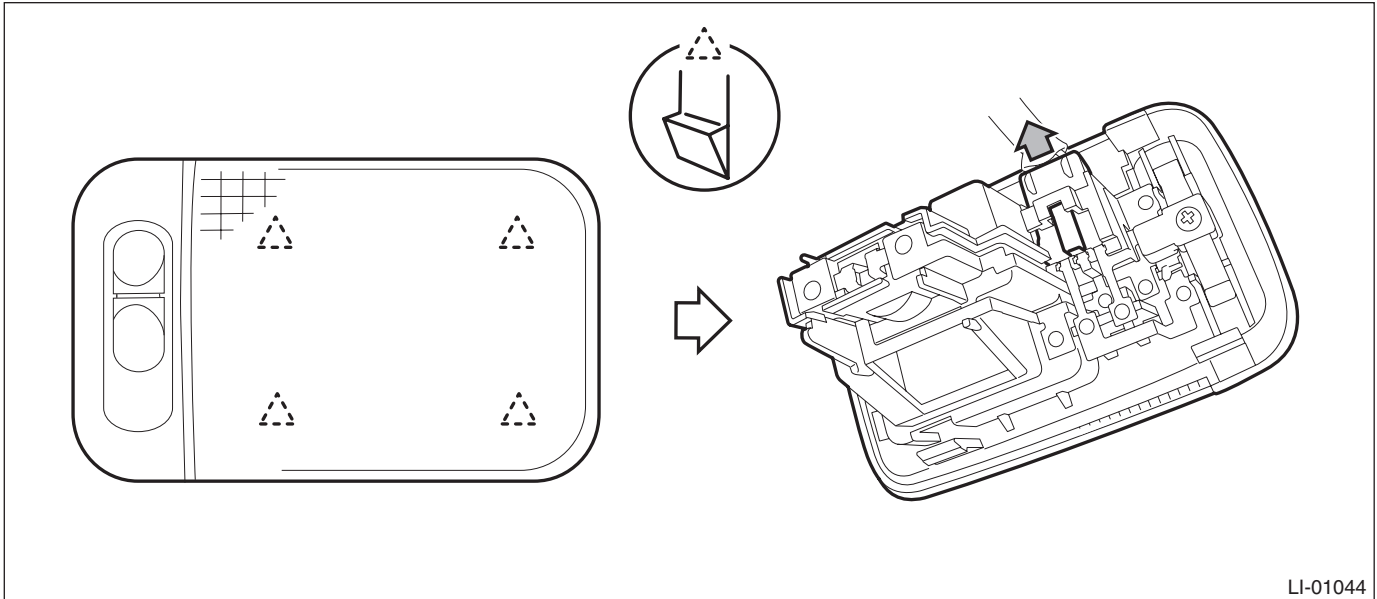
- 17) Remove the room light assembly.
- (1) Release the claws and remove the cover.
 - (2) Remove the two screws.



- (3) Disconnect the connector and remove the room light assembly.

18) Remove the luggage room light.

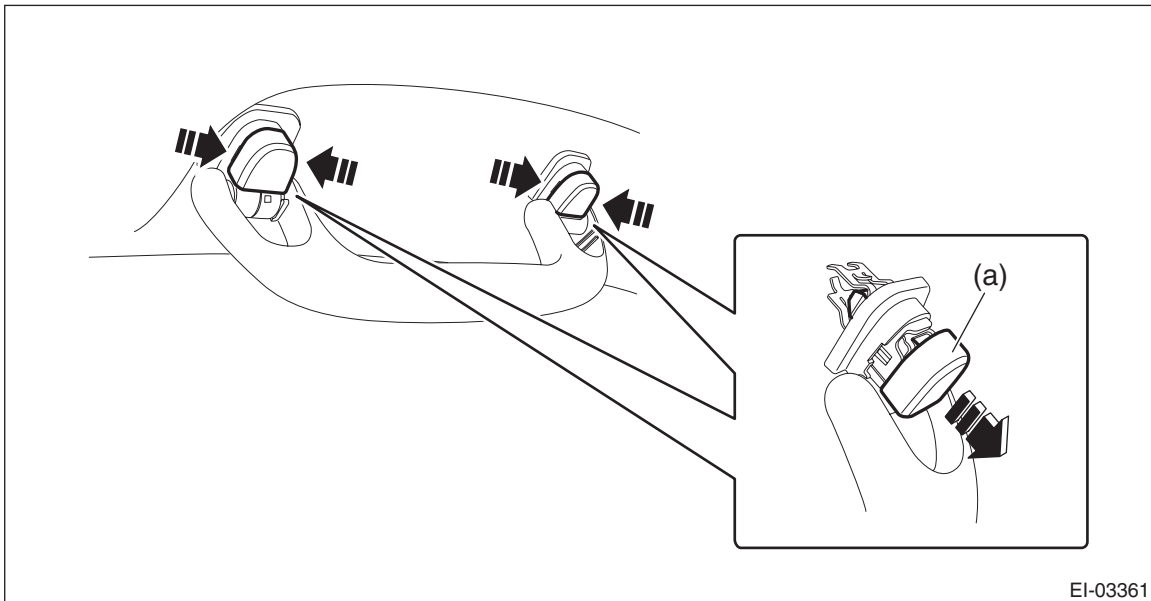
- (1) Release the claws and remove the luggage room light main body.
- (2) Disconnect the connector and remove the luggage room light.



LI-01044

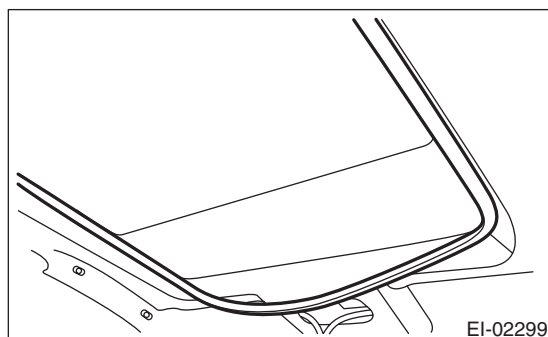
19) Remove all assist grip assembly.

- (1) Remove the cap (a) by pulling the both sides of the cap (a) using a flat tip screwdriver wrapped with a protection tape.
- (2) Pull the assist grip toward you (to the vehicle center) and remove the metal clip from the bracket.



EI-03361

20) Remove the sun roof garnish. (model with sunroof)

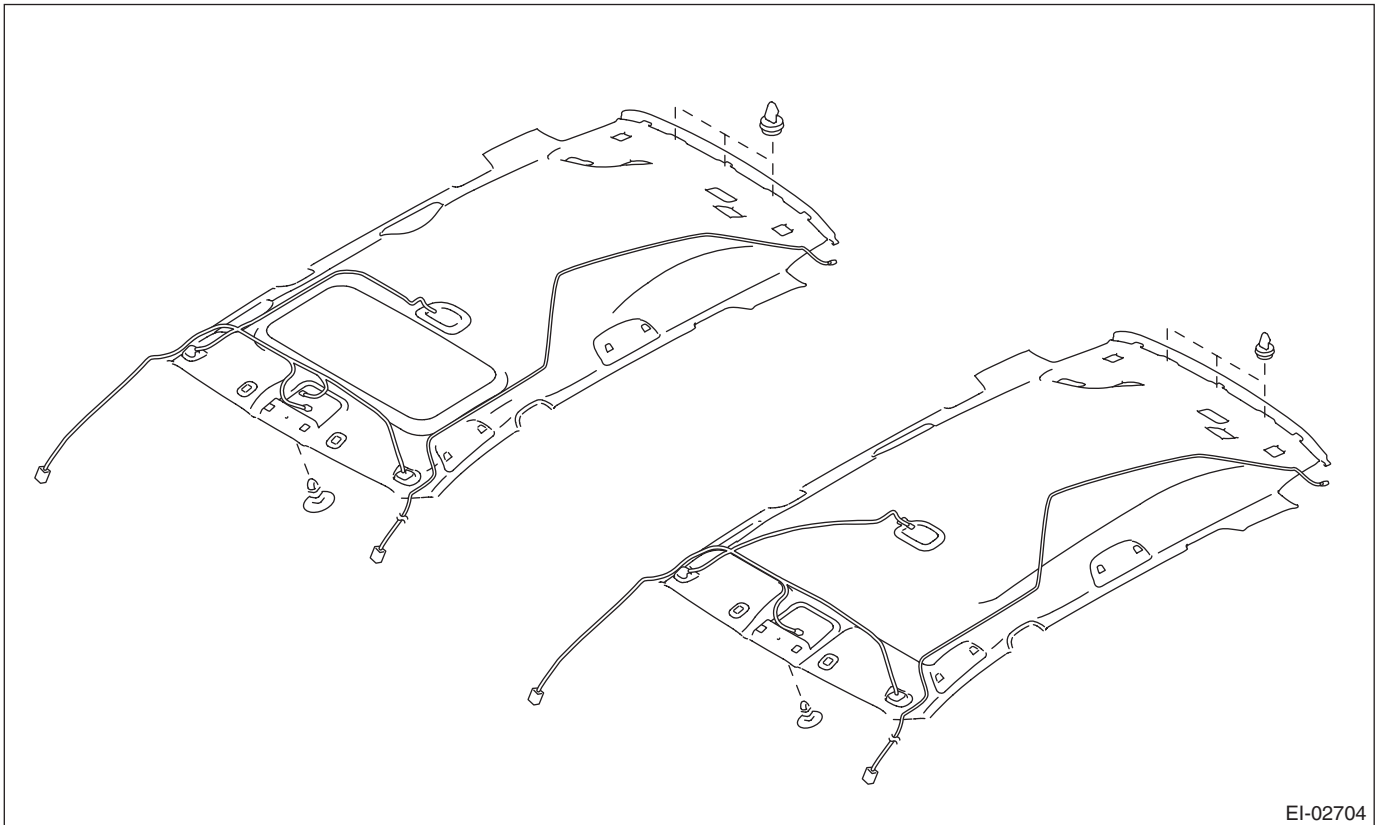


EI-02299

Rear Seat Belt

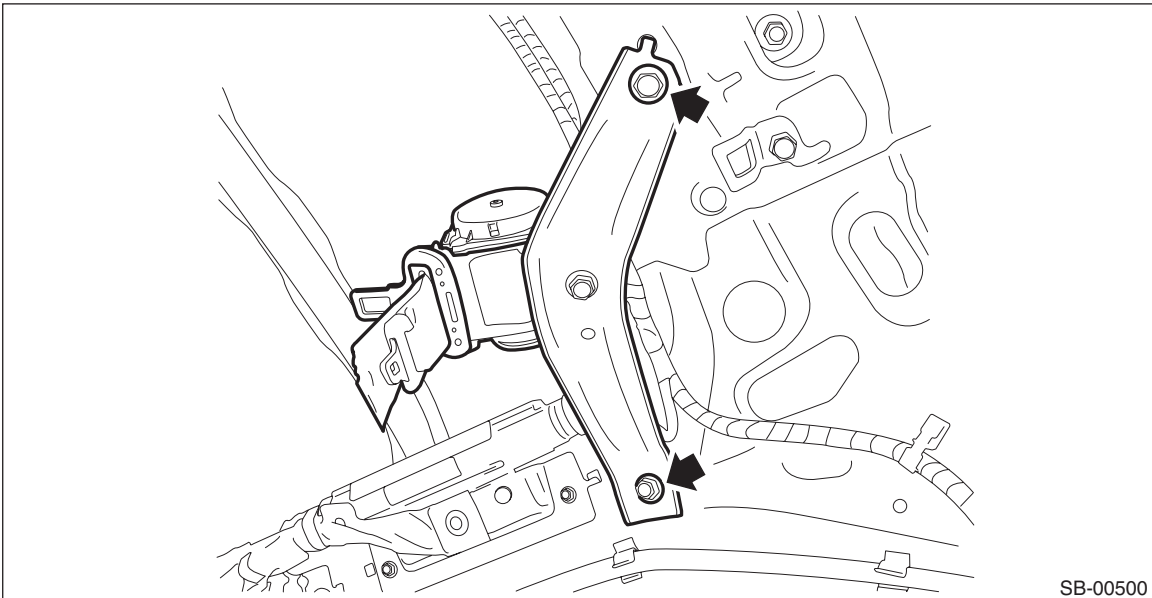
SEAT BELT SYSTEM

- 21) Disconnect the roof harness connector at the front pillar RH.
- 22) Remove the roof trim assembly.
 - (1) Release the clips and remove the feeder cable from the roof trim.
 - (2) Take out the roof trim assembly from the rear gate opening to outside.



EI-02704

- 23) Remove the bolts, and remove the shoulder belt assembly CTR.



SB-00500

5. CENTER BELT RH ASSEMBLY & LH ASSEMBLY

1) Disconnect the ground cable from battery and wait for at least 60 seconds before starting work.

CAUTION:

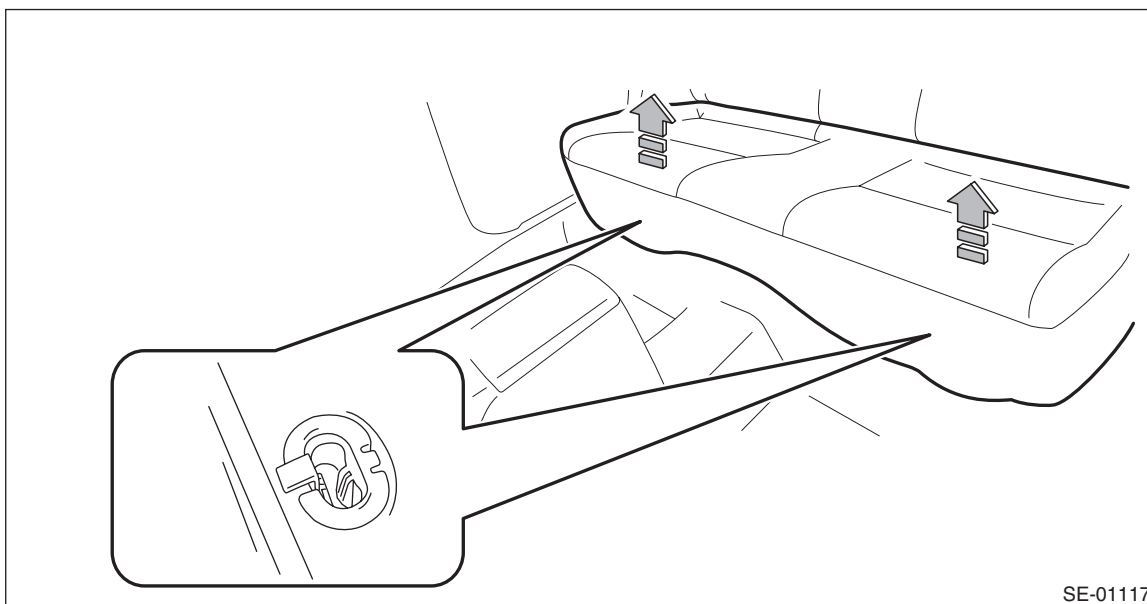
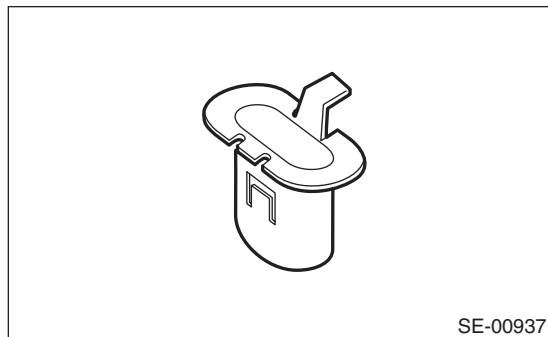
The airbag system is fitted with a backup power supply. After disconnecting the battery ground cable, the airbag may operate if you do not wait for 60 seconds before starting the service of airbag system.

2) Remove the rear seat cushion.

(1) Pull up the seat cushion and release the hook.

CAUTION:

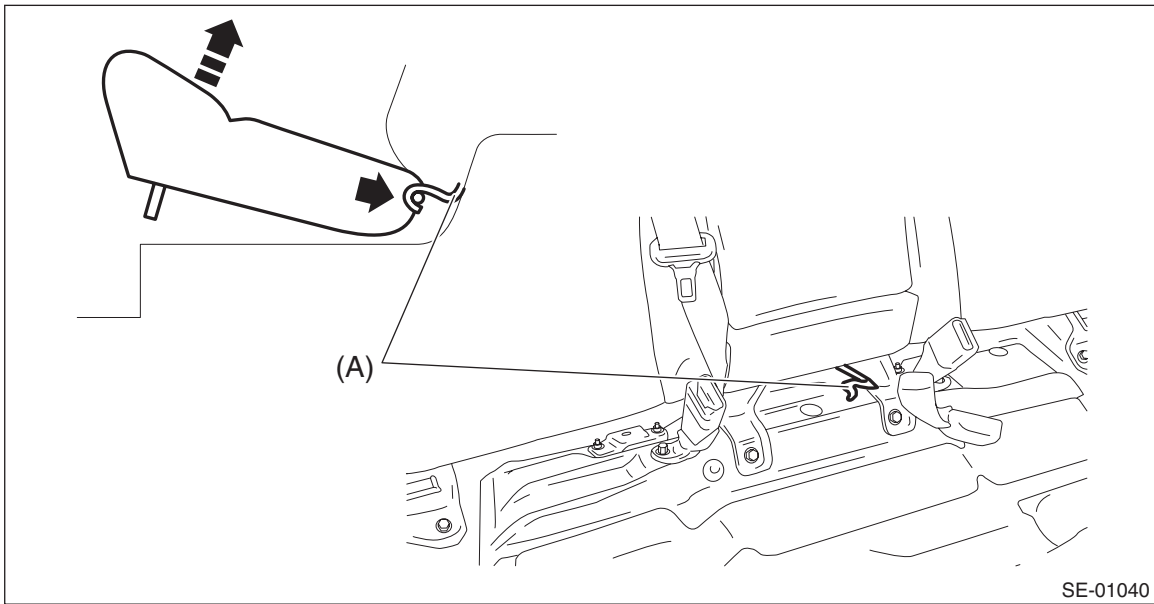
If the hook is disconnected from the vehicle body, replace the hook with the new part to prevent the decline of the fixed force of the seat.



Rear Seat Belt

SEAT BELT SYSTEM

(2) Remove the hook (A) by pushing it back while lifting the front side of the seat cushion, and remove the seat cushion.

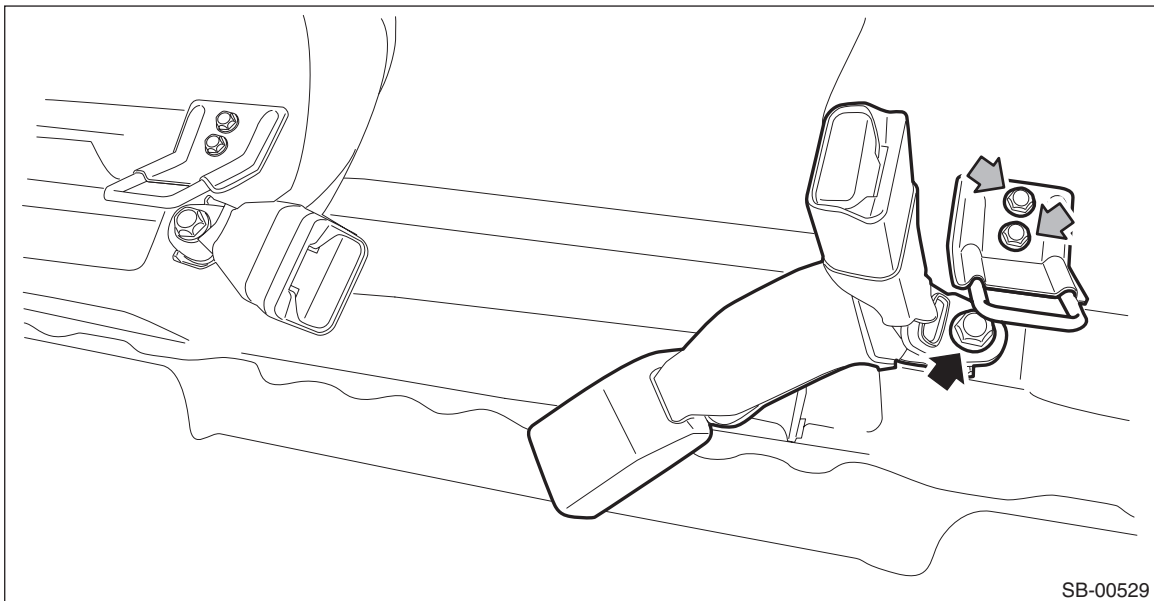


3) Remove the center belt RH assembly & LH assembly.

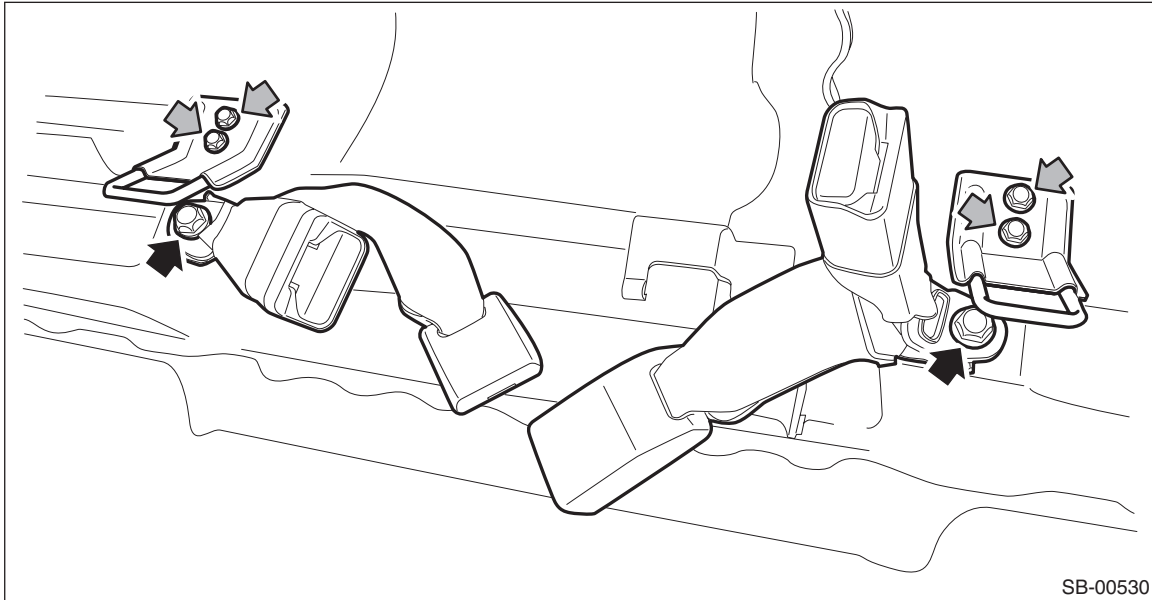
(1) Remove the bolts and remove the ISO-FIX anchor.

(2) Remove the bolts, then remove the center belt RH assembly & LH assembly.

- Sedan model



- OUTBACK model

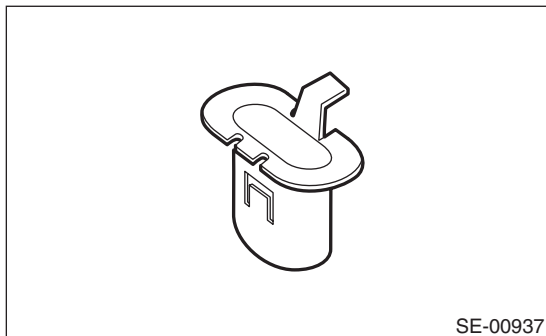


B: INSTALLATION

1. OUTER BELT RH ASSEMBLY & LH ASSEMBLY (SEDAN MODEL)

CAUTION:

If the hook is disconnected from the vehicle body, replace the hook with the new part to prevent the decline of the fixed force of the seat.



- 1) Before installation, perform a unit inspection of retractor. <Ref. to SB-70, INSPECTION, Rear Seat Belt.>
- 2) Install the outer belt assembly.

CAUTION:

- During installation, make sure that the seat belts are not twisted.
- After installation, make sure that the seat belts are smoothly extended and wound.

Tightening torque:

REAR SEAT BELT (SEDAN MODEL): <Ref. to SB-3, REAR SEAT BELT (SEDAN MODEL), COMPONENT, General Description.>

- 3) Install the remaining parts in the reverse order of removal.
- 4) After installation, check the following points.
 - The seat belt is not twisted.
 - The seat belt can be pulled out and retracted smoothly.

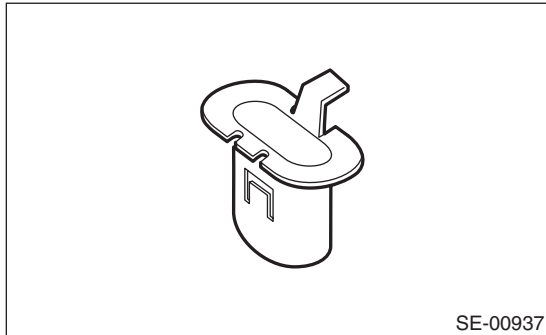
Rear Seat Belt

SEAT BELT SYSTEM

2. OUTER BELT RH ASSEMBLY & LH ASSEMBLY (OUTBACK MODEL)

CAUTION:

If the hook is disconnected from the vehicle body, replace the hook with the new part to prevent the decline of the fixed force of the seat.



- 1) Before installation, perform a unit inspection of retractor. <Ref. to SB-70, INSPECTION, Rear Seat Belt.>
- 2) Install the outer seat belt retractor.

Tightening torque:

Rear seat belt (OUTBACK model): <Ref. to SB-4, REAR SEAT BELT (OUTBACK MODEL), COMPONENT, General Description.>

- 3) Install the rear quarter trim UPR.
- 4) Install the outer belt shoulder anchor.
- 5) Install the outer belt lower anchor.

CAUTION:

- During installation, make sure that the seat belts are not twisted.
- After installation, make sure that the seat belts are smoothly extended and wound.

Tightening torque:

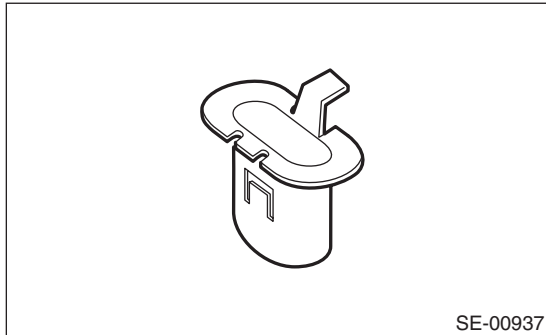
Rear seat belt (OUTBACK model): <Ref. to SB-4, REAR SEAT BELT (OUTBACK MODEL), COMPONENT, General Description.>

- 6) Install the remaining parts in the reverse order of removal.
- 7) After installation, check the following points.
 - The seat belt is not twisted.
 - The seat belt can be pulled out and retracted smoothly.

3. SHOULDER BELT CTR ASSEMBLY (SEDAN MODEL)

CAUTION:

If the hook is removed from vehicle body, replace the hook with the new part to avoid the deterioration of seat securing.



1) Install the shoulder belt retractor.

Tightening torque:

REAR SEAT BELT (SEDAN MODEL): <Ref. to SB-3, REAR SEAT BELT (SEDAN MODEL), COMPONENT, General Description.>

2) Install the rear shelf trim.

3) Install the shoulder belt lower anchor.

CAUTION:

- During installation, make sure that the seat belts are not twisted.
- After installation, make sure that the seat belts are smoothly extended and wound.

Tightening torque:

REAR SEAT BELT (SEDAN MODEL): <Ref. to SB-3, REAR SEAT BELT (SEDAN MODEL), COMPONENT, General Description.>

4) Rear quarter upper trim

5) Install the remaining parts in the reverse order of removal.

6) After installation, check the following points.

- The seat belt is not twisted.
- The seat belt can be pulled out and retracted smoothly.

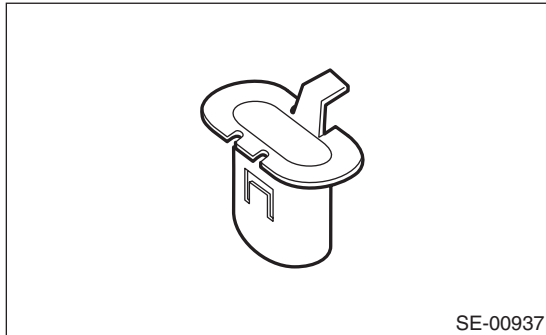
Rear Seat Belt

SEAT BELT SYSTEM

4. SHOULDER BELT CTR ASSEMBLY (OUTBACK MODEL)

CAUTION:

If the hook is disconnected from the vehicle body, replace the hook with the new part to prevent the decline of the fixed force of the seat.



- 1) Install the shoulder belt retractor.

Tightening torque:

Rear seat belt (OUTBACK model): <Ref. to SB-4, REAR SEAT BELT (OUTBACK MODEL), COMPONENT, General Description.>

- 2) Install the roof trim.
- 3) Install the remaining parts in the reverse order of removal.

CAUTION:

- For installation of the stereo camera cover, refer to “INSTALLATION”, “Stereo Camera Cover” in the “EyeSight” section and observe the precautions for installation. <Ref. to ES-12, INSTALLATION, Stereo Camera.>

- Do not reuse the tether clips on the upper part of the front pillar trim. Always replace with a new part.

Once the tether clip is removed from the pillar trim, the retention power deteriorates and the front pillar trim may come off.

- Do not reuse the clips on the upper part of the center pillar trim. Once the clip is removed, its holding force is reduced. Be sure to replace it with a new clip.

- Before installing the front pillar trim, check the condition of (white) protective unwoven cloth of curtain airbag. If it is damaged (airbag module cloth is exposed), replace the curtain airbag module assembly with a new part.

- 4) After installation, check the following points.

- The seat belt is not twisted.
- The seat belt can be pulled out and retracted smoothly.

5. CENTER BELT ASSEMBLY RH & LH

1) Install the center belt assembly.

Tightening torque:

REAR SEAT BELT (SEDAN MODEL): <Ref. to SB-3, REAR SEAT BELT (SEDAN MODEL), COMPONENT, General Description.>

Rear seat belt (OUTBACK model): <Ref. to SB-4, REAR SEAT BELT (OUTBACK MODEL), COMPONENT, General Description.>

2) Install the ISO-FIX anchor.

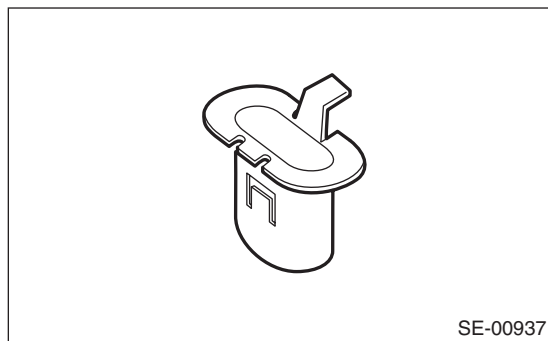
Tightening torque:

25 N·m (2.55 kgf·m, 18.4 ft·lb)

3) Install the rear seat cushion.

CAUTION:

If the hook is disconnected from the vehicle body, replace the hook with the new part to prevent the decline of the fixed force of the seat.



4) Install the remaining parts in the reverse order of removal.

5) After installation, check the following points.

- The seat belt is not twisted.
- Check that the airbag warning light lights up for approximately 6 seconds and then turns off when connecting the battery ground cable and turning the ignition switch to ON.

Rear Seat Belt

SEAT BELT SYSTEM

C: INSPECTION

1. VISUAL INSPECTION

Check for the following, and replace with new parts if necessary.

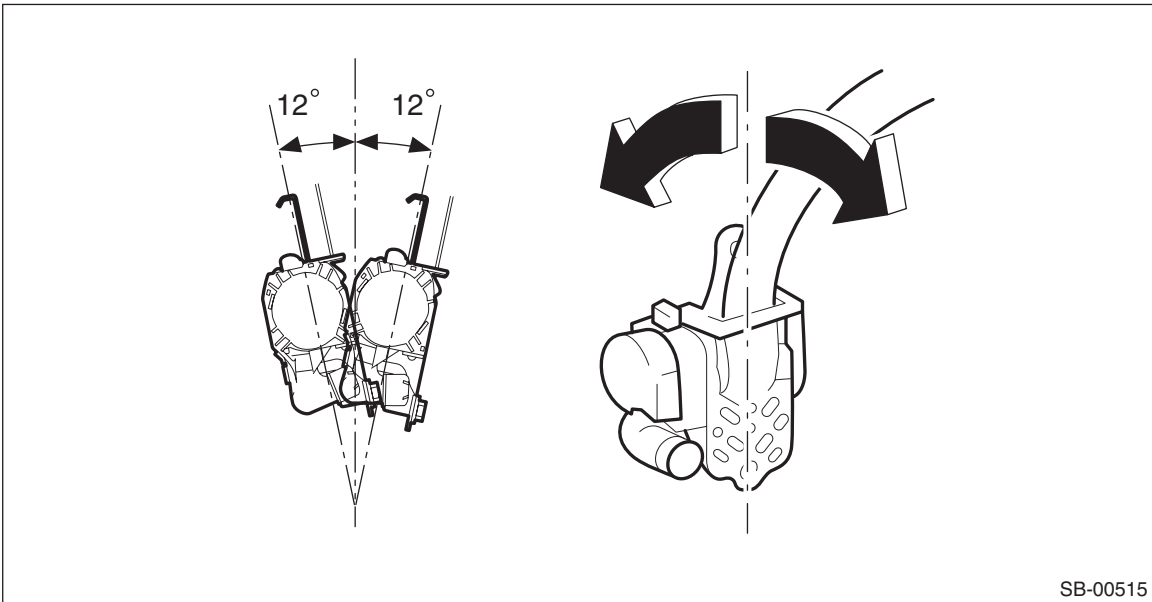
- Seat belt is slackened, bent or worn.
- Seat belt is abnormally wound or extended.
- Inner belt ASSY is deformed or damaged.
- Seat belt buckle cannot be engaged properly.

2. ELR LOCK MECHANISM INSPECTION

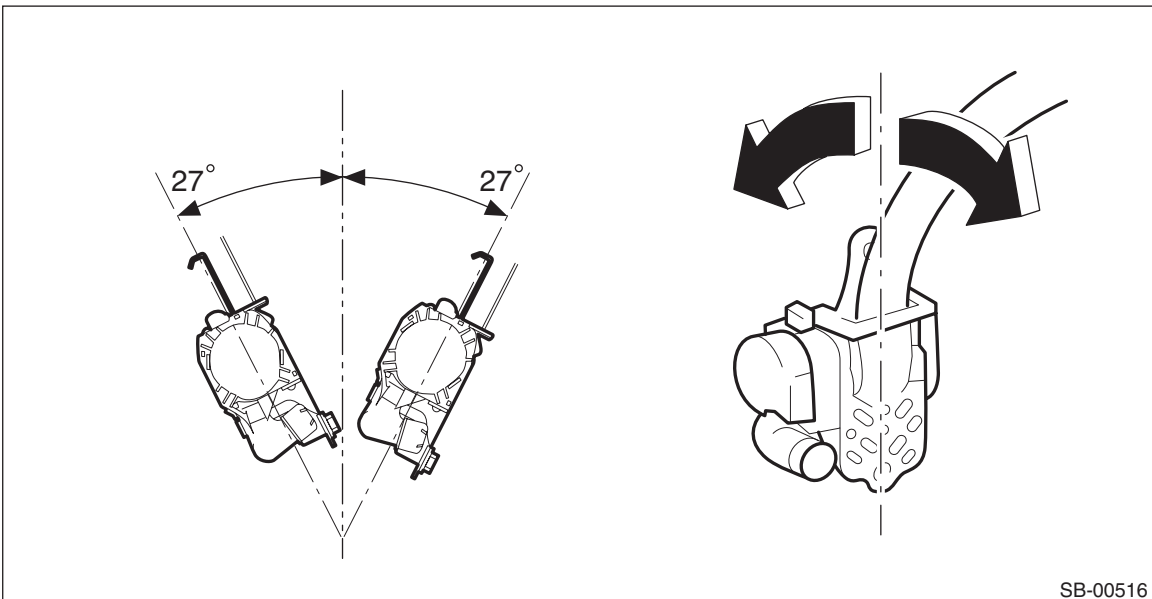
1) Hold the retractor upright (as installed in the vehicle) and check the ELR lock mechanism.

2) Tilt the retractor from the upright posture and check the following points.

- It does not lock if the inclination angle is 12° or less.



- It remains locked if the inclination angle is 27° or more.



3) If the ELR lock mechanism does not operate correctly, replace the outer belt assembly with a new part.

LIGHTING SYSTEM



	Page
1. General Description	2
2. Relay and Fuse	4
3. Headlight System	6
4. Day Time Running Light System	8
5. Clearance Light and Illumination Light System	9
6. Front Fog Light System	10
7. Turn Signal Light and Hazard Light System	11
8. Back-up Light System	13
9. Stop Light System	15
10. Interior Light System	16
11. Combination Switch (Light)	19
12. Light Control Sensor	25
13. Headlight Assembly	27
14. Headlight Bulb	32
15. Front Turn Signal Light Bulb	36
16. Clearance/Parking Light Bulb	38
17. Front Side Marker Light Bulb	39
18. Front Fog Light Assembly	40
19. Front Fog Light Bulb	45
20. Side Turn Signal Light Assembly	47
21. Rear Combination Light Assembly	48
22. Tail/Stop Light Bulb	50
23. Rear Turn Signal Light Bulb	54
24. Rear Finisher Light Assembly	57
25. Back-up Light Bulb	59
26. License Plate Light	61
27. High-mounted Stop Light	63
28. Spot Map Light	65
29. Room Light	67
30. Luggage Room Light	69
31. Trunk Room Light	71
32. Glove Box Light	72
33. Door Step Light	73
34. Ignition Switch Illumination	74
35. Day Time Running Resistor	77
36. Reflex Reflector	78
37. Door Switch	79