

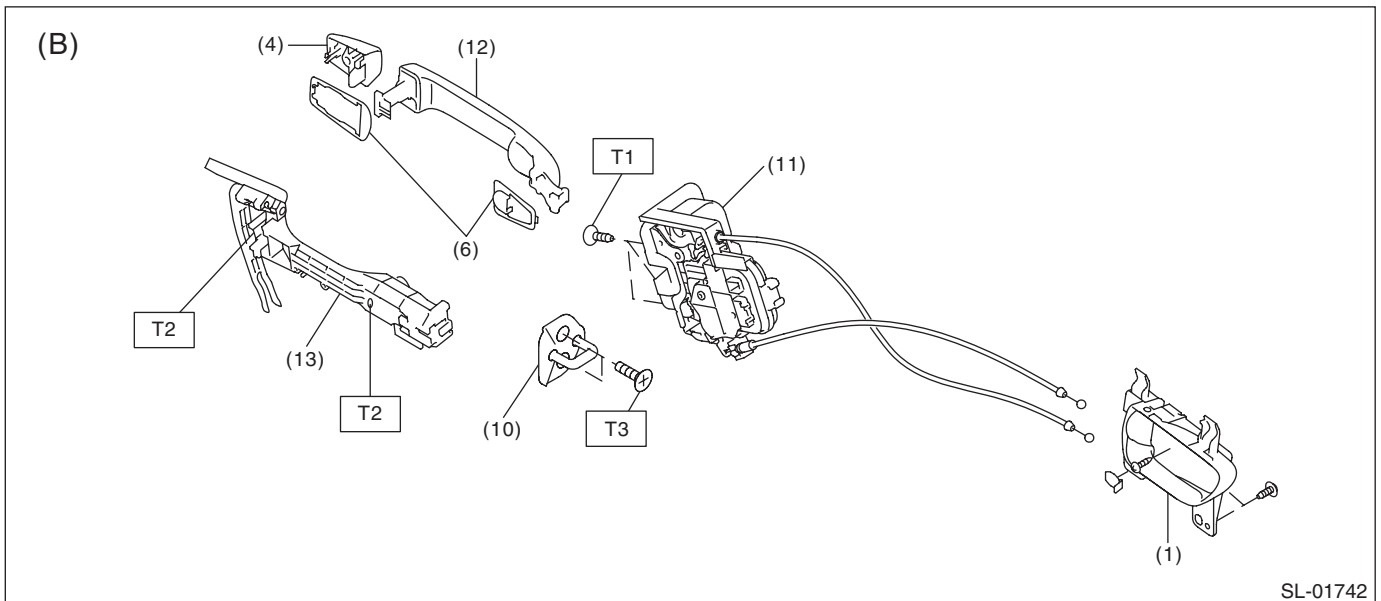
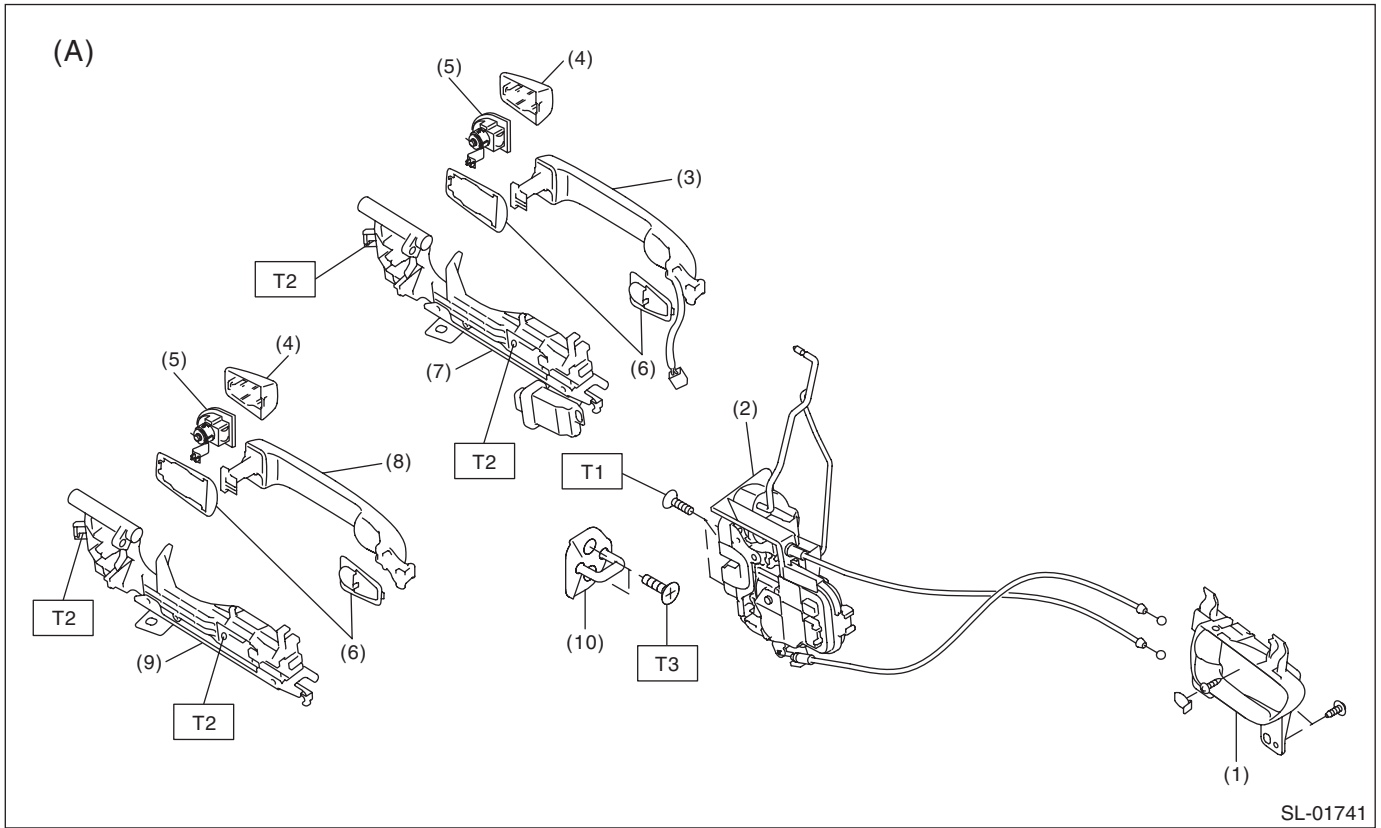
# General Description

SECURITY AND LOCKS

## 1. General Description

### A: COMPONENT

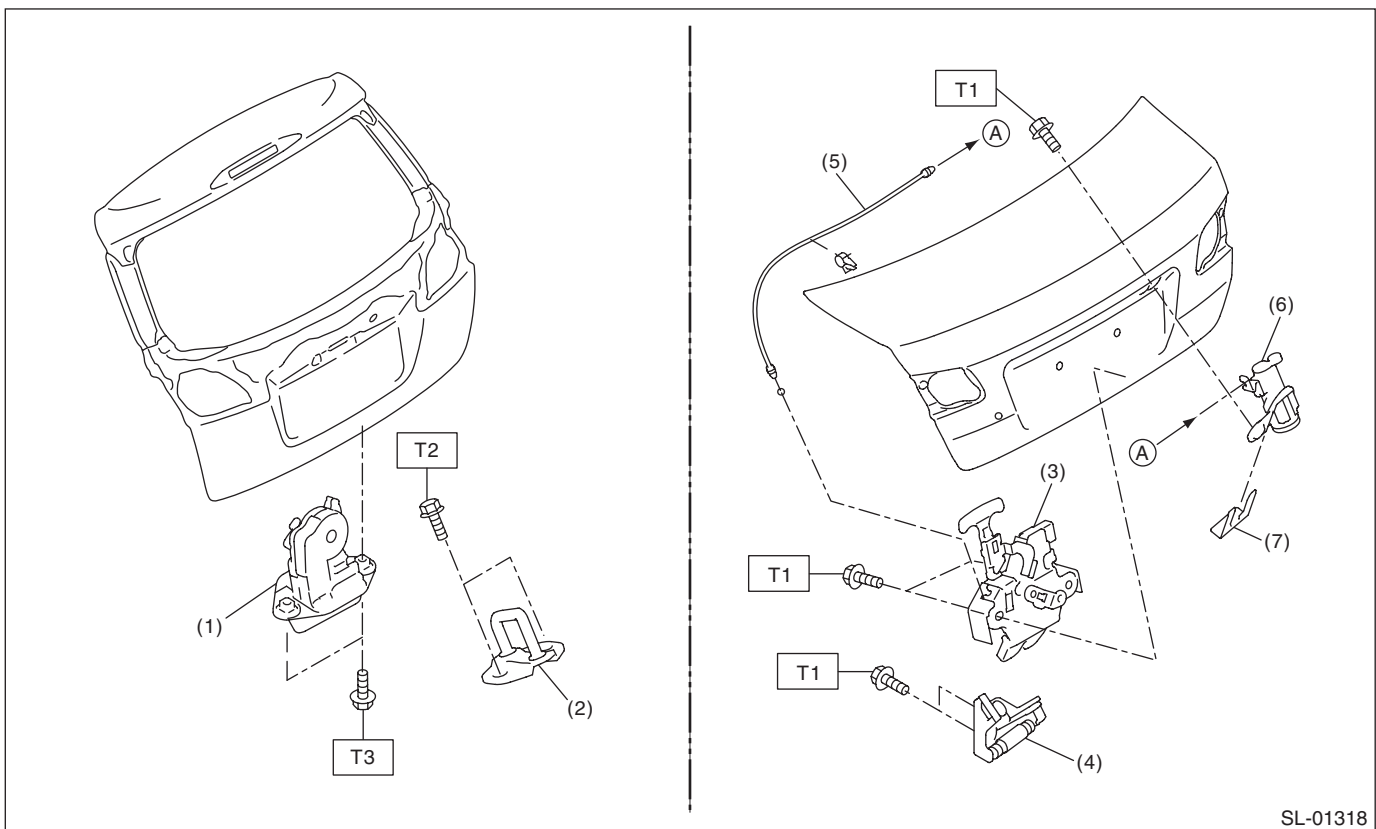
#### 1. DOOR LOCK ASSEMBLY



# General Description

- |   |  |  |
|---|--|--|
| (A) Front   | (B) Rear   |  |
| (1) Inner remote ASSY                                   | (7) Front door outer handle frame ASSY (model with keyless access) | (13) Rear door outer handle frame ASSY       |
| (2) Front door latch and door lock actuator ASSY        | (8) Front door outer handle  |  |
| (3) Front door outer handle (model with keyless access) | (9) Front door outer handle frame ASSY                             | <b>Tightening torque: N-m (kgf-m, ft-lb)</b> |
| (4) Door outer handle cover                             | (10) Striker   | <b>T1: 6.5 (0.66, 4.8)</b>                   |
| (5) Key cylinder (driver's seat only)                   | (11) Rear door latch and door lock actuator ASSY                   | <b>T2: 7.5 (0.76, 5.5)</b>                   |
| (6) Door outer handle spacer                            | (12) Rear door outer handle  | <b>T3: 18 (1.84, 13.3)</b>                   |

## 2. REAR GATE LOCK AND TRUNK LID LOCK



SL-01318

- |                                       |                                   |
|---------------------------------------|-----------------------------------|
| (1) Rear gate latch and actuator ASSY | (5) Cable                         |
| (2) Rear gate striker                 | (6) Key cylinder (trunk lid only) |
| (3) Trunk lid latch and actuator ASSY | (7) Clip                          |
| (4) Trunk lid striker                 |                                   |

**Tightening torque: N-m (kgf-m, ft-lb)**

**T1: 7.5 (0.76, 5.5)**

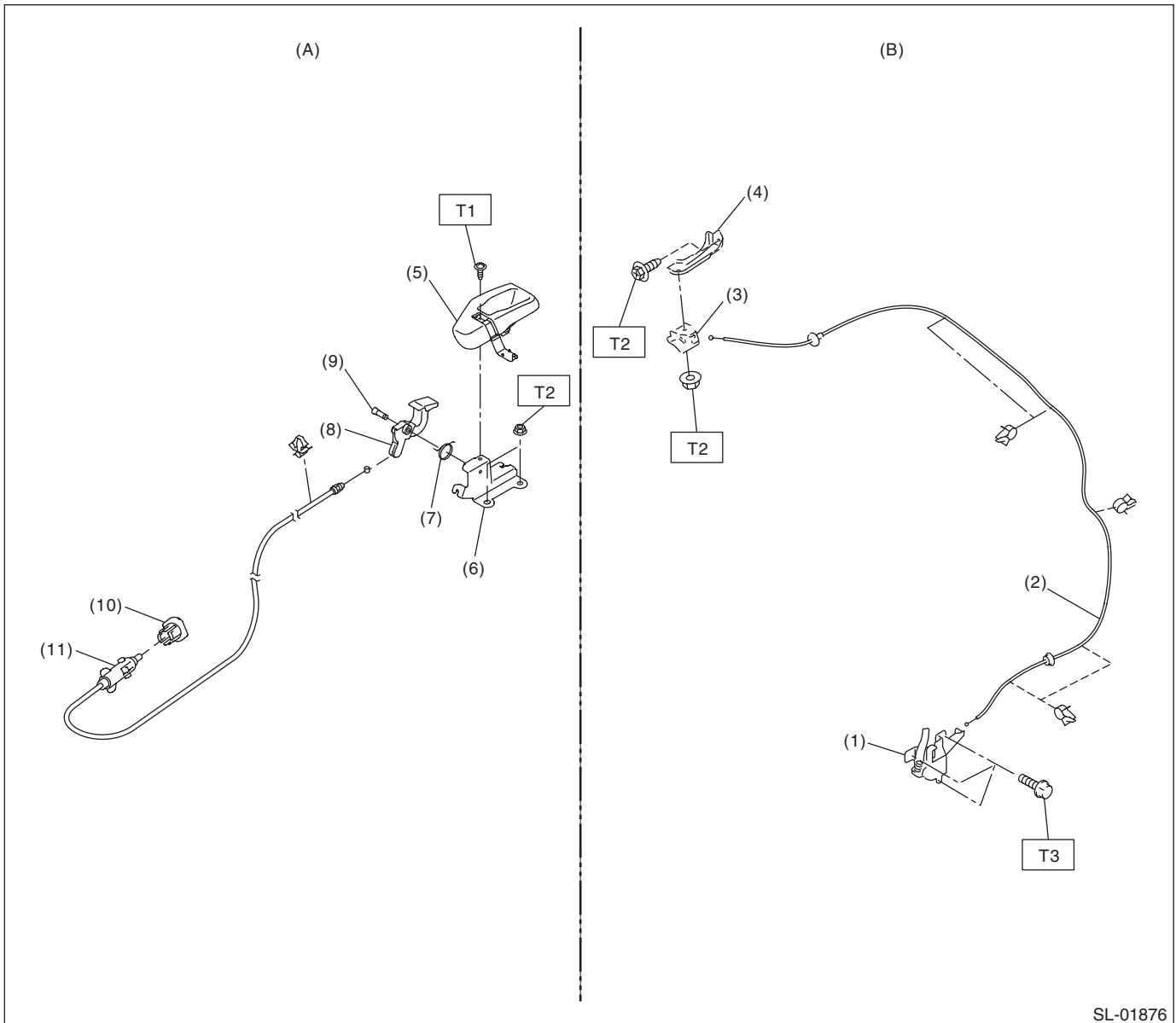
**T2: 25 (2.55, 18.4)**

**T3: 28 (2.86, 20.7)**

# General Description

## SECURITY AND LOCKS

### 3. FRONT HOOD LOCK AND REMOTE OPENERS



SL-01876

(A) Fuel lock release

(B) Hood lock release

- |                          |                      |
|--------------------------|----------------------|
| (1) Front hood lock ASSY | (7) Spring           |
| (2) Cable                | (8) Pull handle ASSY |
| (3) Lever ASSY           | (9) Pin              |
| (4) Bracket              | (10) Holder          |
| (5) Cover                | (11) Fuel lock       |
| (6) Bracket              |                      |

**Tightening torque: N-m (kgf-m, ft-lb)**

**T1: 4.5 (0.46, 3.3)**

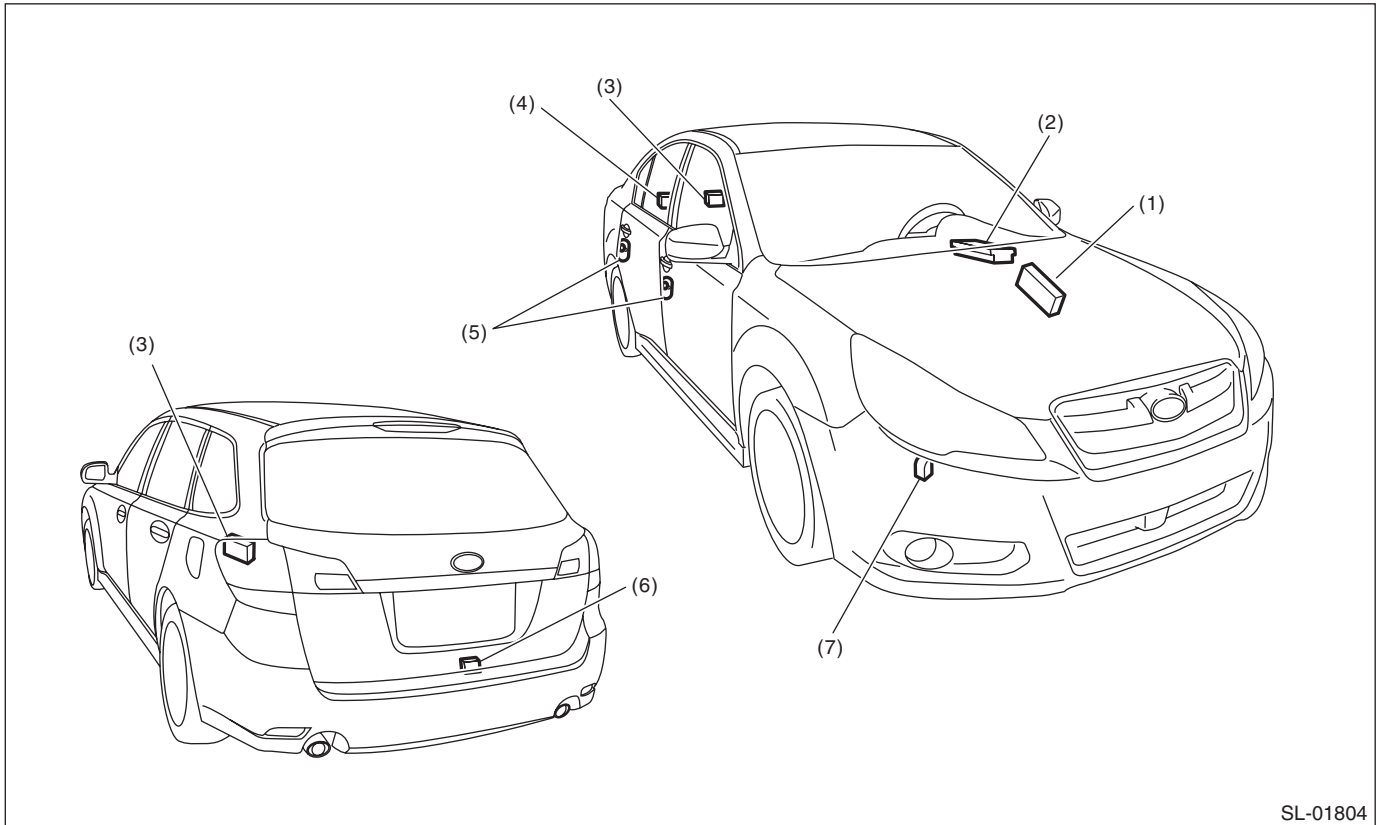
**T2: 7.5 (0.76, 5.5)**

**T3: 33 (3.36, 24.3)**

### 4. KEYLESS ENTRY SYSTEM

NOTE:

Except for model with keyless access.



SL-01804

- |                                  |  |  |
|----------------------------------|--|--|
| (1) Body integrated unit         | (4) Trunk lid latch switch (sedan model) | (6) Rear gate latch switch (OUTBACK model) |
| (2) Power window main switch     | (5) Door switch                          | (7) Keyless buzzer                         |
| (3) Keyless entry control module |  |  |

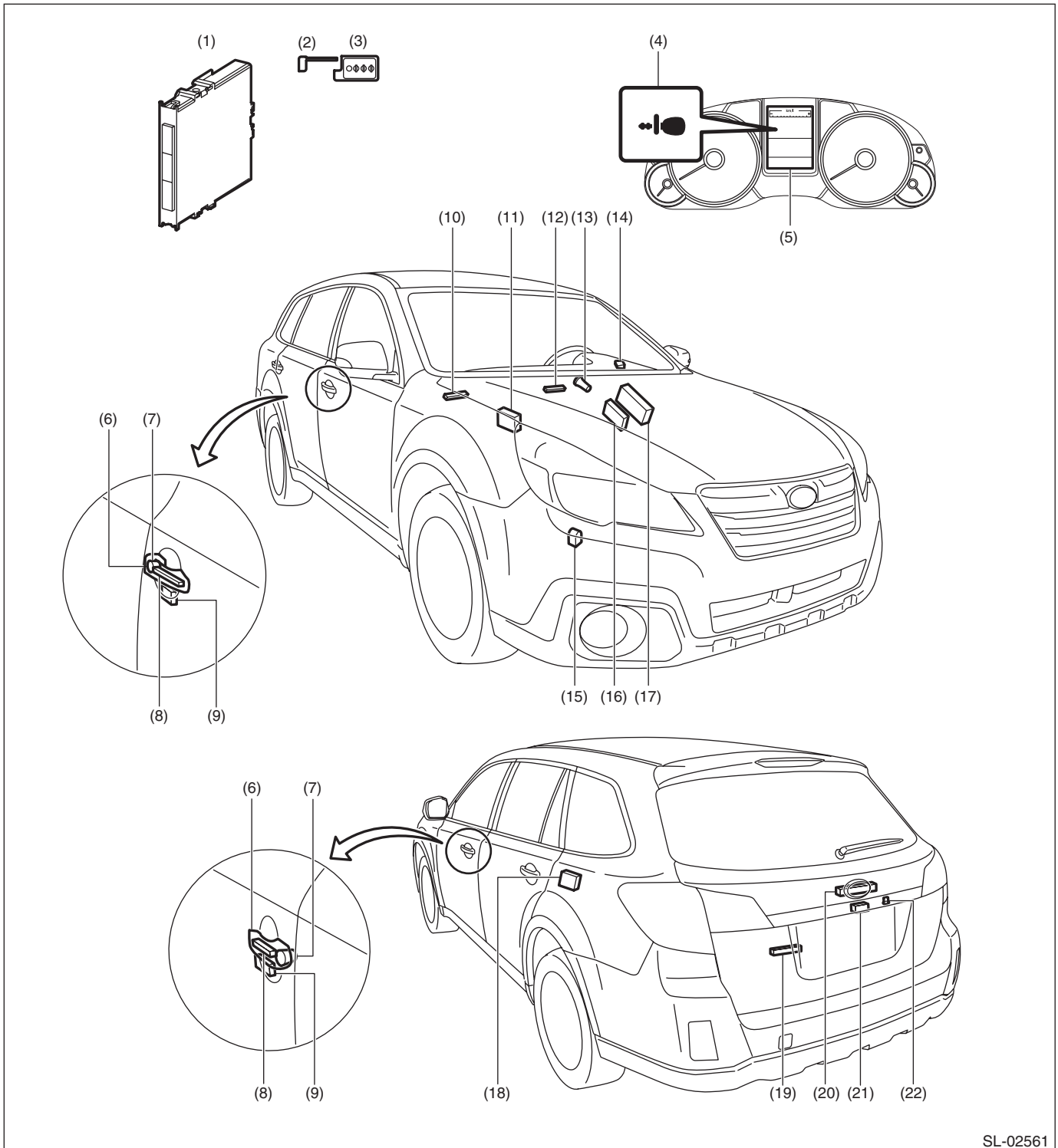
# General Description

## SECURITY AND LOCKS

### 5. KEYLESS ACCESS WITH PUSH BUTTON START SYSTEM

NOTE:

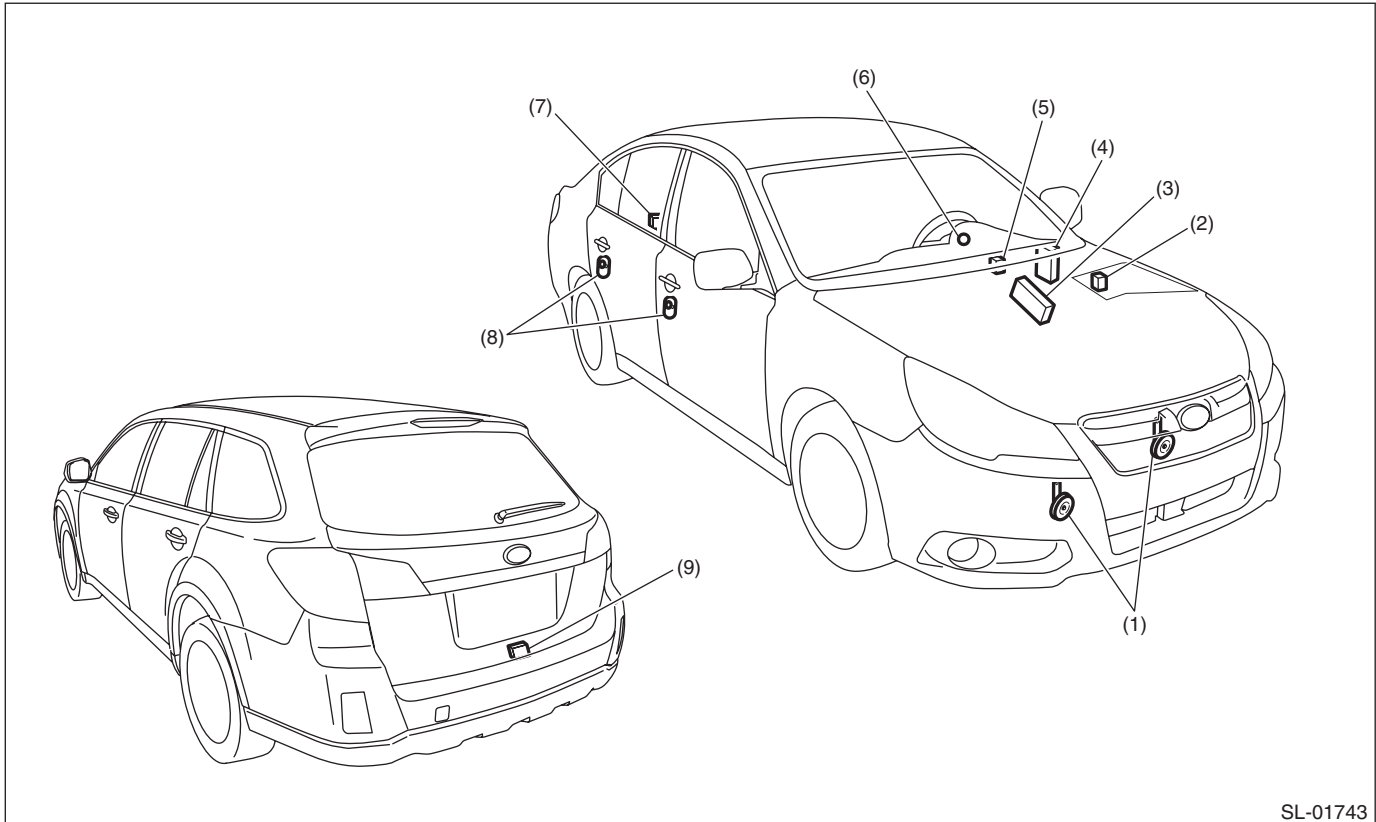
Except for model without keyless access.



SL-02561

- |                               |                                  |                              |
|-------------------------------|----------------------------------|------------------------------|
| (1) Keyless access CM         | (9) Oscillator                   | (16) TCM                     |
| (2) Mechanical key            | (10) Center interior antenna     | (17) Body integrated unit    |
| (3) Access key                | (11) ECM                         | (18) Receiver                |
| (4) Access key warning light  | (12) Front interior antenna      | (19) Rear interior antenna   |
| (5) Multi-information display | (13) Push button ignition switch | (20) Rear exterior antenna   |
| (6) Touch sensor              | (14) Steering lock CM            | (21) Rear gate opener button |
| (7) Front lock button         | (15) Access buzzer               | (22) Rear lock button        |
| (8) Front exterior antenna    |                                  |                              |

## 6. SECURITY SYSTEM



SL-01743

- |                                   |   |  |
|-----------------------------------|---|--|
| (1) Horn                          | (4) Impact sensor (driver's seat instrument panel side) (dealer option) | (7) Trunk lid latch switch (Sedan model)   |
| (2) Horn relay (in main fuse box) | (5) Turn signal and hazard module                                       | (8) Door switch                            |
| (3) Body integrated unit          | (6) Security indicator light (in combination meter)                     | (9) Rear gate latch switch (OUTBACK model) |

### B: CAUTION

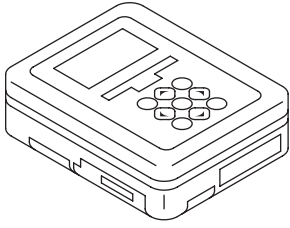
- Before disassembling or reassembling parts, always disconnect the battery ground cable from battery. When replacing the audio, control module and other parts provided with memory functions, record the memory contents before disconnecting the battery ground cable. Otherwise, the memory is cleared.
- Reassemble the parts in the reverse order of disassembly procedure unless otherwise indicated.
- Connect the connectors securely during reassembly.
- After reassembly, make sure that the functional parts operate normally.
- If any immobilizer related part has been replaced, make sure to register the immobilizer.
- Do not use any electrical test equipment on the airbag system wiring harnesses and connector circuits.
- Be careful not to damage the airbag system wiring harness when servicing the ignition key cylinder and steering lock CM.

# General Description

## SECURITY AND LOCKS

### C: PREPARATION TOOL

#### 1. SPECIAL TOOL

ILLUSTRATION	TOOL NUMBER	DESCRIPTION	REMARKS
 ST1B022XU0	1B022XU0	SUBARU SELECT MONITOR III KIT	Used for troubleshooting the electrical system.

#### 2. GENERAL TOOL

TOOL NAME	REMARKS
Circuit tester	Used for measuring resistance and voltage.
Drill	Used for replacing the ignition key lock and steering lock CM.
TORX® T30	Used for removing and installing door outer handle.
Clip remover	Used for removing trim clip.