

# Rear Outer Handle

## SECURITY AND LOCKS

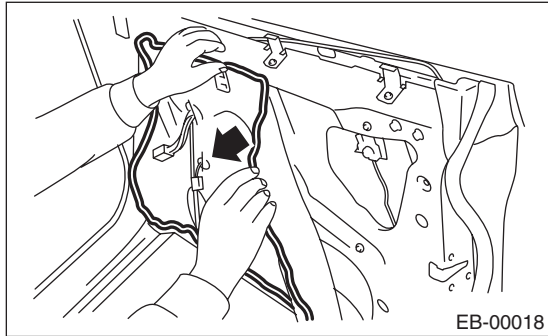
### 12.Rear Outer Handle

#### A: REMOVAL

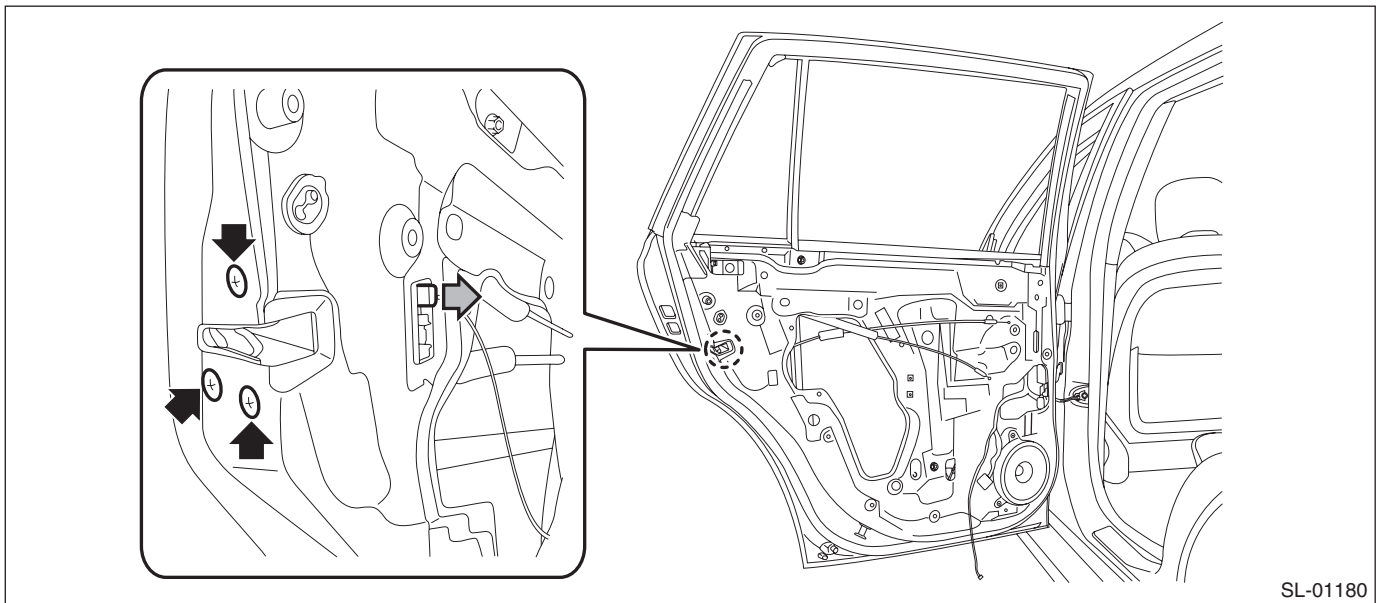
- 1) Raise the rear door glass to the top position.
- 2) Remove the rear door trim. <Ref. to EI-60, REAR DOOR, REMOVAL, Door Trim.>
- 3) Remove the sealing cover.

#### CAUTION:

- Carefully remove the butyl tape. Excessive force will easily break the cover.
- If the sealing cover gets broken, replace it with a new part.



- 4) Move downward the rear door latch & door lock actuator assembly.
  - (1) Disconnect the connector.
  - (2) Remove the screws and move downward the rear door latch & door lock actuator assembly.

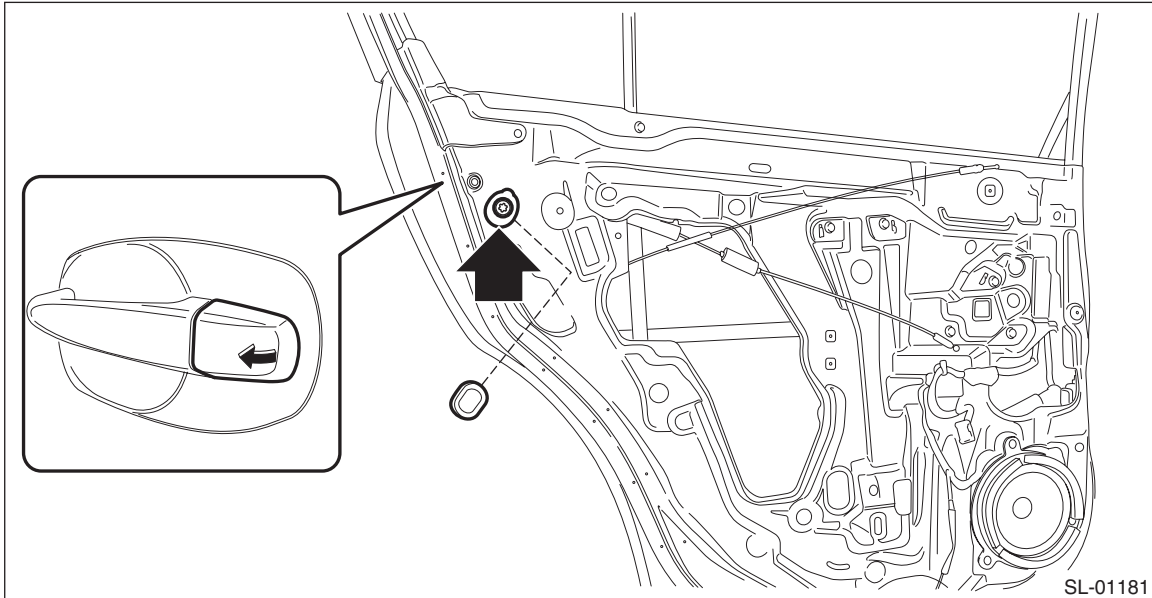


5) Remove the door outer handle cover.

**Preparation tool:**

**TORX® T30**

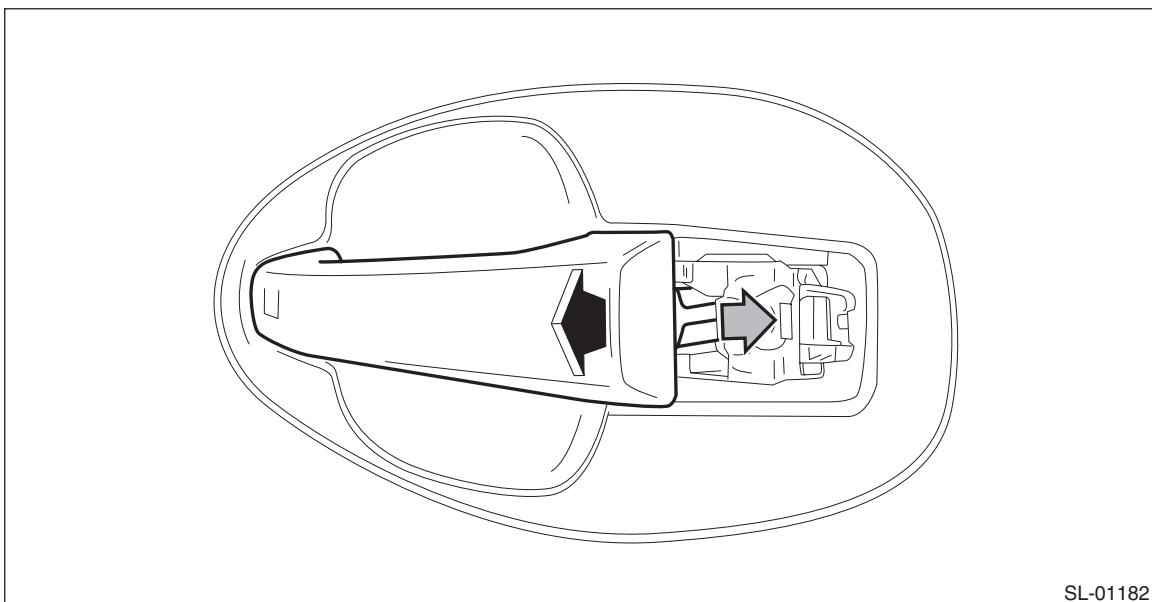
- (1) Remove the child protector cover.
- (2) Loosen the TORX® bolt and remove the door outer handle cover.



6) Remove the rear outer handle by moving it rearward.

**CAUTION:**

**Do not apply excessive force to remove the handle from the door panel. The door panel may become deformed.**



# Rear Outer Handle

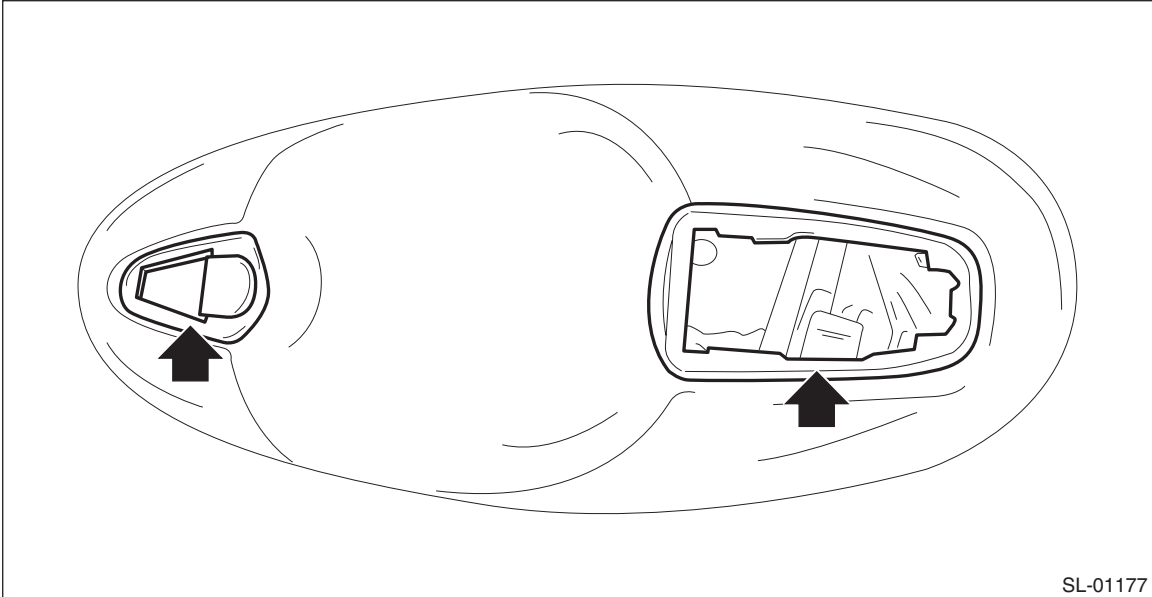
## SECURITY AND LOCKS

7) Remove the frame assembly.

**Preparation tool:**

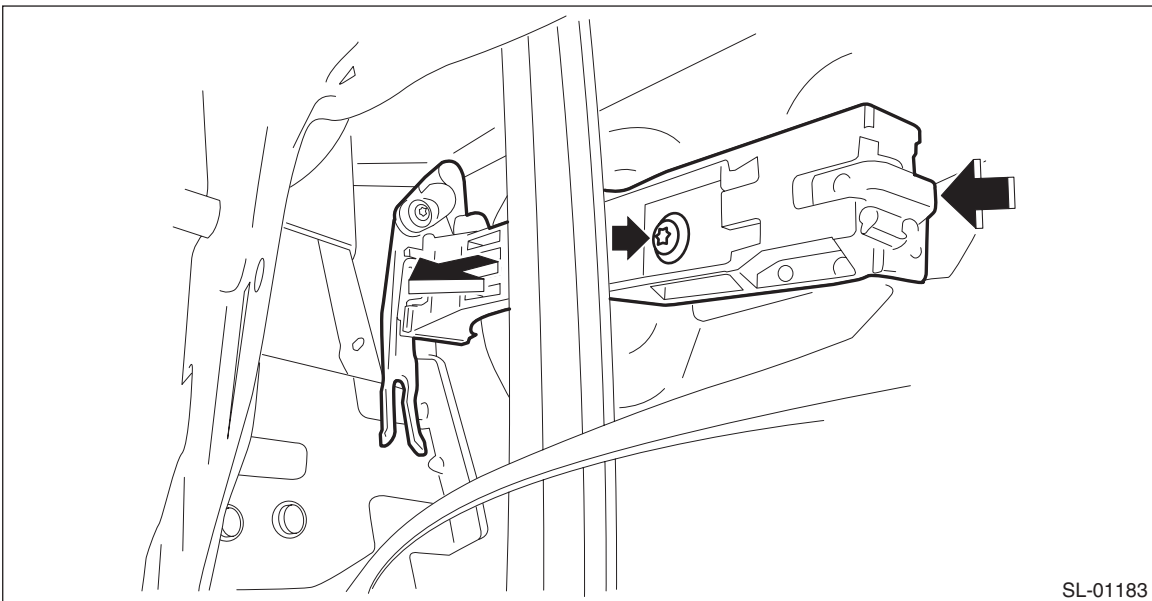
**TORX® T30**

(1) Remove the outer side spacer.



SL-01177

(2) Remove the TORX® bolt and remove the frame assembly from the door panel.



SL-01183

## B: INSTALLATION

1) Before installation, check the following items.

- Lever is free from deformation.
- Grease is applied sufficiently to lever joints.

If grease is insufficient, add it as necessary before assembling.

2) Install each part in the reverse order of removal.

**Tightening torque:**

Refer to “COMPONENT” of “General Description”. <Ref. to SL-2, DOOR LOCK ASSEMBLY, COMPONENT, General Description.>

## C: INSPECTION

Check if the rear outer handle operates normally.

If the lever is faulty, replace the rear outer handle.