

Trunk Opener Switch

SECURITY AND LOCKS

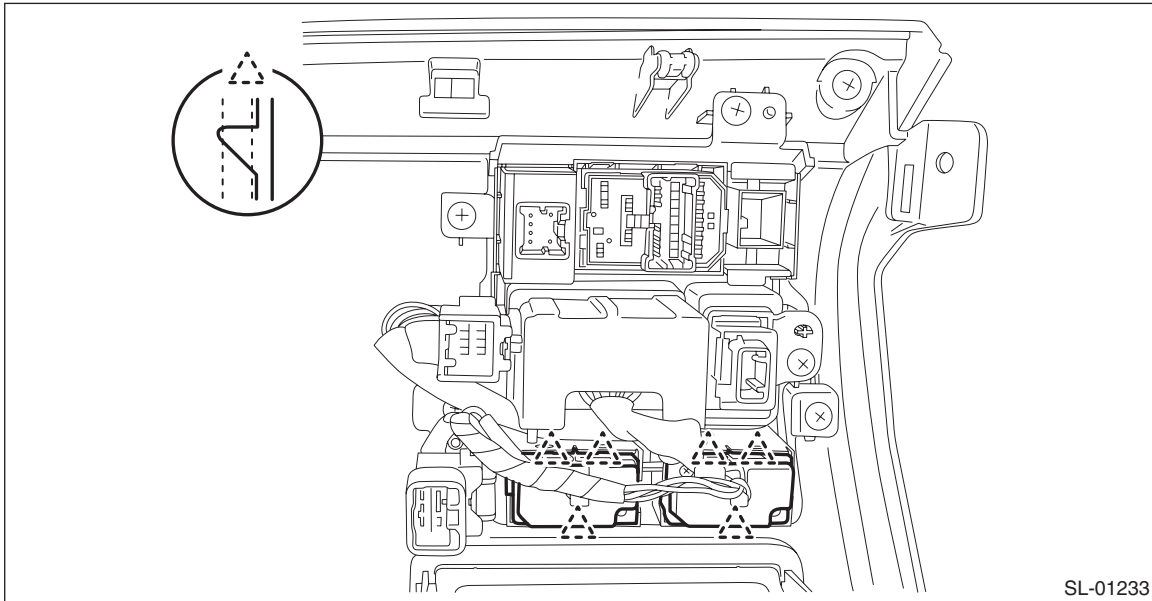
15.Trunk Opener Switch

A: REMOVAL

NOTE:

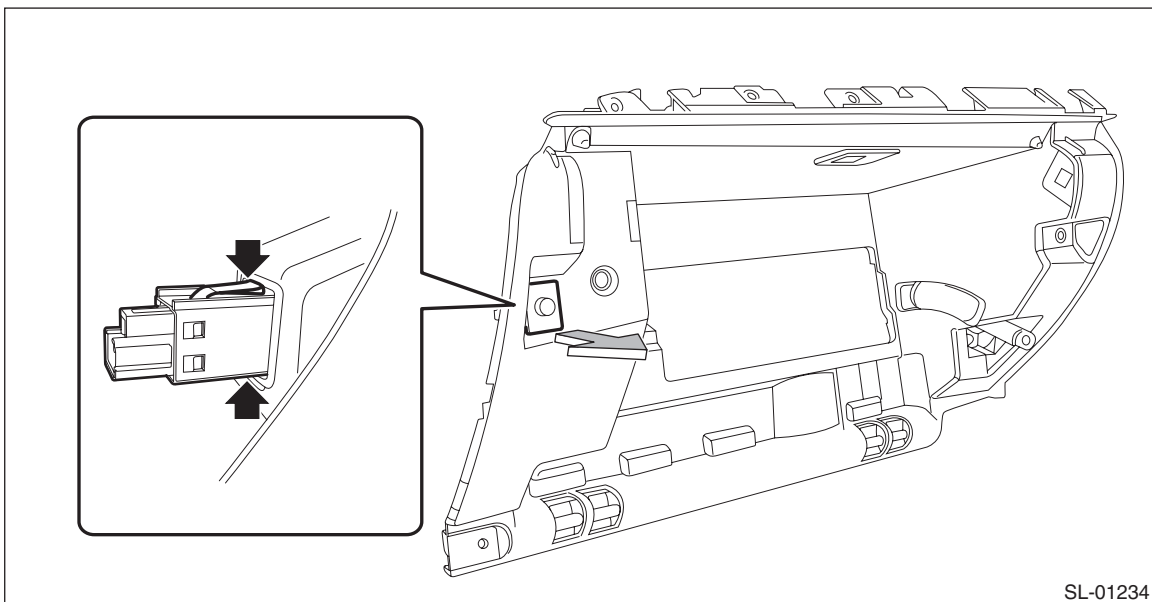
The trunk opener button is integrated with the VDC OFF switch.

- 1) Remove the instrument panel lower cover. <Ref. to EI-63, REMOVAL, Instrument Panel Lower Cover.>
- 2) Release the claws and remove the trunk opener button.



1. TRUNK OPENER CANCEL BUTTON

- 1) Remove the glove box. <Ref. to EI-65, REMOVAL, Glove Box.>
- 2) Release the claws and remove the trunk opener cancel button.



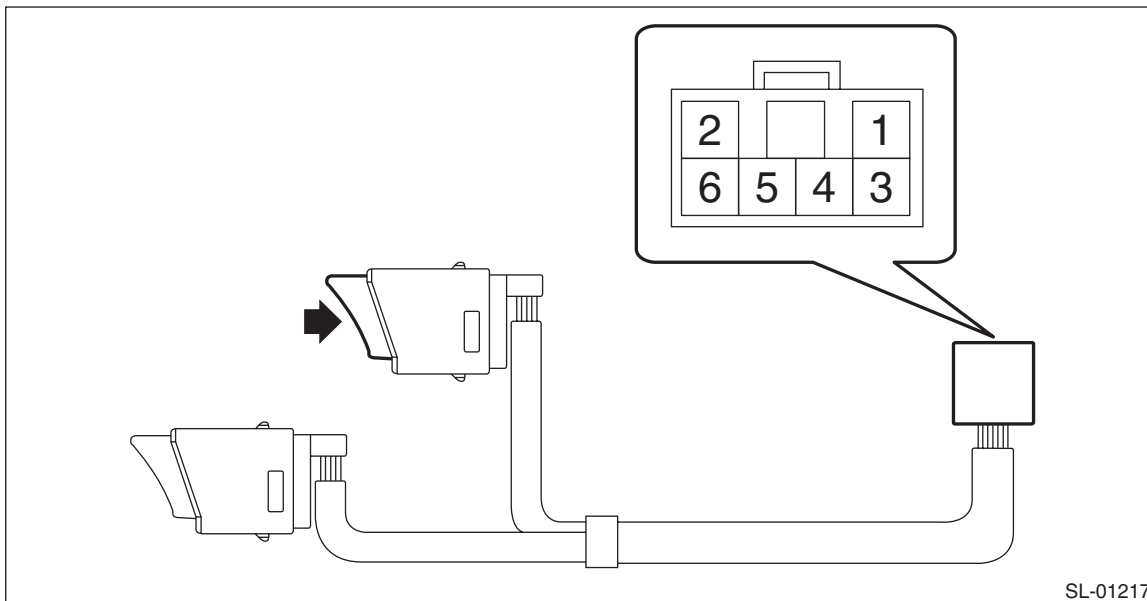
B: INSTALLATION

Install each part in the reverse order of removal.

C: INSPECTION

- 1) Disconnect the trunk opener button connector.
- 2) Measure the resistance between trunk opener button terminals.

Preparation tool:
Circuit tester



Terminal No.	Inspection conditions	Standard
4 — 2	Open	Less than 1 Ω
	Close	1 MΩ or more

- 3) Replace the trunk opener button if the inspection result is not within the standard value.

1. TRUNK OPENER CANCEL BUTTON

- 1) Disconnect the trunk opener cancel button connector.
- 2) Measure the resistance between trunk opener cancel button terminals.

Preparation tool:
Circuit tester

Terminal No.	Inspection conditions	Standard
1 — 2	Switch ON	Less than 1 Ω
	Switch OFF	1 MΩ or more

- 3) Replace the trunk opener button if the inspection result is not within the standard value.