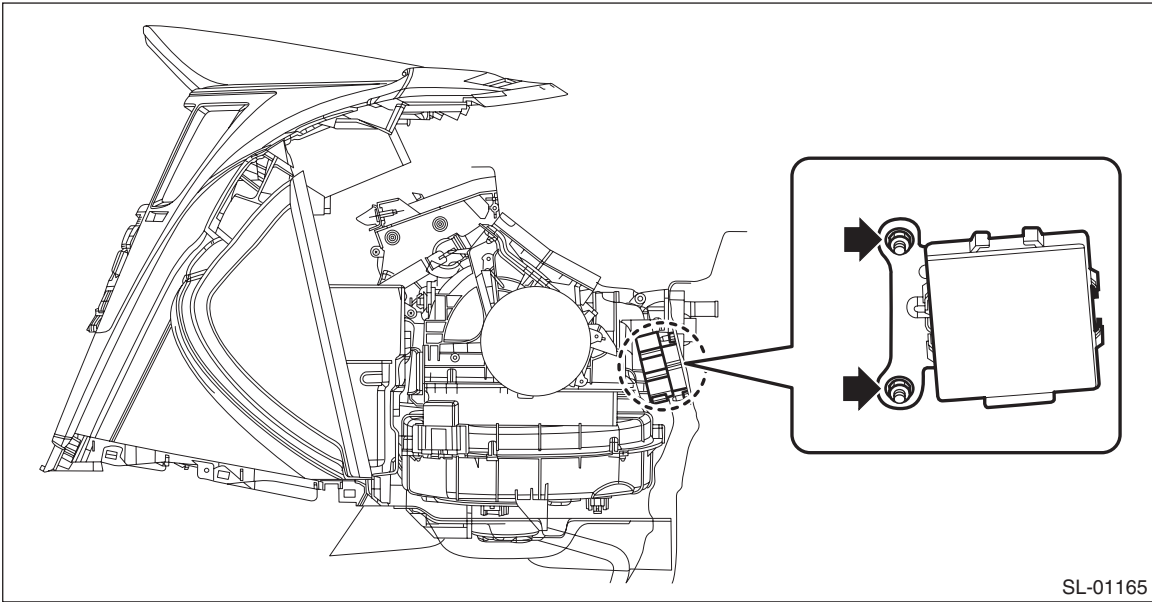


### 22.Security Control Module

#### A: REMOVAL

- 1) Remove the heater and cooling unit. <Ref. to AC-64, REMOVAL, Heater and Cooling Unit.>
- 2) Remove the security control module.
  - (1) Disconnect the connector.
  - (2) Remove the nuts, and remove the security control module.



SL-01165

#### B: INSTALLATION

##### CAUTION:

You must register the immobilizer when a immobilizer-related control module has been replaced. For procedures, refer to the “PC application help for Subaru Select Monitor”.

Install each part in the reverse order of removal.

##### Tightening torque:

**Security control module: 7.5 N·m (0.76 kgf-m, 5.5 ft-lb)**