

Keyless Access Indoor Antenna

SECURITY AND LOCKS

31. Keyless Access Indoor Antenna

A: REMOVAL

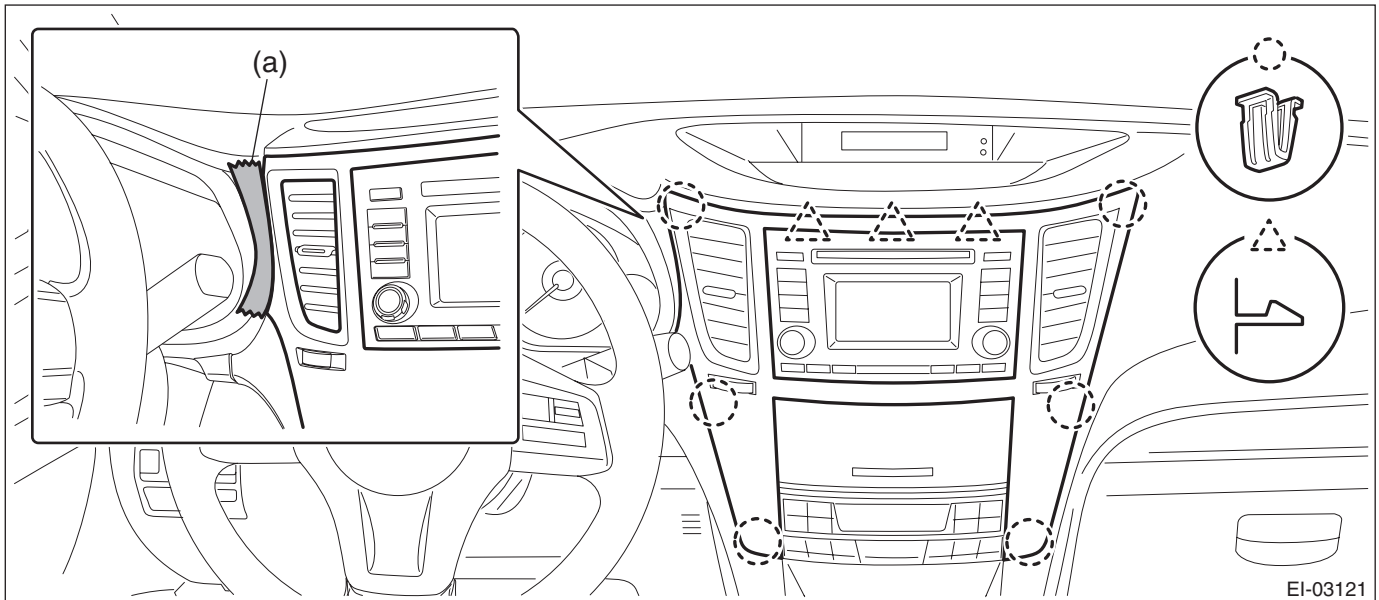
1. FRONT ANTENNA

- 1) Disconnect the ground cable from battery.
- 2) Remove the center panel assembly.

CAUTION:

Do not put your finger on the fin of the air vent grille. Doing so may damage the fin.

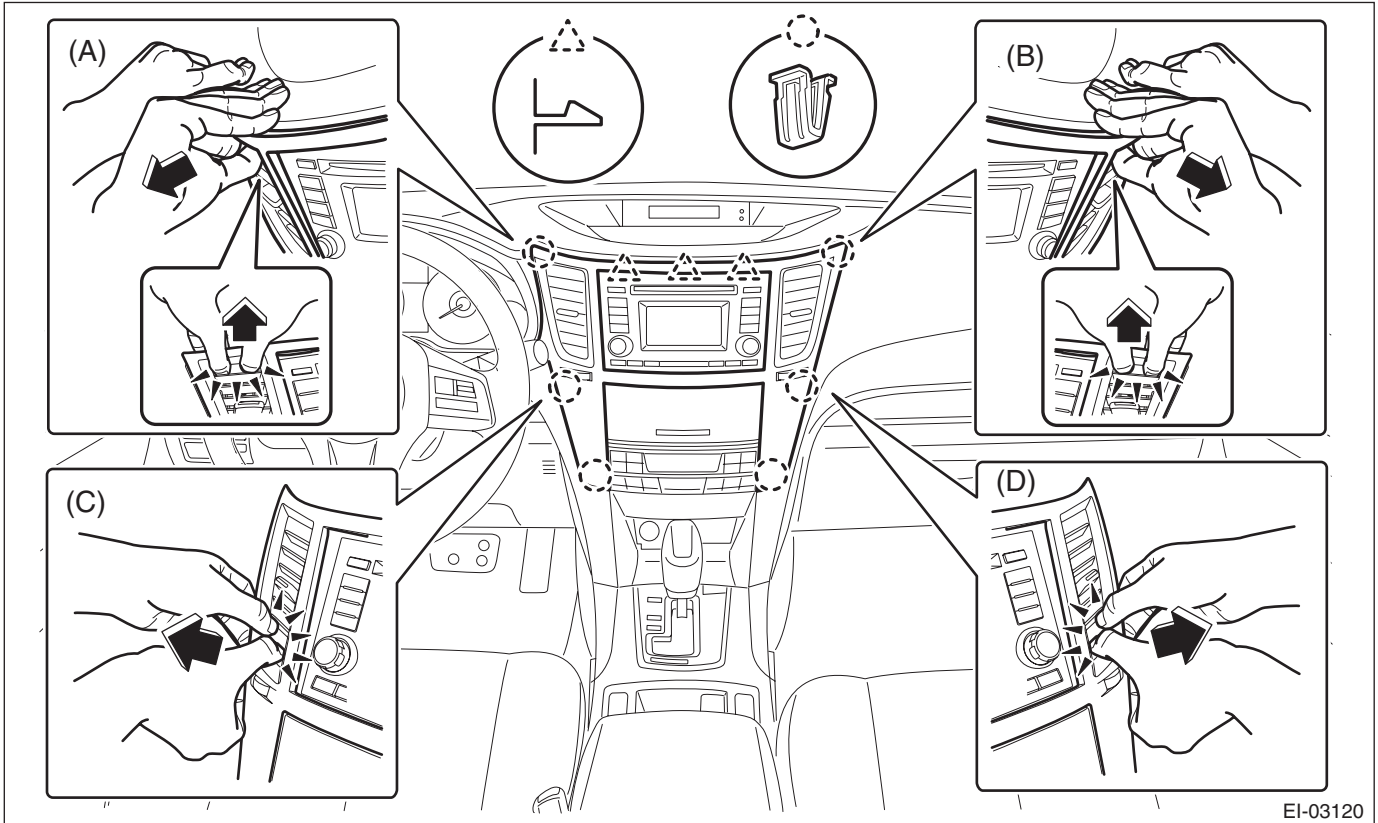
- (1) Attach the protective tape (a) to the meter visor.



EI-03121

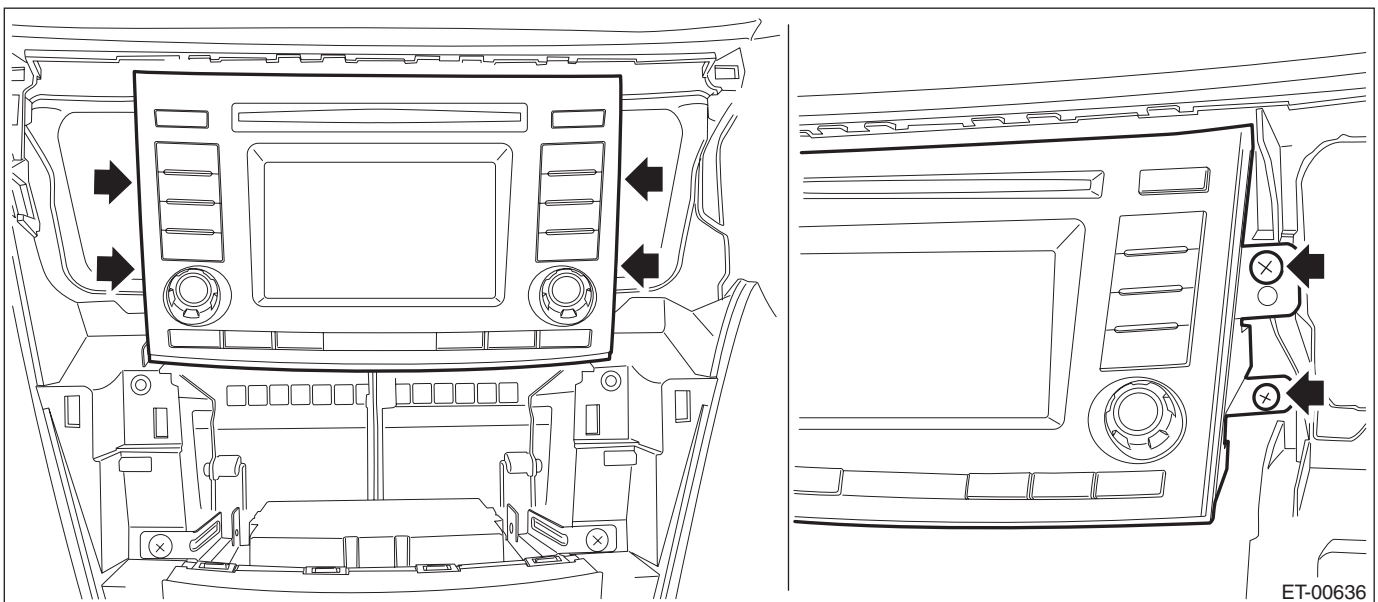
- (2) Insert a finger into the air vent grille and release the left and right clips at the top of the center panel. (A), (B)
- (3) Insert a finger into the air vent grille and release the left and right clips at the center of the center panel. (C), (D)

(4) Release the clips at the bottom of the center panel and remove the center panel assembly.



3) Remove the audio assembly.

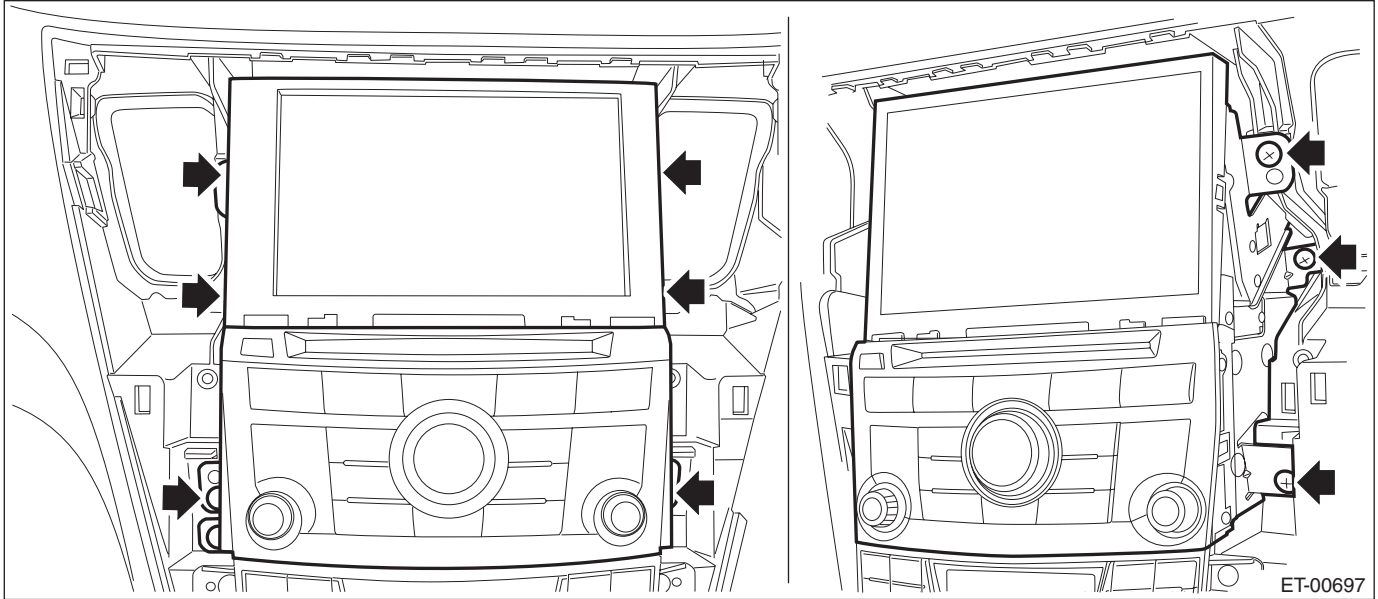
- (1) Remove the left and right screws, and partially pull the audio out from center console.
- (2) Disconnect the connectors, and remove the audio assembly.



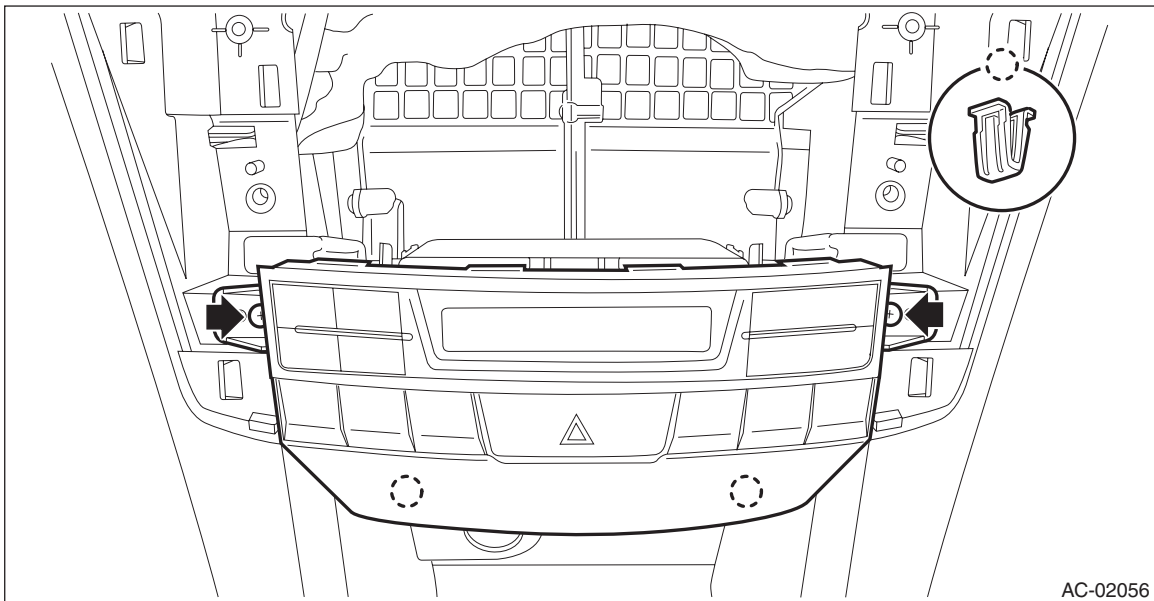
Keyless Access Indoor Antenna

SECURITY AND LOCKS

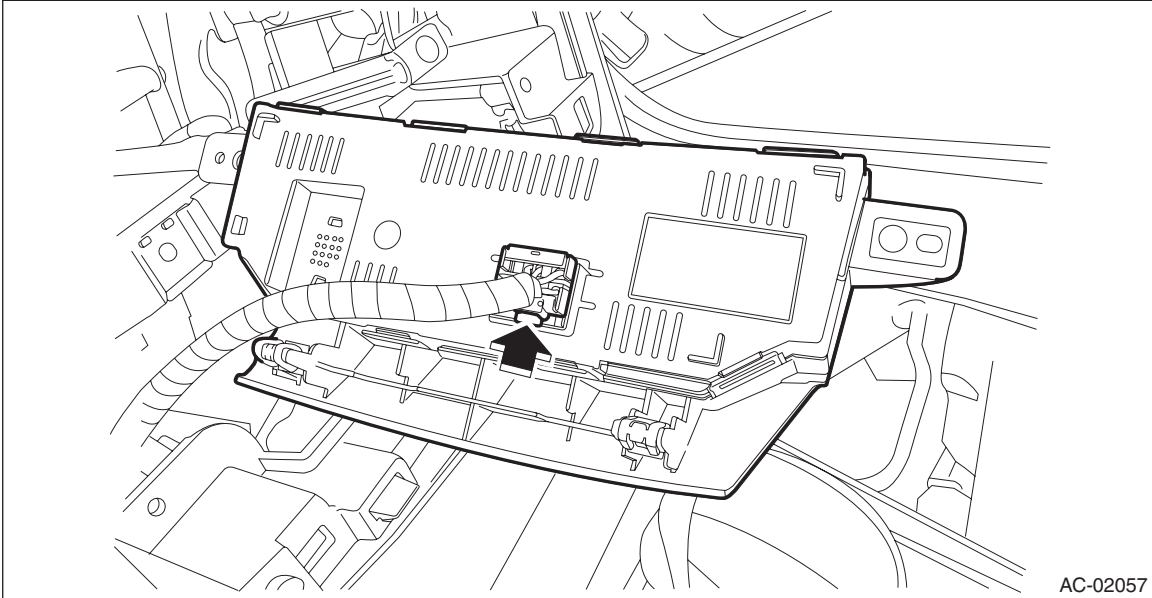
- 4) Remove the navigation assembly. (model with navigation)
 - (1) Remove the left and right screws.
 - (2) Disconnect the connectors, and remove the navigation assembly.



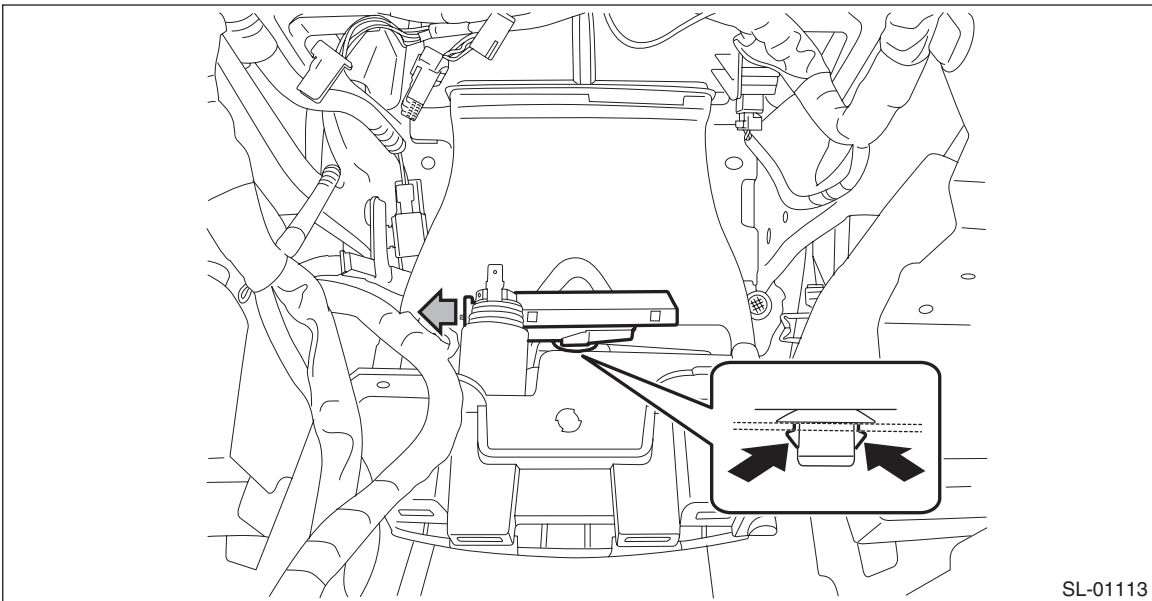
- 5) Remove the control panel.
 - (1) Remove the screws.



(2) Pull forward the control module and disconnect the connector.



6) Disconnect the connector and remove the front interior antenna.

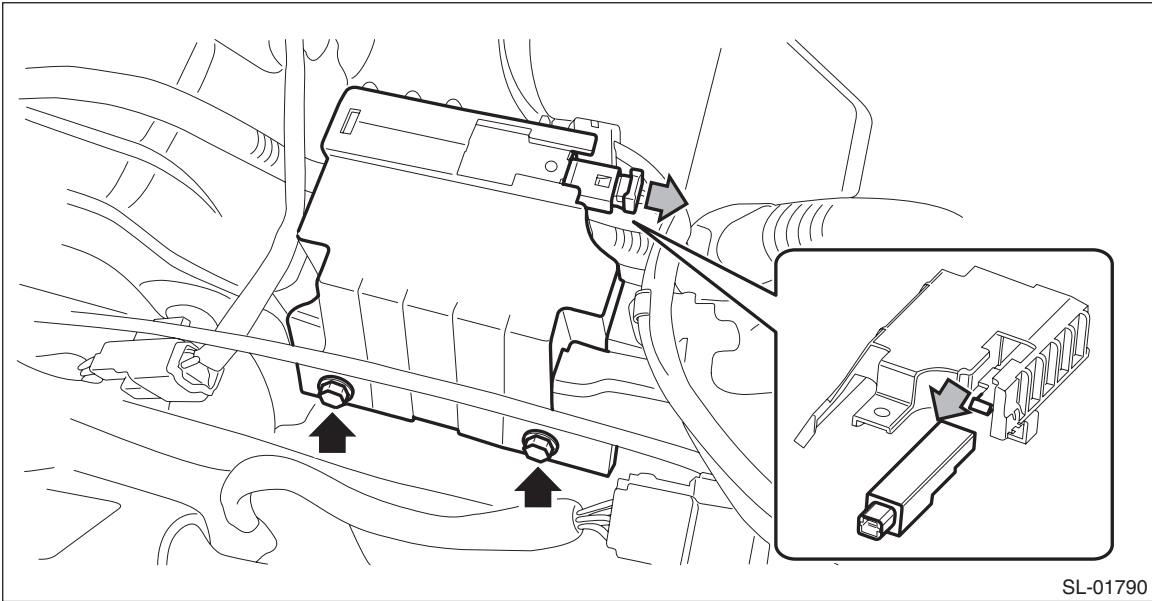


Keyless Access Indoor Antenna

SECURITY AND LOCKS

2. CENTER ANTENNA

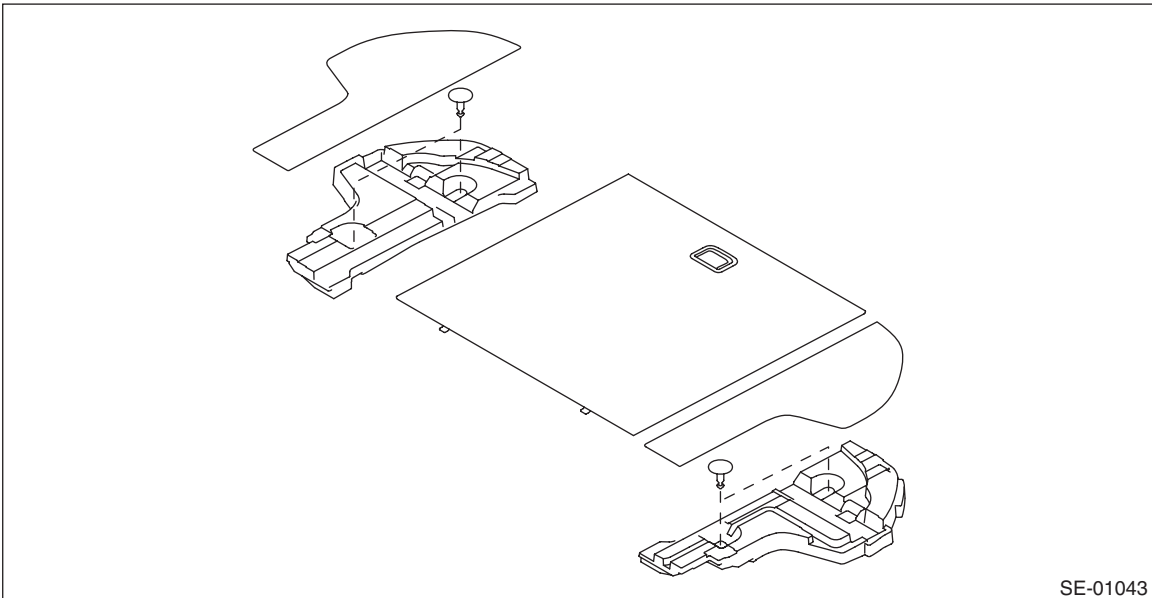
- 1) Disconnect the ground cable from battery.
- 2) Remove the rear seat cushion. <Ref. to SE-38, OUTBACK MODEL, REMOVAL, Rear Seat.>
- 3) Remove the center antenna.
 - (1) Disconnect the center antenna connector.
 - (2) Remove the two bolts and remove the center antenna case.
 - (3) Release the claws, and then remove the center antenna from the center antenna case.



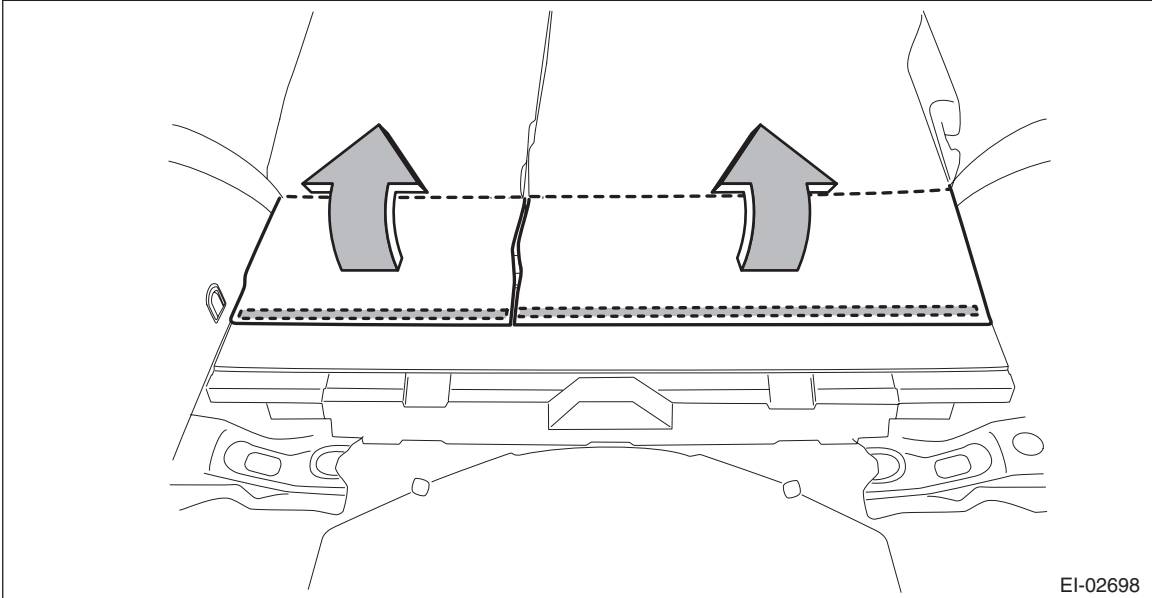
3. REAR ANTENNA

• OUTBACK model

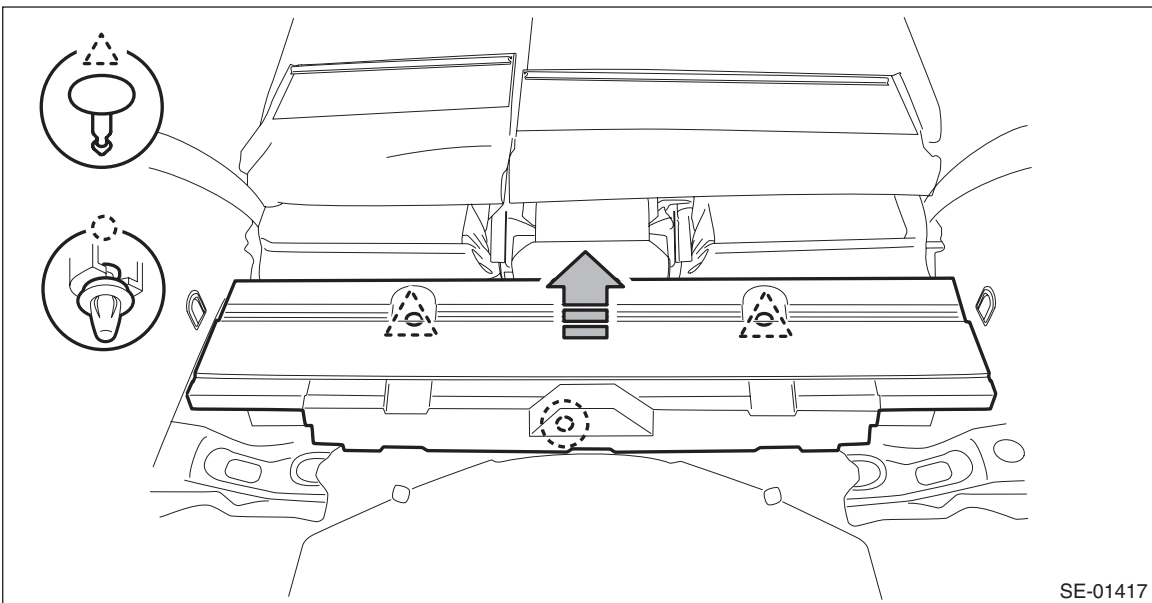
- 1) Disconnect the ground cable from battery.
- 2) Remove the luggage floor box.



3) Tilt the backrest and turn over the seat backrest cover.



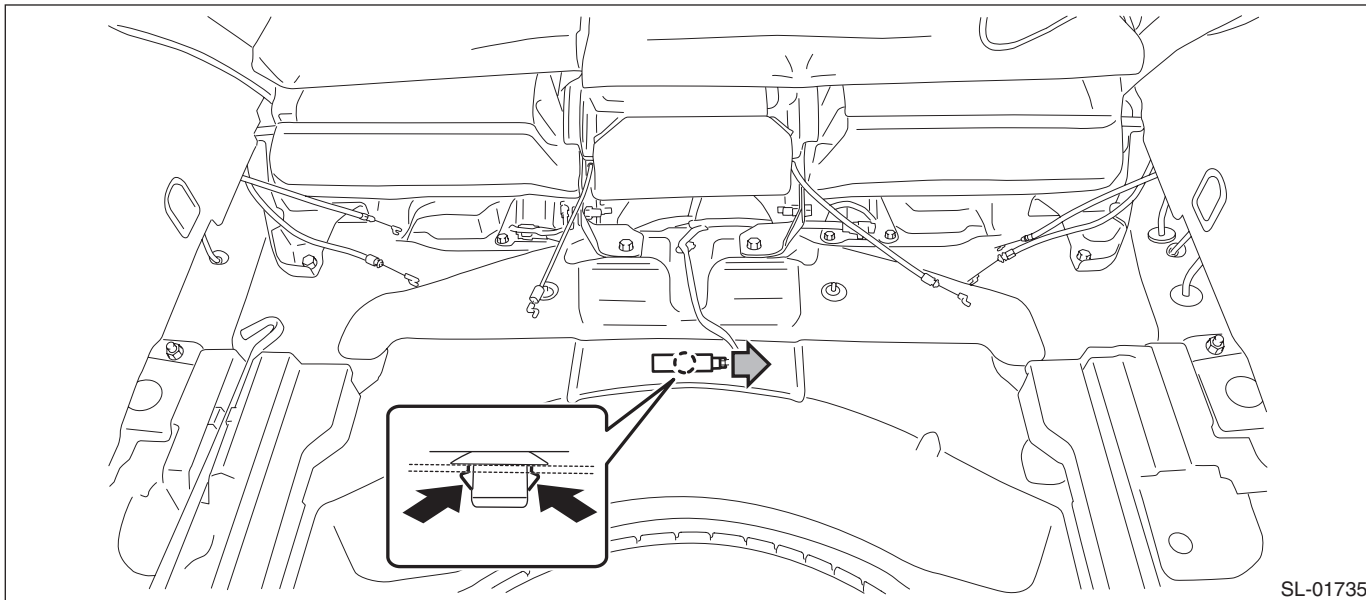
4) Remove the rear floor spacer CTR - front.



Keyless Access Indoor Antenna

SECURITY AND LOCKS

5) Disconnect the connector and remove the rear interior antenna.



B: INSTALLATION

Install each part in the reverse order of removal.

Tightening torque:

Antenna bracket: 7.5 N·m (0.76 kgf·m, 5.5 ft·lb)

C: INSPECTION

- 1) Check the setting by performing Keyless access system check using the Subaru Select Monitor. <Ref. to KPS(diag)-31, OPERATION, Keyless Access System Check.>
- 2) Disconnect the Subaru Select Monitor. After placing the access key in the compartment, operate the push button ignition switch to check that the power can be switched.
- 3) If the system does not operate normally as the result of inspection, refer to “General Diagnostic Table” of the “KEYLESS ACCESS WITH PUSH BUTTON START SYSTEM (DIAGNOSTICS)” section. <Ref. to KPS(diag)-86, KEYLESS ACCESS SYSTEM, INSPECTION, General Diagnostic Table.>