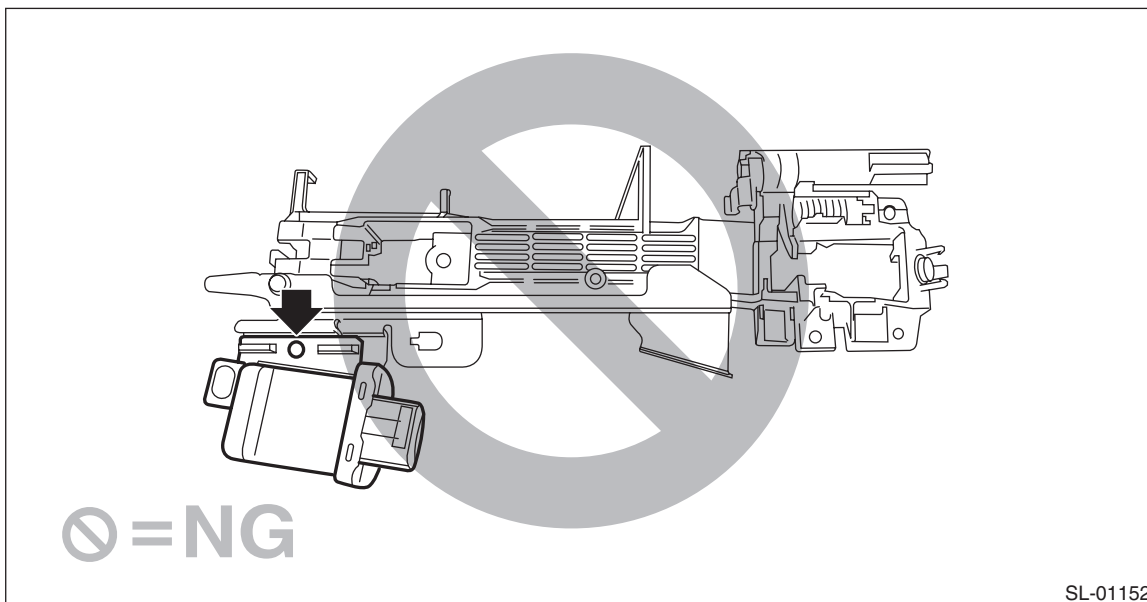


35.Oscillator

A: REMOVAL

CAUTION:

The oscillator is integrated with the front door outer handle frame assembly.
Do not detach the oscillator from the front door outer handle frame assembly.
If it requires replacement, replace the entire front outer handle frame assembly.



To remove the front door outer handle frame assembly, refer to the removal of front outer handle. <Ref. to SL-37, REMOVAL, Front Outer Handle.>

B: INSTALLATION

Install each part in the reverse order of removal.

C: INSPECTION

- 1) Check the range by performing Keyless access system check using the Subaru Select Monitor.
- 2) Disconnect the Subaru Select Monitor. Operate the touch sensor of the door outer handle to check if the door unlock functions normally.
- 3) If the system does not operate normally as the result of inspection, refer to "General Diagnostic Table" of the "KEYLESS ACCESS WITH PUSH BUTTON START SYSTEM (DIAGNOSTICS)" section. <Ref. to KPS(diag)-86, KEYLESS ACCESS SYSTEM, INSPECTION, General Diagnostic Table.>