

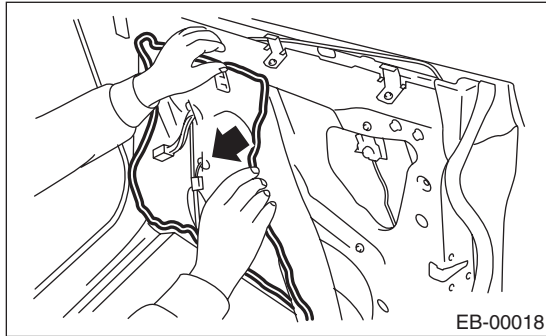
9. Front Outer Handle

A: REMOVAL

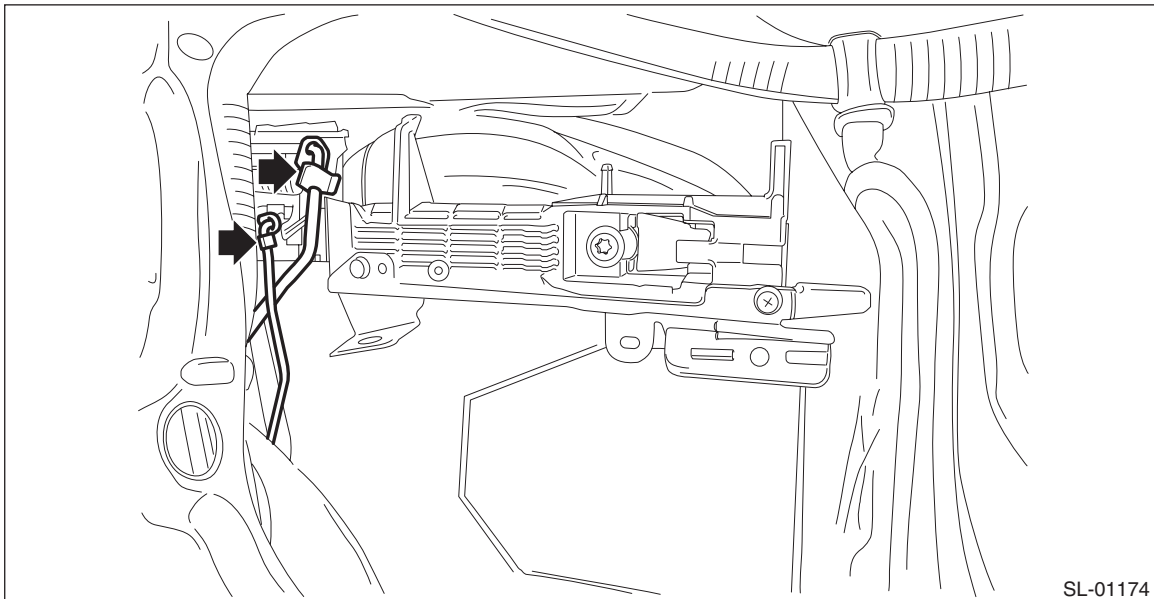
- 1) Raise the front door glass to the top position.
- 2) Remove the front door trim. <Ref. to EI-59, FRONT DOOR, REMOVAL, Door Trim.>
- 3) Remove the sealing cover.

CAUTION:

- Carefully remove the butyl tape. Excessive force will easily break the cover.
- If the sealing cover gets broken, replace it with a new part.



- 4) Remove the rod from the outer handle rod clamp.



Front Outer Handle

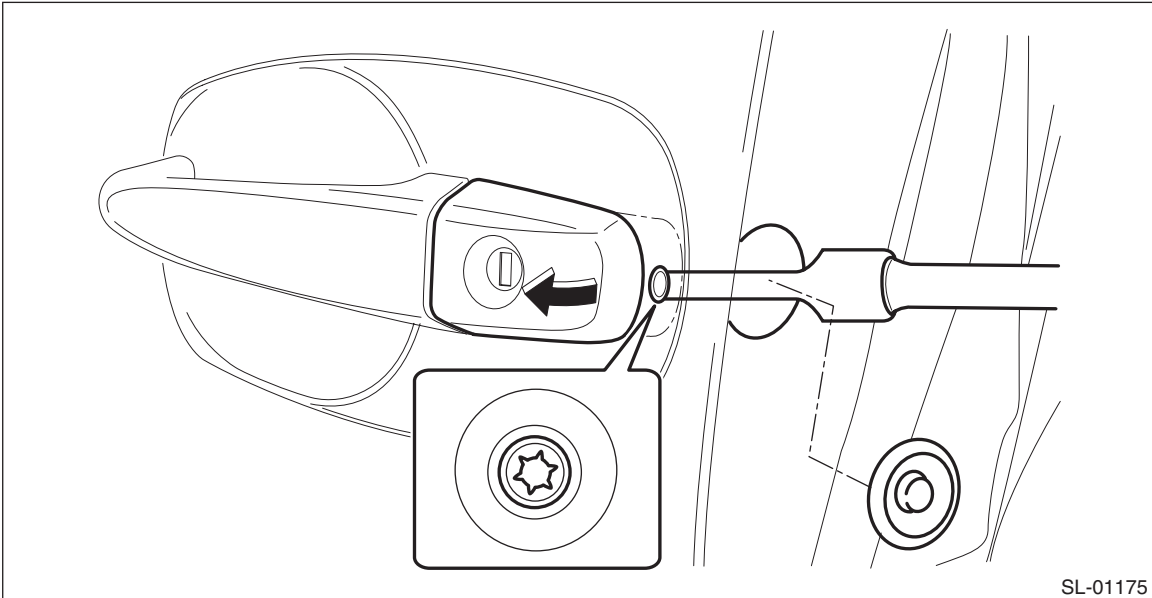
SECURITY AND LOCKS

5) Remove the door outer handle cover.

Preparation tool:

TORX® T30

- (1) Remove the plug to the rear of the door panel.
- (2) Loosen the TORX® bolt and remove the door outer handle cover.

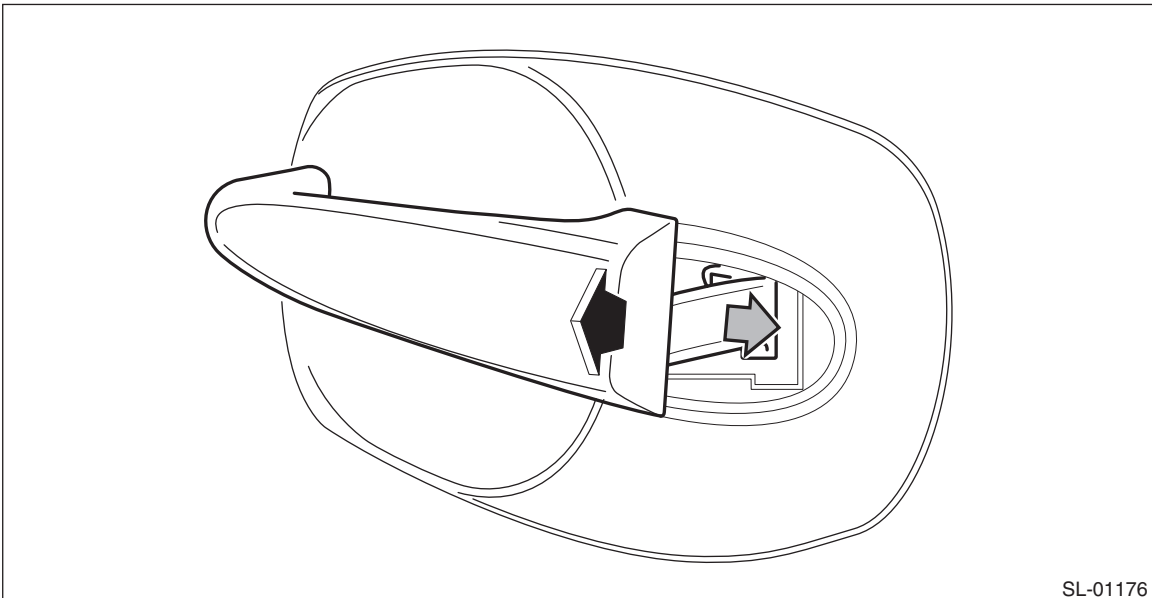


6) Remove the front outer handle.

CAUTION:

Do not apply excessive force to remove the handle from the door panel. The door panel may become deformed.

- (1) On models with keyless access, disconnect the connectors.
- (2) Move the front outer handle towards the rear, and remove the front outer handle.

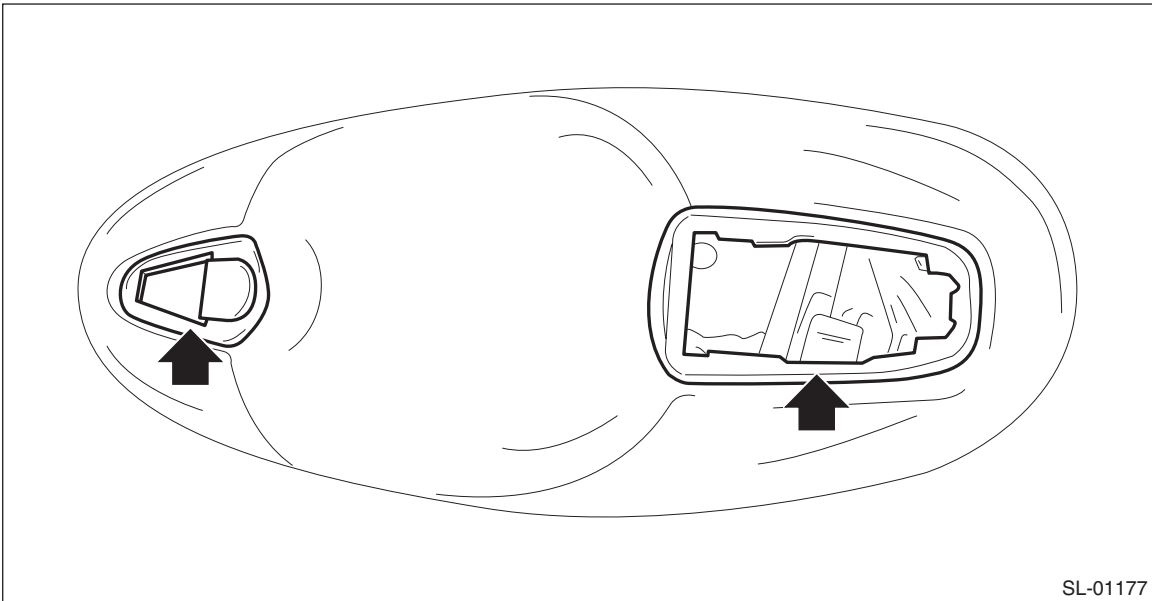


7) Remove the frame assembly.

Preparation tool:

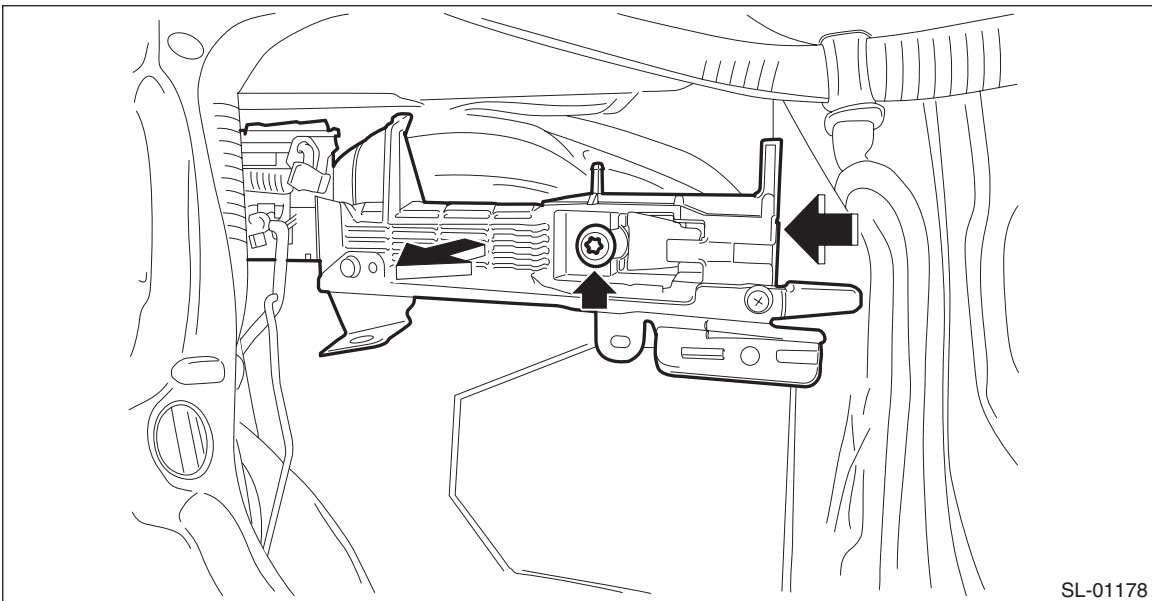
TORX® T30

(1) Remove the outer side spacer.



SL-01177

(2) Loosen the TORX® bolt and remove the frame assembly from the door panel.



SL-01178

B: INSTALLATION

1) Before installation, check the following items.

- Rod is free from deformation.
- Grease is applied sufficiently to rod joints.

If grease is insufficient, add it as necessary before assembling the rod.

2) Install each part in the reverse order of removal.

Tightening torque:

Refer to "COMPONENT" of "General Description". <Ref. to SL-2, DOOR LOCK ASSEMBLY, COMPONENT, General Description.>

Front Outer Handle

SECURITY AND LOCKS

C: INSPECTION

1) Check if the front outer handle operates normally.

- If the lever is faulty, replace the front outer handle.
- If the rod is deformed, replace the front door latch & door lock actuator assembly.

2) For model with keyless access system, check that keyless access function operates normally.

If the system does not operate normally, refer to KEYLESS ACCESS WITH PUSH BUTTON START SYSTEM (DIAGNOSTICS). <Ref. to KPS(diag)-86, KEYLESS ACCESS SYSTEM, INSPECTION, General Diagnostic Table.>