

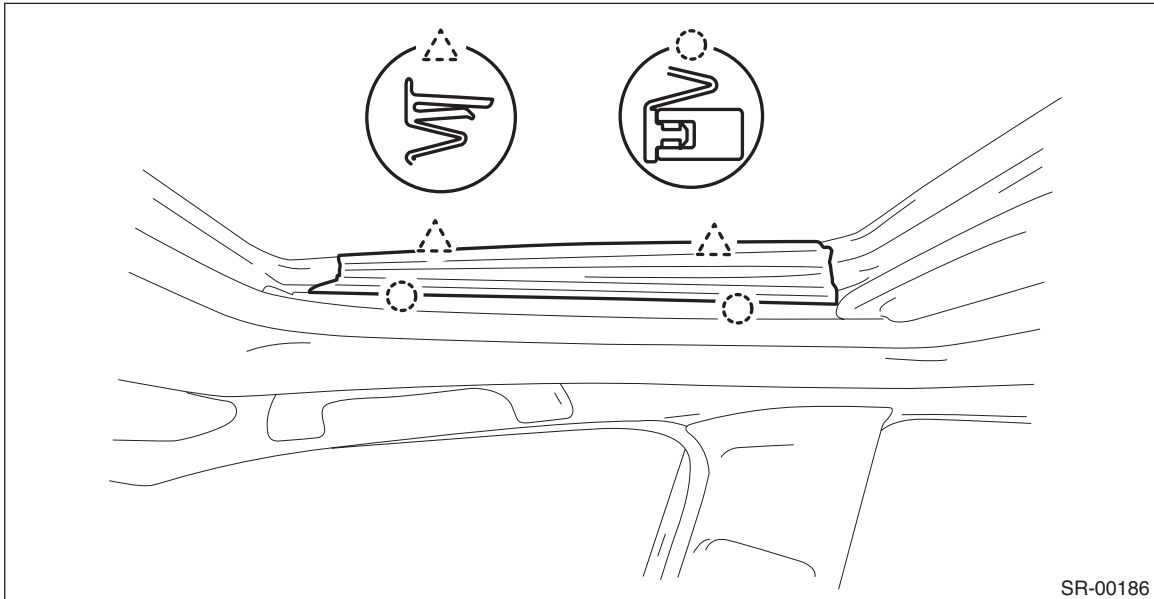
Glass Lid

SUNROOF/T-TOP/CONVERTIBLE TOP (SUNROOF)

4. Glass Lid

A: REMOVAL

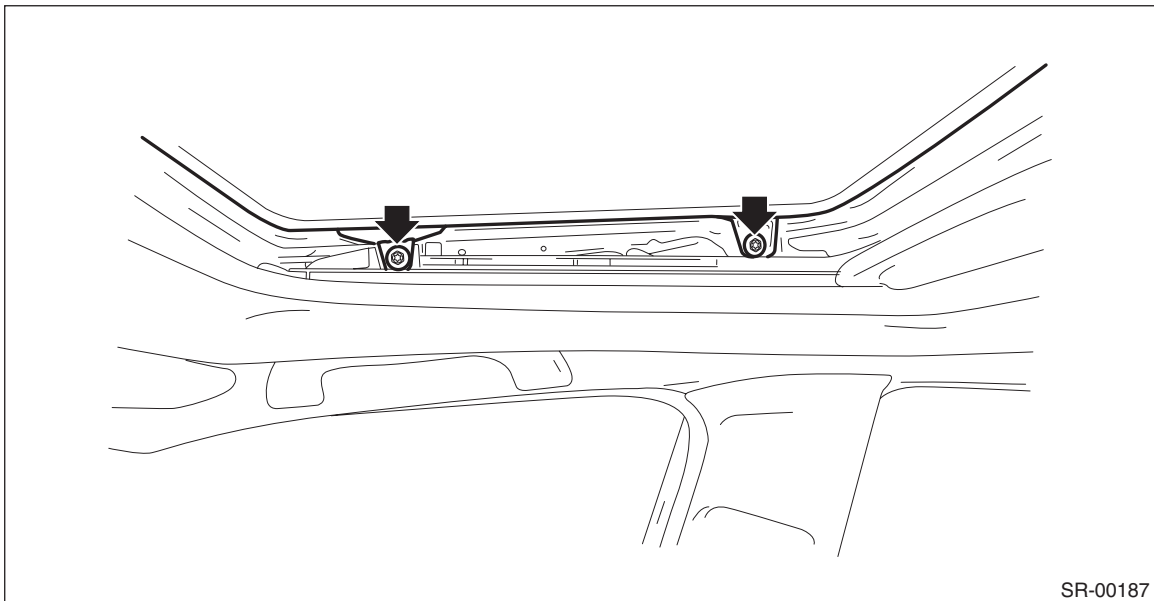
- 1) Completely close the glass lid, and then open the sunshade.
- 2) Disconnect the claws and then remove the lid cover.



- 3) Remove the bolts, then remove the glass lid.

CAUTION:

Be careful not to damage the glass lid.



Glass Lid

SUNROOF/T-TOP/CONVERTIBLE TOP (SUNROOF)

B: INSTALLATION

Install each part in the reverse order of removal.

Tightening torque:

Refer to "COMPONENT" of "General Description". <Ref. to SR-2, COMPONENT, General Description.>

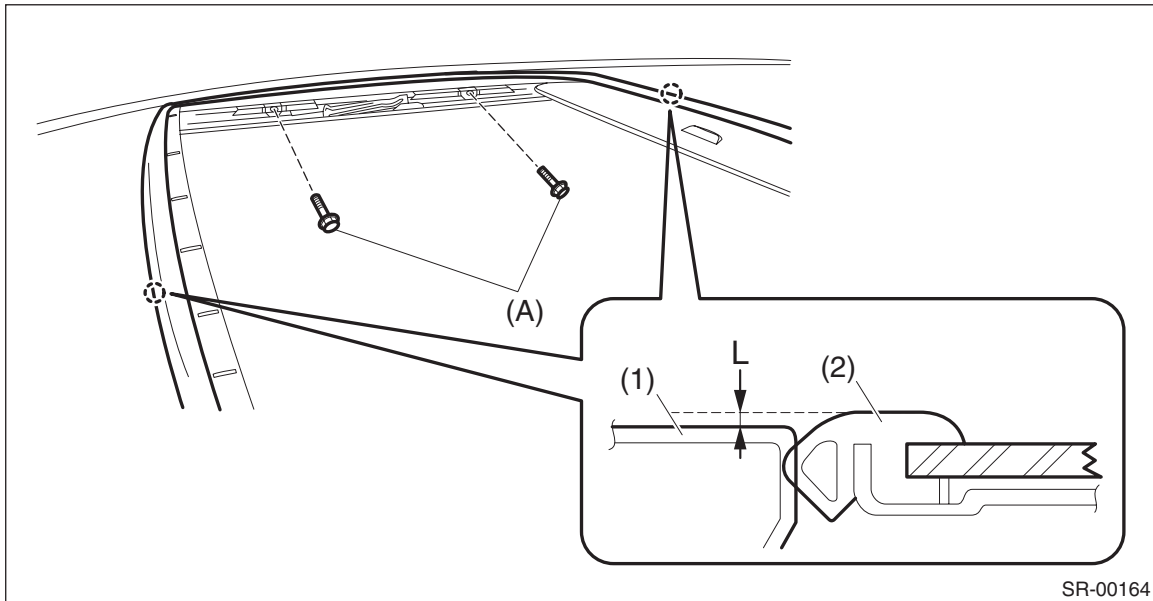
C: ADJUSTMENT

Adjust the height of the glass lid and roof panel.

- Loosen the glass lid mounting bolts (A), and then adjust the height with moving the lid side.

Difference in height between weather strip and roof panel L:

0 ± 1.0 mm (0 ± 0.04 in)



SR-00164

(1) Roof panel

(2) Weather strip

Glass Lid

SUNROOF/T-TOP/CONVERTIBLE TOP (SUNROOF)

D: FORCED DRIVE

If the glass lid does not operate or the sunroof motor is not supplied with power, move the glass lid using the hexagon wrench.

Width across flat 5 mm (0.20 in)

CAUTION:

After a forced operation, make sure to perform an initialize operation. <Ref. to SR-5, INITIALIZE OPERATION, OPERATION, Sunroof Control System.>

- 1) Remove the spot map light. (Models without EyeSight) <Ref. to LI-65, REMOVAL, Spot Map Light.>
- 2) Remove the stereo camera cover. (Models with EyeSight) <Ref. to ES-8, REMOVAL, Stereo Camera.>
- 3) Insert the hexagon wrench securely until it touches the motor shaft end.
- 4) Turn the hexagon wrench, and move the glass lid.
 - Turning right, the glass lid open.
 - Turning left, the glass lid close.

CAUTION:

Be careful not to damage the adjacent parts with the rod end when moving the glass lid with the hexagon wrench.

