

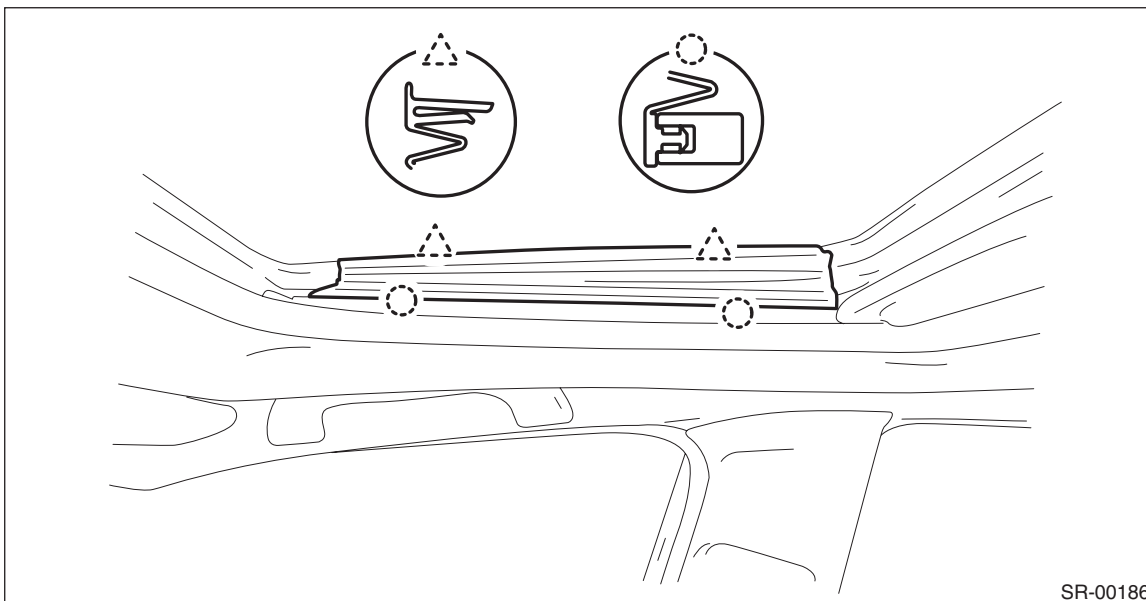
## 5. Sunroof Assembly

### A: REMOVAL

#### CAUTION:

When removing the clip, use great care not to damage the roof trim.

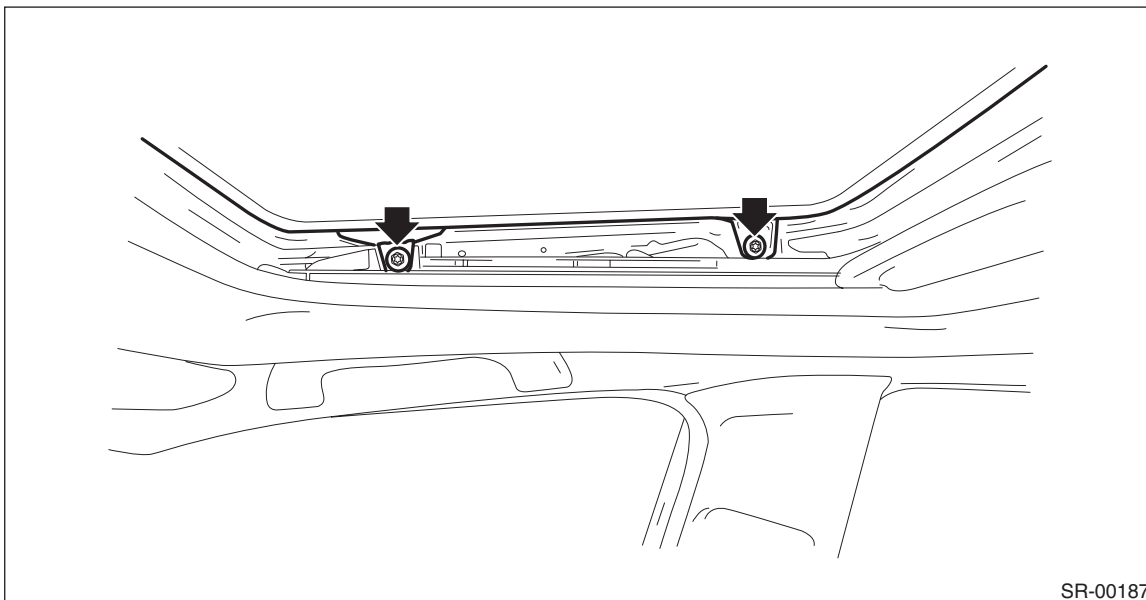
- 1) Remove the glass lid.
  - (1) Completely close the glass lid, and then open the sunshade.
  - (2) Disconnect the claws and then remove the lid cover.



- (3) Remove the bolts, then remove the glass lid.

#### CAUTION:

Be careful not to damage the glass lid.

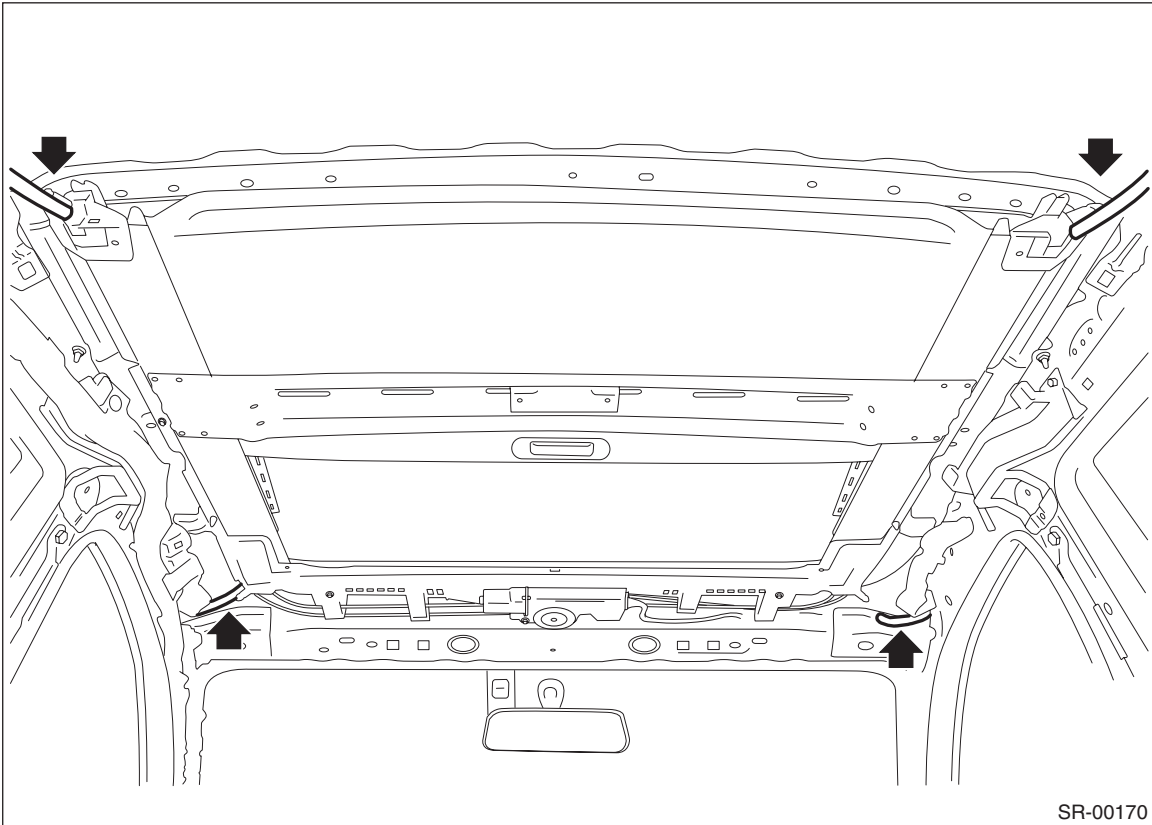


- 2) Remove the roof trim. <Ref. to EI-134, REMOVAL, Roof Trim.>
- 3) Disconnect the sunroof motor connector.

# Sunroof Assembly

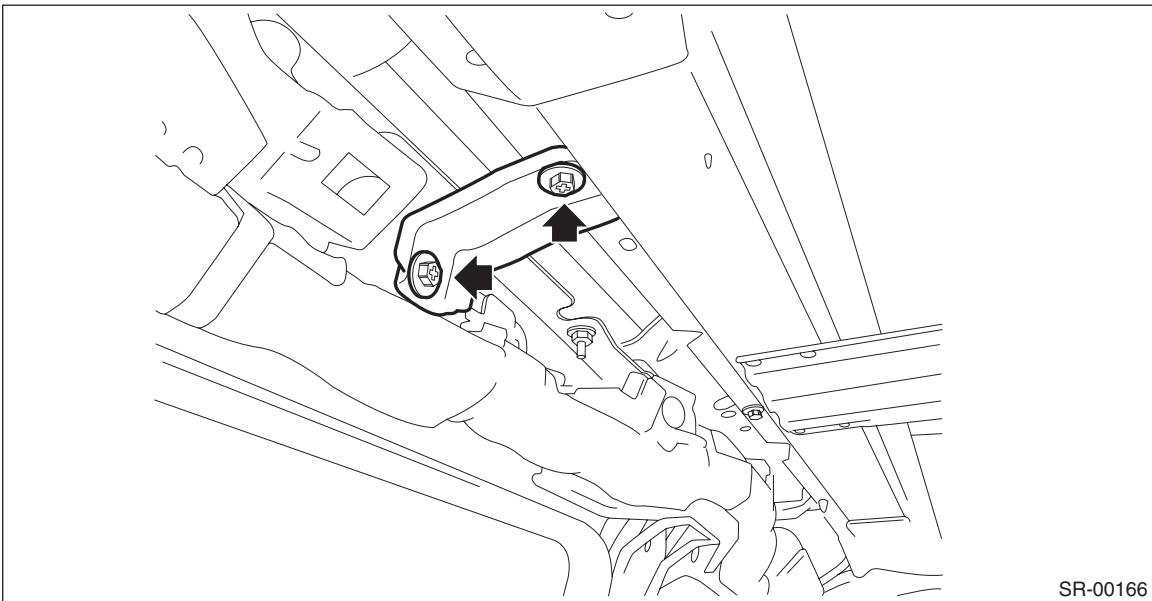
## SUNROOF/T-TOP/CONVERTIBLE TOP (SUNROOF)

- 4) Remove the frame assembly.
  - (1) Remove the drain tube.



SR-00170

- (2) Remove the bolts and then remove the sunroof bracket.

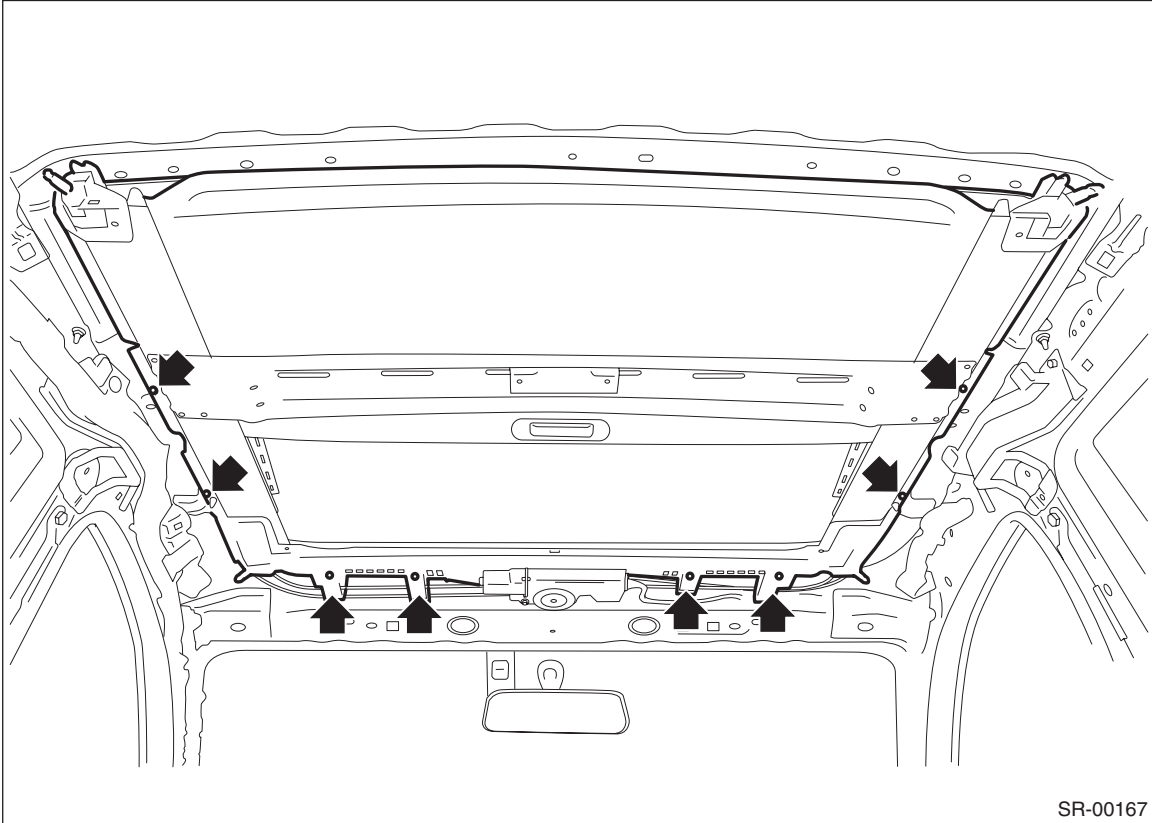


SR-00166

# Sunroof Assembly

SUNROOF/T-TOP/CONVERTIBLE TOP (SUNROOF)

(3) Remove the bolts, then remove the frame assembly.



# Sunroof Assembly

SUNROOF/T-TOP/CONVERTIBLE TOP (SUNROOF)

## B: INSTALLATION

### CAUTION:

Be careful not to snag the harness.

Install each part in the reverse order of removal.

### Tightening torque:

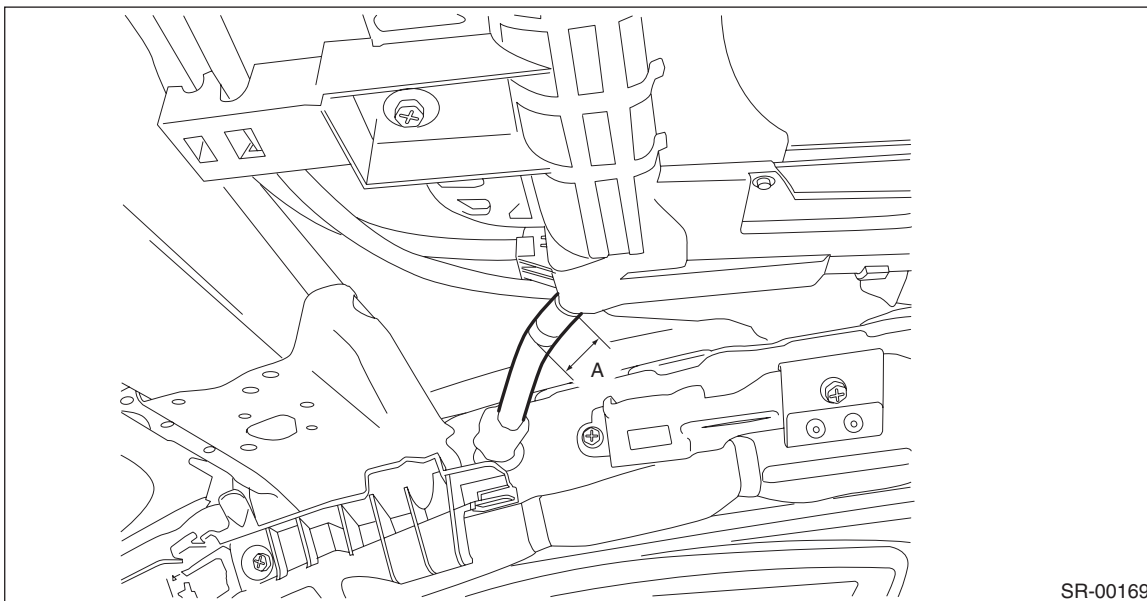
Refer to "COMPONENT" of "General Description". <Ref. to SR-2, COMPONENT, General Description.>

### NOTE:

- Be sure to connect the harness connector.
- When installing the drain tube, insert it securely into drain pipe.

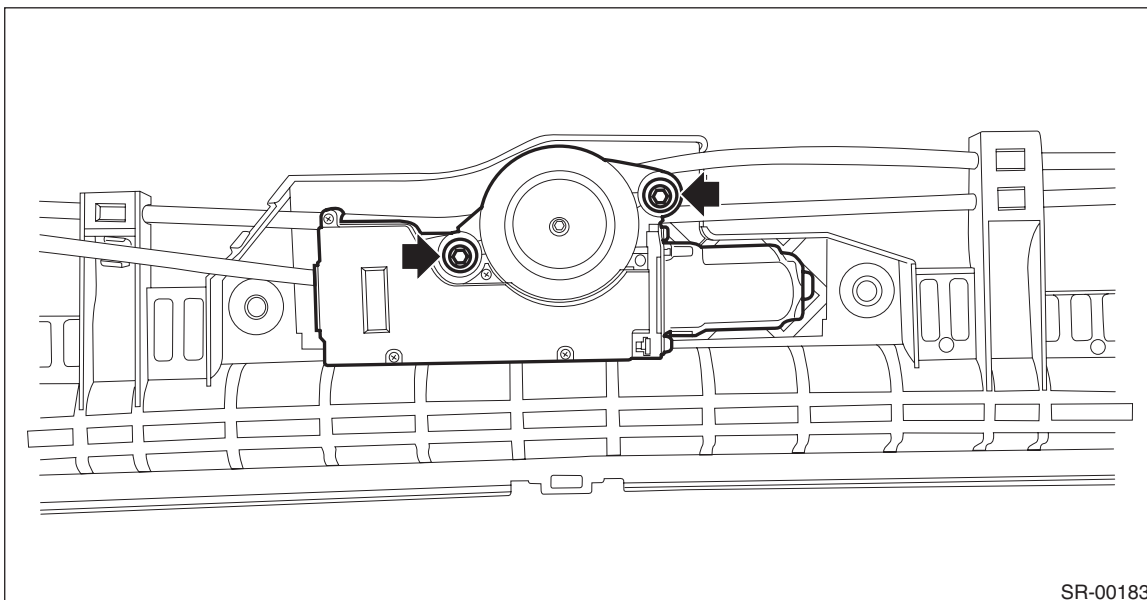
### Length A:

15 mm (0.59 in) or more



## C: DISASSEMBLY

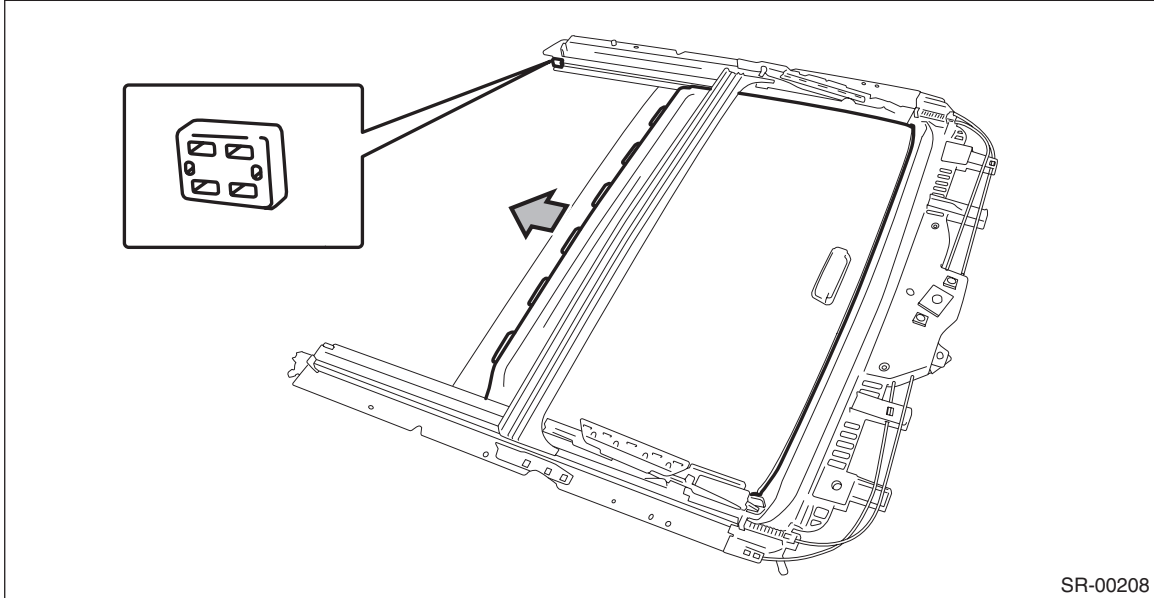
- 1) Remove the bolts and then remove the sunroof motor.



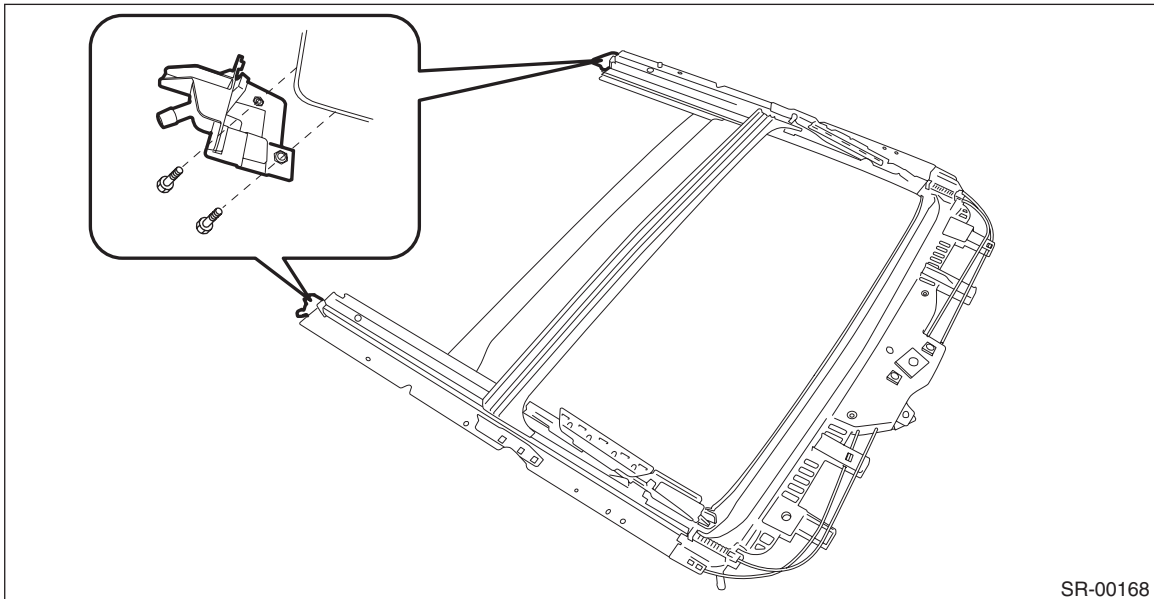
# Sunroof Assembly

SUNROOF/T-TOP/CONVERTIBLE TOP (SUNROOF)

- 2) Remove the stopper rubber and pull out the sunshade from sunroof frame.



- 3) Remove the sunroof cable assembly.  
(1) Remove the screw and remove the drain holder.

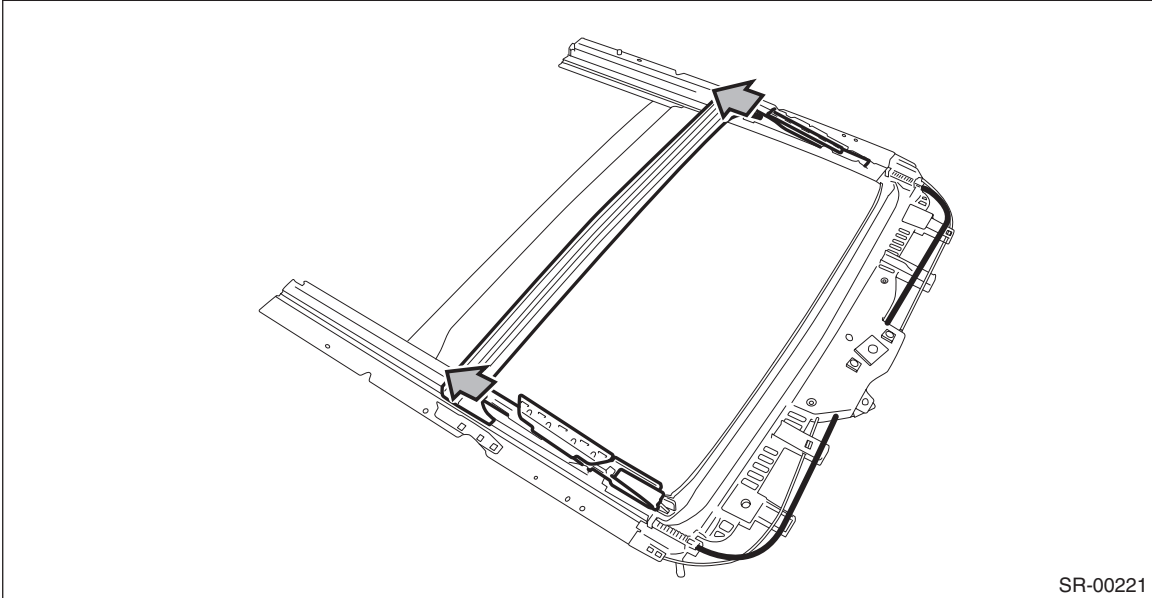


# Sunroof Assembly

SUNROOF/T-TOP/CONVERTIBLE TOP (SUNROOF)

---

(2) Pull out the sunroof cable assembly from the frame roof assembly.



## D: ASSEMBLY

Install each part in the reverse order of removal.