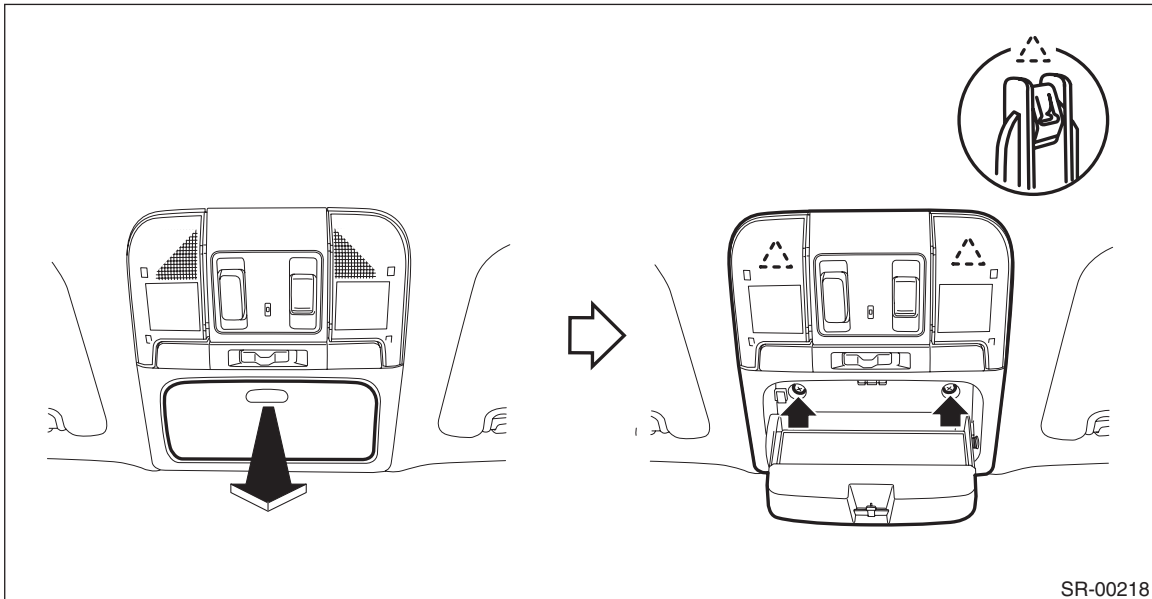


6. Sunroof Motor

A: REMOVAL

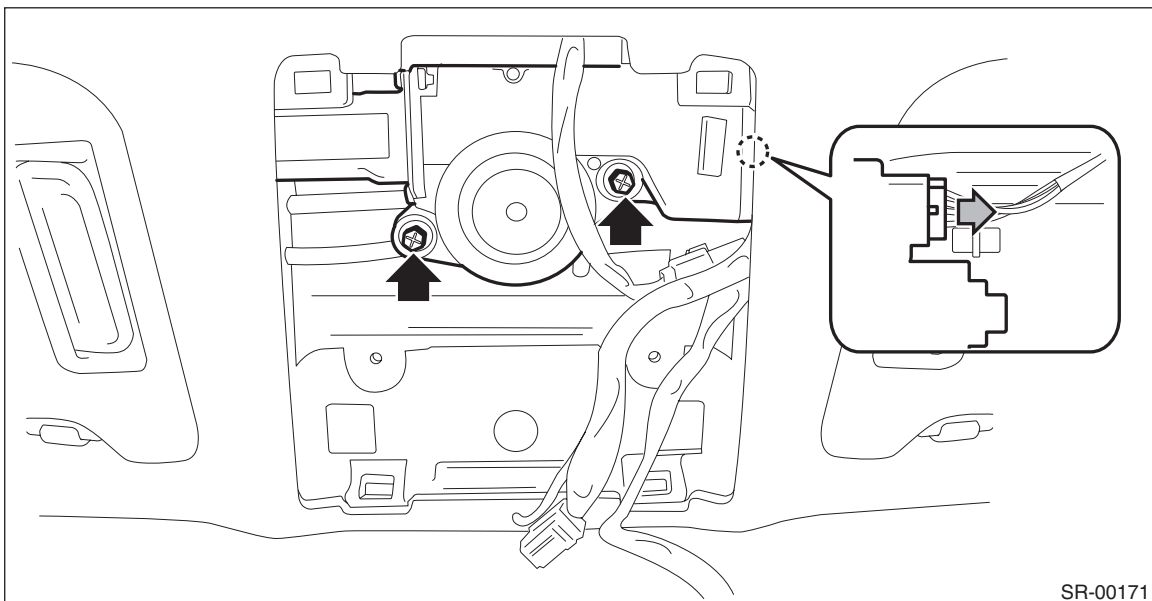
- 1) Completely close the glass lid.
- 2) Disconnect the ground cable from battery.
- 3) Remove the overhead console. (Models without EyeSight)
 - (1) Push and open the rear end of the overhead console lid, and remove the screws.
 - (2) Remove the clips and pull out the overhead console to disconnect the connectors.



- 4) Remove the stereo camera cover. (Models with EyeSight) <Ref. to ES-8, REMOVAL, Stereo Camera.>
- 5) Remove the sunroof motor assembly.
 - (1) Disconnect the connector.
 - (2) Remove the bolts and remove the sunroof motor assembly.

CAUTION:

When removing the motor assembly, secure the cable wires so that it does not move.



Sunroof Motor

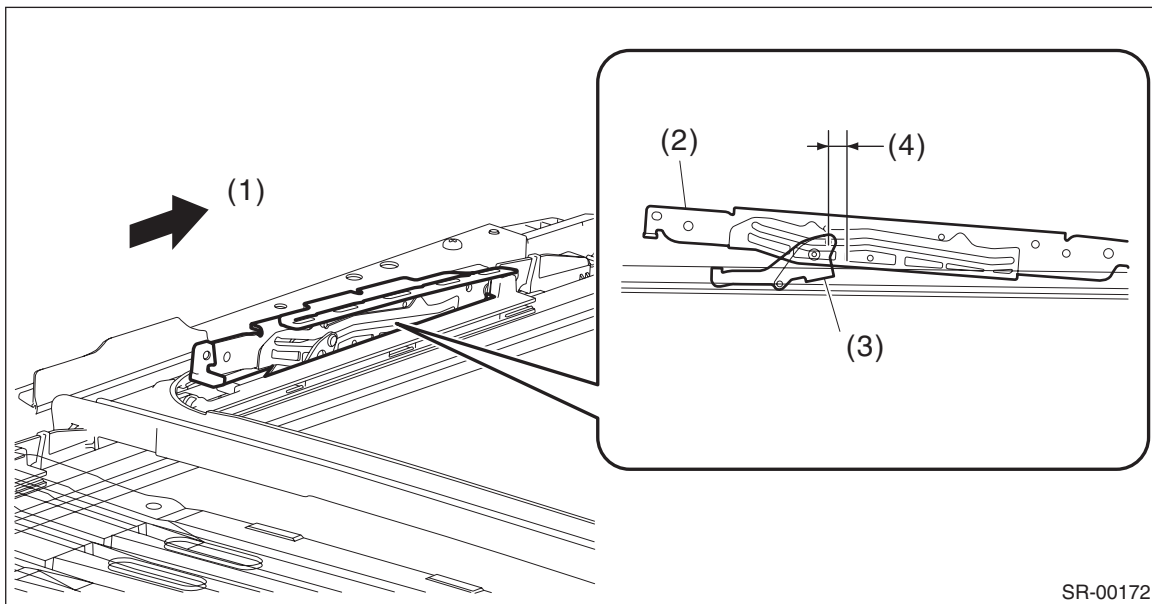
SUNROOF/T-TOP/CONVERTIBLE TOP (SUNROOF)

B: INSTALLATION

CAUTION:

When installing the motor assembly, be careful not to move the sunroof cable.

1) Align the lid bracket and link assembly in the same position.



- (1) Front
 (2) Lid bracket
 (3) Link ASSY
 (4) 8.9 mm (0.35 in)

2) Install the sunroof motor assembly.

3) Install the spot map light, and connect the ground cable to the battery.

4) Perform the initialize operation. <Ref. to SR-5, INITIALIZE OPERATION, OPERATION, Sunroof Control System.>

5) Check the operation of sunroof with following table below.

Operation	Switch position
(1) Glass lid closes completely.	Close
(2) Glass lid tilt up to the top position.	Tilt up
(3) Glass lid closes completely.	Tilt down
(4) Glass lid opens 291 mm (11.46 in) away from completely closed position. (OUTBACK model)	Open
(5) Glass lid opens completely.	Open
(6) Glass lid closes completely.	Close

C: INSPECTION

Check the auto-reverse mechanism.

CAUTION:

Do not place objects in the way to check the auto-reverse mechanism.

1) Open the glass lid.

2) Forcefully push the glass lid in the opening direction while auto-closing, to check whether the window auto-reverse mechanism functions.

NOTE:

- The auto-function is cancelled when the window auto-reverse mechanism is activated more than five times.
- If the auto function is cancelled, reset it. <Ref. to SR-5, OPERATION, Sunroof Control System.>