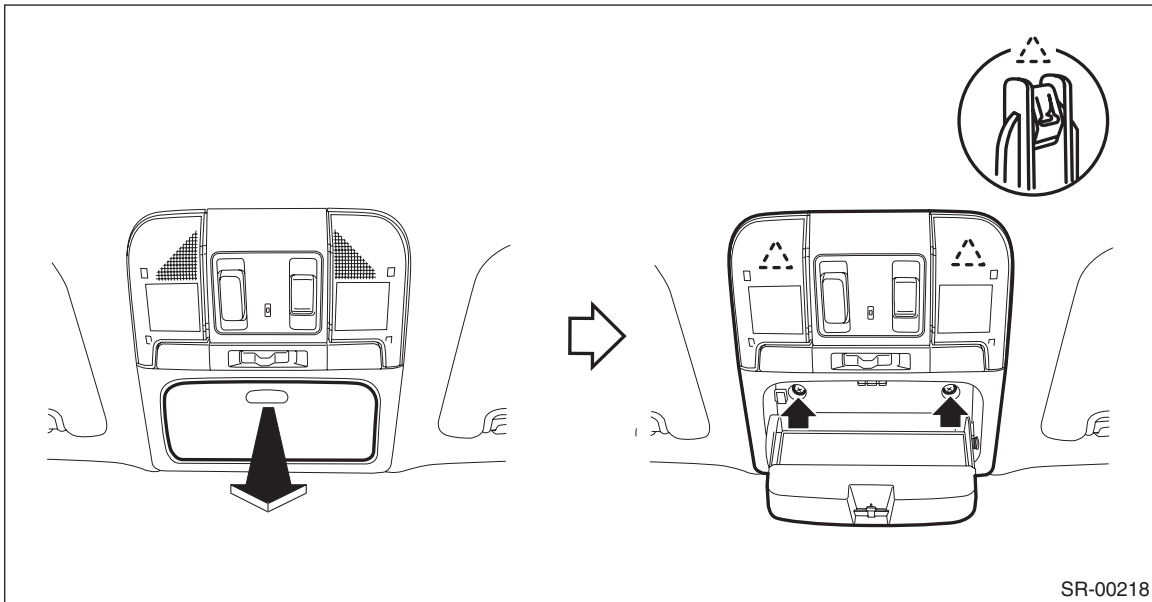


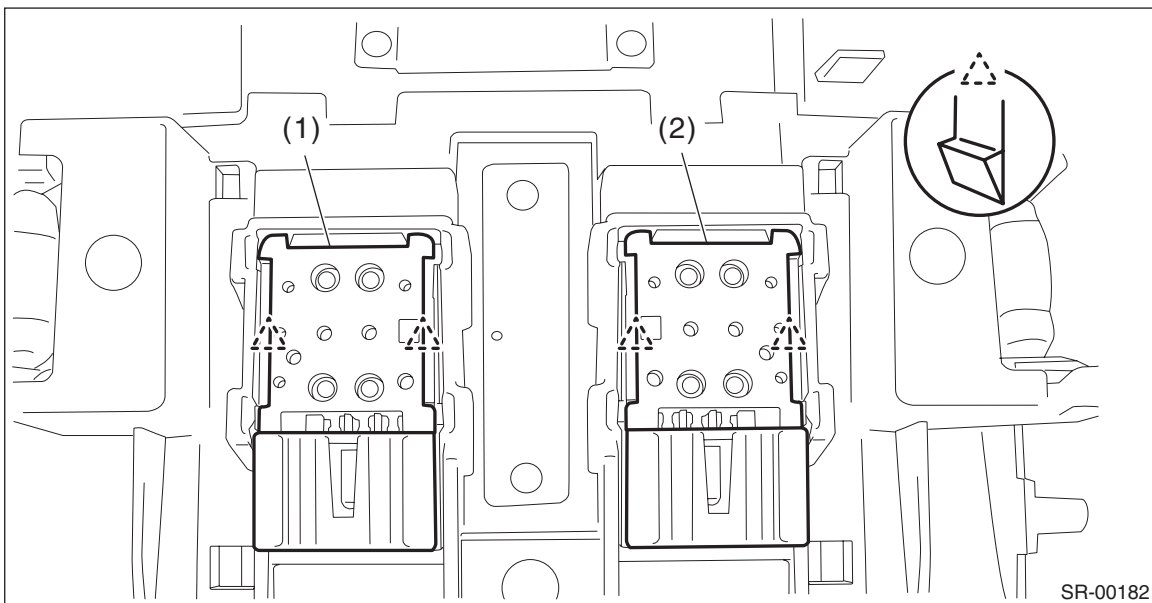
## 7. Sunroof Switch

### A: REMOVAL

- 1) Disconnect the ground cable from battery.
- 2) Remove the overhead console. (Models without EyeSight)
  - (1) Push and open the rear end of the overhead console lid, and remove the screws.
  - (2) Remove the clips and pull out the overhead console to disconnect the connectors.



- 3) Remove the stereo camera cover. (Models with EyeSight) <Ref. to ES-8, REMOVAL, Stereo Camera.>
- 4) Release the claws and remove the sunroof switch from the overhead console.



(1) Sunroof switch (tilt)

(2) Sunroof switch (slide)

### B: INSTALLATION

Install each part in the reverse order of removal.

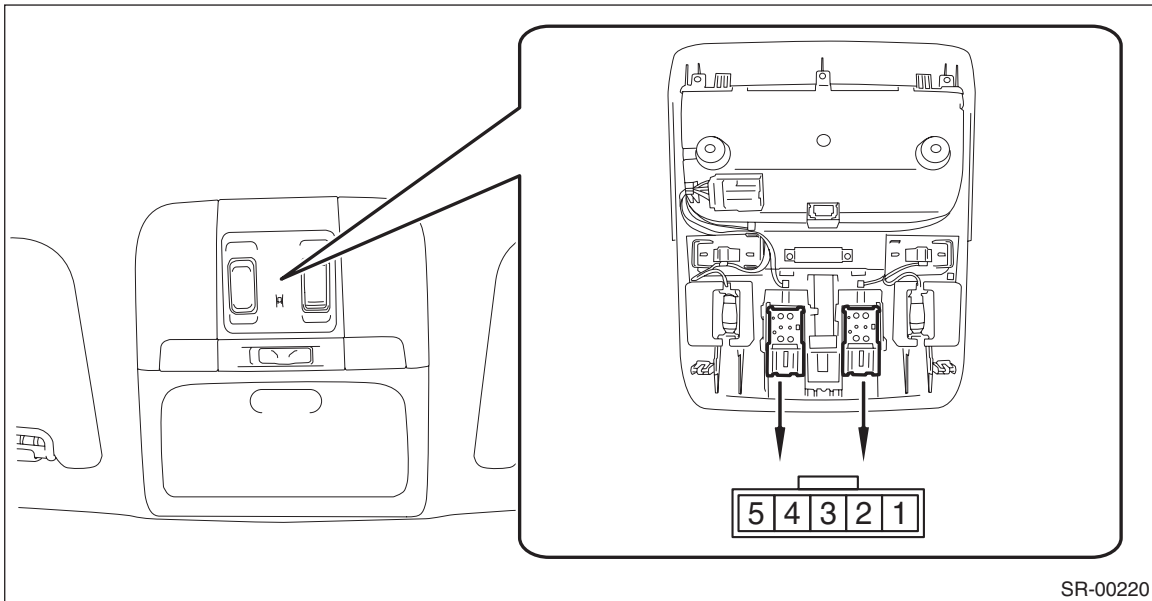
# Sunroof Switch

SUNROOF/T-TOP/CONVERTIBLE TOP (SUNROOF)

## C: INSPECTION

- 1) Remove the overhead console. (Models without EyeSight)
- 2) Remove the stereo camera cover. (Models with EyeSight) <Ref. to ES-8, REMOVAL, Stereo Camera.>
- 3) Check the resistance between sunroof switch terminals.

**Preparation tool: Circuit tester**



Terminal No.	Inspection conditions	Standard	Connector No.
1 — 3	Open	Less than 1 $\Omega$	R128
4 — 3	Close	Less than 1 $\Omega$	
1 — 3	Tilt down	Less than 1 $\Omega$	R187
4 — 3	Tilt up	Less than 1 $\Omega$	

- 4) Replace the sunroof switch if the inspection result is not within the standard value.